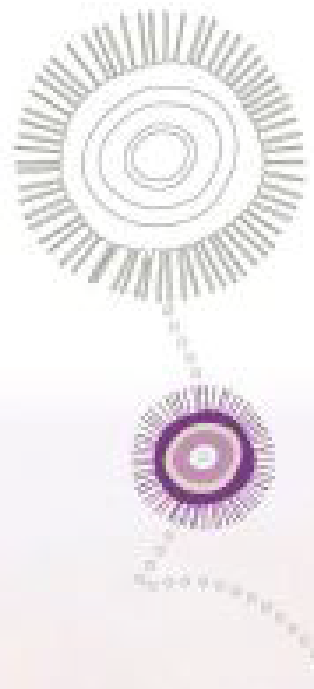


we grow with you



School furniture

MOBeduc

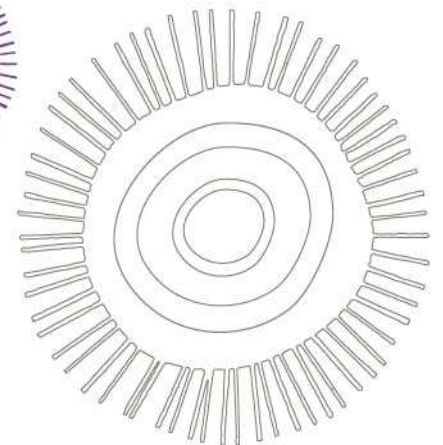
We would like to thank you for your interest in our company, products and solutions.

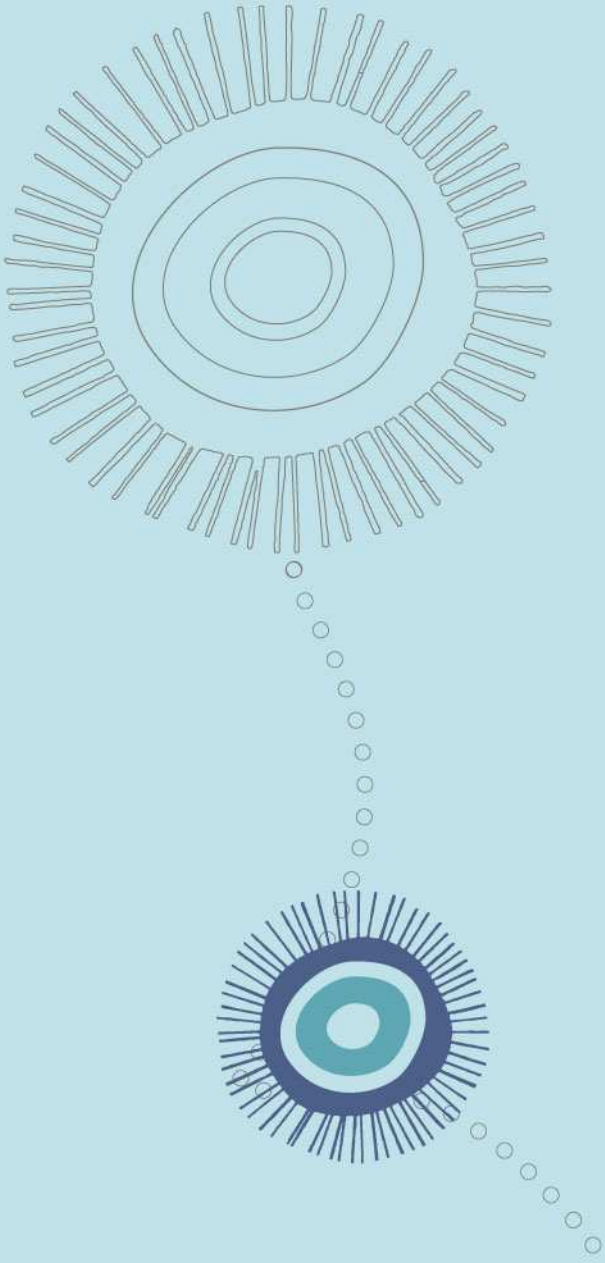
MOBeduc produces the best product on the market for nursery and primary school. But our philosophy goes far beyond this idea, our philosophy is reflected in everything we do: for us primary education is our challenge and we must protect and care for it.

On our catalog you will find a collection of high quality articles (around 200 products), and also solutions that will allow you to give the best answer to all your needs of space and use. We are prepared to develop and produce your taylor-made furniture.

We invite you to have a look to all the information written on this catalog, and, in case you need further information, do not hesitate to contact us.

THANKS







Commitment

TECNALIA, Technological Center specialized in furniture, has certified with a stamp of quality all the articles made by **MOBeduc**.

For the concession of this mentioned stamp of quality, TECNALIA has submitted all the materials (raw materials and finished product) to safety and strength tests.

Due to the result of these analyses, TECNALIA certifies that **MOBeduc**'s furnitures comply with all the standards and specifications for infantile and school furniture and that these furnitures have reached maximum levels of quality and safety.



MOBeduc is committed to sustainable development and environmental protection, by the granting of the UNE-EN ISO 14001 "Environmental Management System", which ensures minimal environmental impact, reducing consumption energy and raw materials, improving the management of waste from the production process and optimize the management of the company.



We take care for your privacy and your data. We will never give your data to third parties as we comply with all requirements of Law 15/1999.



Our company

MOBeduc, located in Navarra (Spain) is a company with a great experience on the nursery and primary market selling in Spain through our splendid commercial network. Our company will take care of you with the maximum professionalism.



Our general target is the market for nursery and school at all ages, although we are specialised at ages from 0 to 6 years where the quality requirements are harder.

We are able to provide you customised solutions. Why does our company provide customised solutions? Due to the fact that all the needs are different; so that means that for each need must be a different solution that we can give to you. We study and analyze that each of our product is efficient according to your needs. It is always cheaper, useful and more satisfactory to have a logical solution.

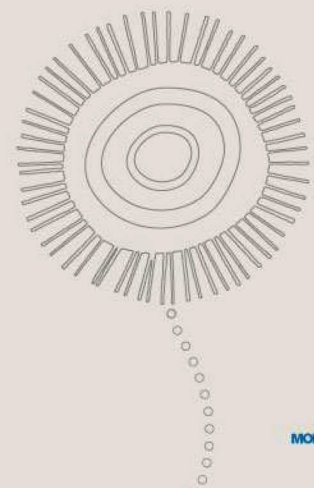


MOBeduc has been working for a long of time in the area of Research and Development to improve our solutions to your needs. We have three divisions:

- Advice.
- Standard Furniture.
- Taylor made Furniture.

First we analyze your needs, later we advise and propose you the suitable solutions. We can find these solution on our standard furniture brochure (around 200 articles) or through our taylor made furniture. In any case, **MOBeduc** will find the best furniture solution.

Because we produce our furniture according to pedagogical concepts.



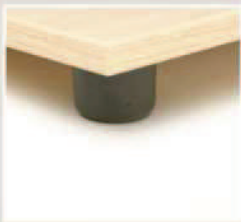
Our technical characteristics

All **MOBeduc** furniture is manufactured from easy clean 19 mm beech melamine faced particleboard chipboard with 2 mm PVC edging on all facing edges in different colours.

MOBeduc furniture has no sharp edges making it extra safe for children.

Feets and castors

We offer feets in two different heights: 4 cm and 8 cm high, both with a diameter of 4 cm. All our feets are made from back PVC.



◀ Height adjustable feets are available for uneven floors and surfaces.



◀ Castors are either fixed or swivel with brake options.

Colours

We offer a wide range of colours to give your personal touch to our furniture.

Door handles

Door handles are made in a flexible soft polymer to prevent children to be hurt when falling.



*Optional lock on all the doors of our furniture



Plastic coat hook

We can provide our clients with fixed and revolving hooks.



← Fixed hook



← Revolving hook

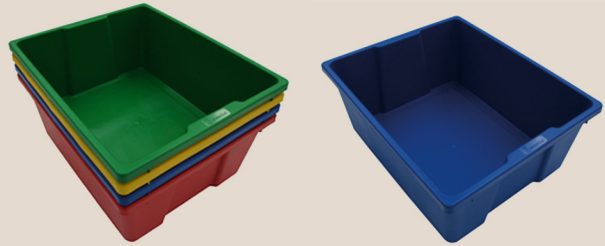


Trays

Plastic trays can supply in two different heights and with a wide range of colors. All our furniture trays have the option to combine both trays either.



Ref. 800887



Ref. 800888

Shelves

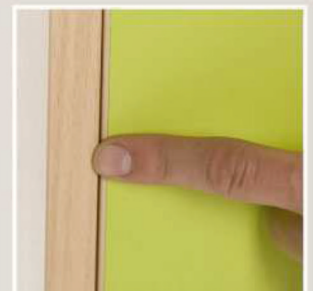
Our wardrobes have adjustable shelves attached to the sides by special fixings capable of sustaining horizontal stress.

The height of the shelves can be changed by altering the position of the fixing points.

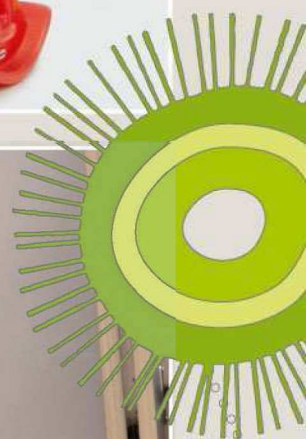


Anti-finger trap door

The hinges are hung inside the wardrobe to prevent finger trapping for maximum safety.



Heights





Services



Transport

Delivery service is available through international transport companies. We compromise that your order will arrive with the maximum guarantee and security.

Guaranteed after sales

Our products have 5 year warranty, except damage caused by bad use or malicious damage.

We have no limitations on the replenishment of materials, and we can guarantee, almost for life, that you will have all those replacement or substitute materials you need.

Customer service

The priority aim is you.

We want to give you solutions in order that your new installation on your Primary School would be of maximum efficiency and performance. To achieve this, we offer all our technical and commercial support to prepare the best project for your school with the best solutions.

Once we finish your installation, we keep our communication with you as we still have many things to talk about. We count on you.

OUR FURNITURE	10
CLASSROOM FURNITURE	10
Super low furniture (H 42cm)	11
Low furniture (H 76,5cm)	26
Intermedium size furniture (H 112cm)	45
Medium size furniture (H 147cm)	65
High furntiture (H 180cm)	83
Folding tables	90
TEACHERS DESKS	92
FURNITURE FOR BABIES (0-1 YEARS)	96
FURNITURE FOR HYGIENE	99
FURNITURES FOR OTHERS PURPOSES	114
IDENTITY AREA FURNITURE	145
SYMBOLIC GAME FURNITURE	154
FURNITURE FOR AUDIO EQUIPMENT	162
LOCKERS	167
FURNITURE FOR LIBRARY	183
FURNITURE FOR PAINTING	197
FURNITURE FOR PLAYING	214

Classroom furniture

1

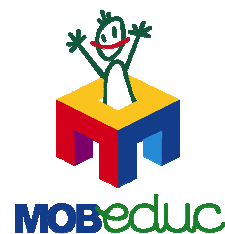
Un gran diseño para los más pequeños



MOBeduc

Classroom furniture

Super low vertical storage furniture - 1 compartment



www.mobeduc.com



Ref.: 600108

Super low vertical storage furniture, 1 compartment. Manufactured from 19 mm beech melamine, except rear (10mm) and 2mm PVC edges, finished for both sides. We offer feet in two different heights: 4 cm and 8 cm high. Height adjustable feet are available for uneven floors and surfaces and also feet can be removed from the furniture.

Removable furniture with rounded edges to prevent cuts or wounds. Our furniture has no sharp edges making it extra safe for children

Assembly through sleeves with zoom system, ensuring solid and rigid union. Adjustable shelves attached to the sides by special fixings capable of sustaining stress.

MOBeduc complies with TECNALIA Certification (Safety & Quality standards) in the manufacture of nursery and primary furniture.

TECNALIA offers a global service to the furniture sector by testing and certifying the behaviour of finished furniture and of each of its components with the following methodology:

- Initial inspection of our system of production and control.
- Initial test about the type of product.
- Surveillance, monitoring and evaluation of the quality system.
- Test of raw materials using random samples.
- Test of finished product using random samples.



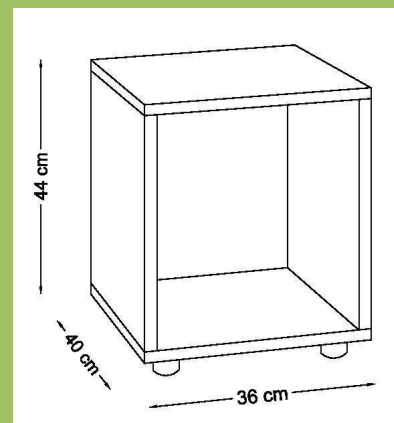
Colour of structure

Beech (E18) and white (E23).

Colour of the shelves and doors

Cherry red (E10), apple green (E13), lavender blue (E14), yellow (E17), beech (E18), orange (E19), dark blue (E20), dark green (E21), pink (E22) and white (E23).

Distributed by:

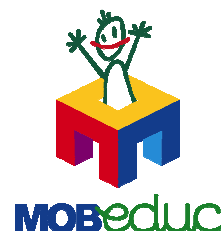


Measures

Width 36 cm. – Height 44 cm. – Depth 40 cm.

Classroom furniture

Super low vertical storage furniture - 2 compartments



www.mobeduc.com



Ref.: 600109

Super low vertical storage furniture, 2 compartment. Manufactured from 19 mm beech melamine, except rear (10mm) and 2mm PVC edges, finished for both sides. We offer feet in two different heights: 4 cm and 8 cm high. Height adjustable feet are available for uneven floors and surfaces and also feet can be removed from the furniture.

Removable furniture with rounded edges to prevent cuts or wounds. Our furniture has no sharp edges making it extra safe for children

Assembly through sleeves with zoom system, ensuring solid and rigid union. Adjustable shelves attached to the sides by special fixings capable of sustaining stress.

MOBeduc complies with TECNALIA Certification (Safety & Quality standards) in the manufacture of nursery and primary furniture.

TECNALIA offers a global service to the furniture sector by testing and certifying the behaviour of finished furniture and of each of its components with the following methodology:

- Initial inspection of our system of production and control.
- Initial test about the type of product.
- Surveillance, monitoring and evaluation of the quality system.
- Test of raw materials using random samples.
- Test of finished product using random samples.



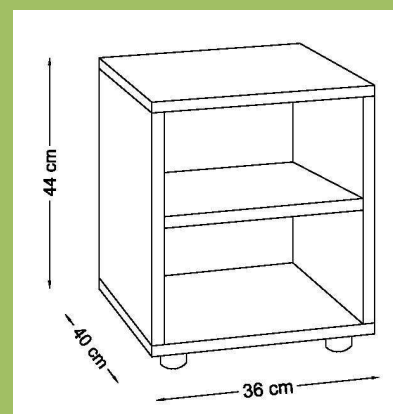
Colour of structure

Beech (E18) and white (E23).

Colour of the shelves

Cherry red (E10), apple green (E13), lavender blue (E14), yellow (E17), beech (E18), orange (E19), dark blue (E20), dark green (E21), pink (E22) and white (E23).

Distributed by:

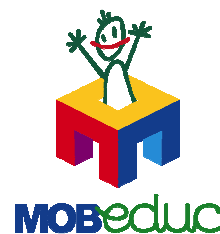


Measures

Width 36 cm. – Height 44 cm. – Depth 40 cm.

Classroom furniture

Reference 600109 with door



www.mobeduc.com



Ref.: 600110

Reference 600109 with door. Manufactured from 19 mm beech melamine, except rear (10mm), doors (16mm) and 2mm PVC edges, finished for both sides. We offer feet in two different heights: 4 cm and 8 cm high. Height adjustable feet are available for uneven floors and surfaces and also feet can be removed from the furniture.

Internal doors to prevent finger trapping for maximum safety and door handles are made in a flexible soft polymer to prevent children to be hurt when falling.

Removable furniture with rounded edges to prevent cuts or wounds. Our furniture has no sharp edges making it extra safe for children

Assembly through sleeves with zoom system, ensuring solid and rigid union. Adjustable shelves attached to the sides by special fixings capable of sustaining stress.

MOBeduc complies with TECNALIA Certification (Safety & Quality standards) in the manufacture of nursery and primary furniture.

TECNALIA offers a global service to the furniture sector by testing and certifying the behaviour of finished furniture and of each of its components with the following methodology:

- Initial inspection of our system of production and control.
- Initial test about the type of product.
- Surveillance, monitoring and evaluation of the quality system.
- Test of raw materials using random samples.
- Test of finished product using random samples.



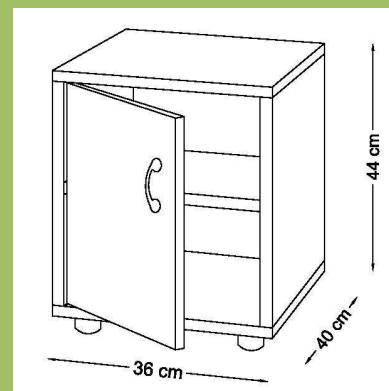
Colour of structure

Beech (E18) and white (E23).

Colour of the shelves and door

Cherry red (E10), apple green (E13), lavender blue (E14), yellow (E17), beech (E18), orange (E19), dark blue (E20), dark green (E21), pink (E22) and white (E23).

Distributed by:

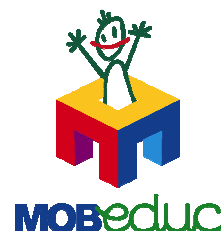


Measures

Width 36 cm. – Height 44 cm. – Depth 40 cm.

Classroom furniture

Super low storage furniture – 2 horizontal compartments



www.mobeduc.com



Ref.: 600101

Super low storage furniture, 2 horizontal compartments. Manufactured from 19 mm beech melamine, except rear (10mm) and 2mm PVC edges, finished for both sides. We offer feet in two different heights: 4 cm and 8 cm high. Height adjustable feet are available for uneven floors and surfaces and also feet can be removed from the furniture.

Removable furniture with rounded edges to prevent cuts or wounds. Our furniture has no sharp edges making it extra safe for children

Assembly through sleeves with zoom system, ensuring solid and rigid union. Adjustable shelves attached to the sides by special fixings capable of sustaining stress.

MOBeduc complies with TECNALIA Certification (Safety & Quality standards) in the manufacture of nursery and primary furniture.

TECNALIA offers a global service to the furniture sector by testing and certifying the behaviour of finished furniture and of each of its components with the following methodology:

- Initial inspection of our system of production and control.
- Initial test about the type of product.
- Surveillance, monitoring and evaluation of the quality system.
- Test of raw materials using random samples.
- Test of finished product using random samples.



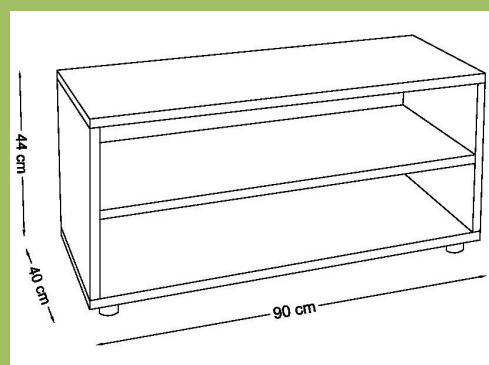
Colour of structure

Beech (E18) and white (E23).

Colour of the shelves and doors

Cherry red (E10), apple green (E13), lavender blue (E14), yellow (E17), beech (E18), orange (E19), dark blue (E20), dark green (E21), pink (E22) and white (E23).

Distributed by:

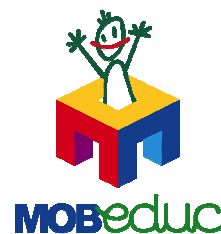


Measures

Width 90 cm. – Height 44 cm. – Depth 40 cm.

Classroom furniture

Reference 600101 with 2 doors



www.mobeduc.com



Ref.: 600102

Reference 600101 with 2 doors, manufactured from 19 mm beech melamine, except rear (10mm), doors (16mm) and 2mm PVC edges, finished for both sides. We offer feet in two different heights: 4 cm and 8 cm high. Height adjustable feet are available for uneven floors and surfaces and also feet can be removed from the furniture.

Internal doors to prevent finger trapping for maximum safety and door handles are made in a flexible soft polymer to prevent children to be hurt when falling

Removable furniture with rounded edges to prevent cuts or wounds. Our furniture has no sharp edges making it extra safe for children

Assembly through sleeves with zoom system, ensuring solid and rigid union. Adjustable shelves attached to the sides by special fixings capable of sustaining stress.

MOBeduc complies with TECNALIA Certification (Safety & Quality standards) in the manufacture of nursery and primary furniture.

TECNALIA offers a global service to the furniture sector by testing and certifying the behaviour of finished furniture and of each of its components with the following methodology:

- Initial inspection of our system of production and control.
- Initial test about the type of product.
- Surveillance, monitoring and evaluation of the quality system.
- Test of raw materials using random samples.
- Test of finished product using random samples.



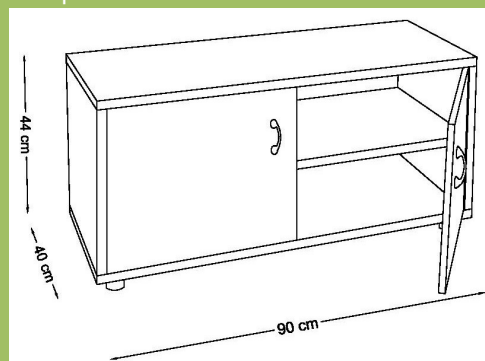
Colour of structure

Beech (E18) and white (E23).

Colour of the shelves and doors

Cherry red (E10), apple green (E13), lavender blue (E14), yellow (E17), beech (E18), orange (E19), dark blue (E20), dark green (E21), pink (E22) and white (E23).

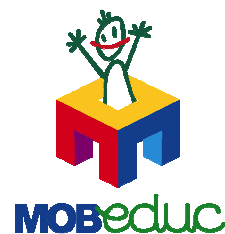
Distributed by:



Measures

Width 90 cm. – Height 44 cm. – Depth 40 cm.

Classroom furniture Super low horizontal storage furniture – 4 compartments



www.mobeduc.com



Ref.: 600103

Super low horizontal storage furniture, 4 compartments. Manufactured from 19 mm beech melamine, except rear (10mm) and 2mm PVC edges, finished for both sides. We offer feet in two different heights: 4 cm and 8 cm high. Height adjustable feet are available for uneven floors and surfaces and also feet can be removed from the furniture.

Removable furniture with rounded edges to prevent cuts or wounds. Our furniture has no sharp edges making it extra safe for children

Assembly through sleeves with zoom system, ensuring solid and rigid union. Adjustable shelves attached to the sides by special fixings capable of sustaining stress.

MOBeduc complies with TECNALIA Certification (Safety & Quality standards) in the manufacture of nursery and primary furniture.

TECNALIA offers a global service to the furniture sector by testing and certifying the behaviour of finished furniture and of each of its components with the following methodology:

- Initial inspection of our system of production and control.
- Initial test about the type of product.
- Surveillance, monitoring and evaluation of the quality system.
- Test of raw materials using random samples.
- Test of finished product using random samples.



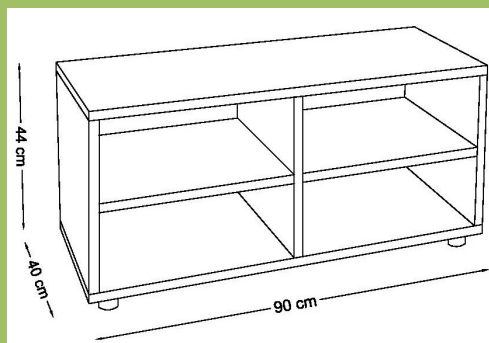
Colour of structure

Beech (E18) and white (E23).

Colour of the shelves

Cherry red (E10), apple green (E13), lavender blue (E14), yellow (E17), beech (E18), orange (E19), dark blue (E20), dark green (E21), pink (E22) and white (E23).

Distributed by:

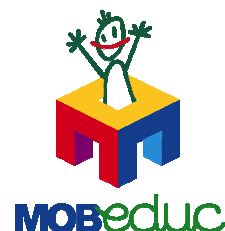


Measures

Width 90 cm. – Height 44 cm. – Depth 40 cm.

Classroom furniture

Reference 600103 with 2 doors



www.mobeduc.com



Ref.: 600104

Reference 600103 with 2 doors, manufactured from 19 mm beech melamine, except rear (10mm), doors (16mm) and 2mm PVC edges, finished for both sides. We offer feet in two different heights: 4 cm and 8 cm high. Height adjustable feet are available for uneven floors and surfaces and also feet can be removed from the furniture.

Internal doors to prevent finger trapping for maximum safety and door handles are made in a flexible soft polymer to prevent children to be hurt when falling. Removable furniture with rounded edges to prevent cuts or wounds. Our furniture has no sharp edges making it extra safe for children

Assembly through sleeves with zoom system, ensuring solid and rigid union. Adjustable shelves attached to the sides by special fixings capable of sustaining stress.

MOBeduc complies with TECNALIA Certification (Safety & Quality standards) in the manufacture of nursery and primary furniture.

TECNALIA offers a global service to the furniture sector by testing and certifying the behaviour of finished furniture and of each of its components with the following methodology:

- Initial inspection of our system of production and control.
- Initial test about the type of product.
- Surveillance, monitoring and evaluation of the quality system.
- Test of raw materials using random samples.
- Test of finished product using random samples.



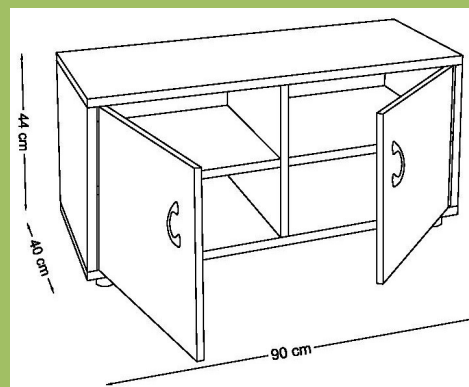
Colour of structure

Beech (E18) and white (E23).

Colour of the shelves and doors

Cherry red (E10), apple green (E13), lavender blue (E14), yellow (E17), beech (E18), orange (E19), dark blue (E20), dark green (E21), pink (E22) and white (E23).

Distributed by:

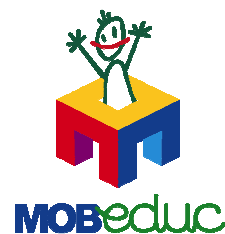


Measures

Width 90 cm. – Height 44 cm. – Depth 40 cm.

Classroom furniture

Super low storage furniture - 2 vertical compartments



www.mobeduc.com



Ref.: 600105

Super low storage furniture, 2 vertical compartments. Manufactured from 19 mm beech melamine, except rear (10mm) and 2mm PVC edges, finished for both sides. We offer feet in two different heights: 4 cm and 8 cm high. Height adjustable feet are available for uneven floors and surfaces and also feet can be removed from the furniture.

Removable furniture with rounded edges to prevent cuts or wounds. Our furniture has no sharp edges making it extra safe for children

Assembly through sleeves with zoom system, ensuring solid and rigid union. Adjustable shelves attached to the sides by special fixings capable of sustaining stress.

MOBeduc complies with TECNALIA Certification (Safety & Quality standards) in the manufacture of nursery and primary furniture.

TECNALIA offers a global service to the furniture sector by testing and certifying the behaviour of finished furniture and of each of its components with the following methodology:

- Initial inspection of our system of production and control.
- Initial test about the type of product.
- Surveillance, monitoring and evaluation of the quality system.
- Test of raw materials using random samples.
- Test of finished product using random samples.



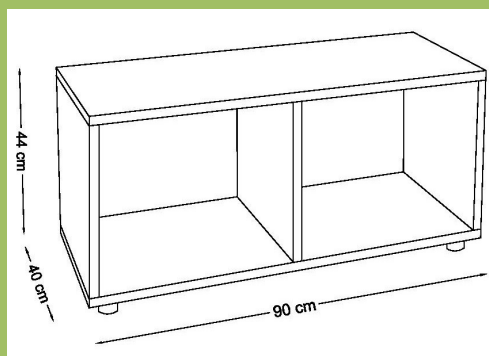
Colour of structure

Beech (E18) and white (E23).

Colour of the shelves and doors

Cherry red (E10), apple green (E13), lavender blue (E14), yellow (E17), beech (E18), orange (E19), dark blue (E20), dark green (E21), pink (E22) and white (E23).

Distributed by:

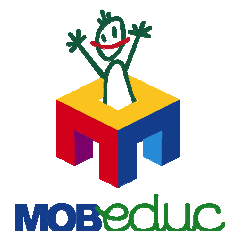


Measures

Width 90 cm. – Height 44 cm. – Depth 40 cm.

Classroom furniture

Reference 600105 with 2 doors



www.mobeduc.com



Ref.: 600106

Reference 600105 with 2 doors, manufactured from 19 mm beech melamine, except rear (10mm), doors (16mm) and 2mm PVC edges, finished for both sides. We offer feet in two different heights: 4 cm and 8 cm high. Height adjustable feet are available for uneven floors and surfaces and also feet can be removed from the furniture.

Internal doors to prevent finger trapping for maximum safety and door handles are made in a flexible soft polymer to prevent children to be hurt when falling. Removable furniture with rounded edges to prevent cuts or wounds. Our furniture has no sharp edges making it extra safe for children

Assembly through sleeves with zoom system, ensuring solid and rigid union. Adjustable shelves attached to the sides by special fixings capable of sustaining stress.

MOBeduc complies with TECNALIA Certification (Safety & Quality standards) in the manufacture of nursery and primary furniture.

TECNALIA offers a global service to the furniture sector by testing and certifying the behaviour of finished furniture and of each of its components with the following methodology:

- Initial inspection of our system of production and control.
- Initial test about the type of product.
- Surveillance, monitoring and evaluation of the quality system.
- Test of raw materials using random samples.
- Test of finished product using random samples.



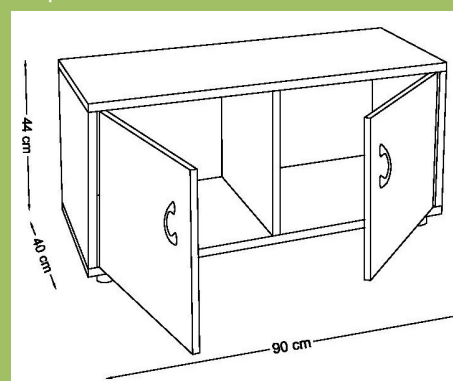
Colour of structure

Beech (E18) and white (E23).

Colour of the shelves and doors

Cherry red (E10), apple green (E13), lavender blue (E14), yellow (E17), beech (E18), orange (E19), dark blue (E20), dark green (E21), pink (E22) and white (E23).

Distributed by:

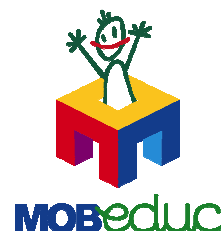


Measures

Width 90 cm. – Height 44 cm. – Depth 40 cm.

Classroom furniture

Shelving and 1 bay with trays



www.mobeduc.com



Ref.: 600111

Shelving and 1 bay with trays, manufactured from 19 mm beech melamine, except rear (10mm) and 2mm PVC edges, finished for both sides. We offer feet in two different heights: 4 cm and 8 cm high. Height adjustable feet are available for uneven floors and surfaces and also feet can be removed from the furniture. Removable furniture with rounded edges to prevent cuts or wounds. Our furniture has no sharp edges making it extra safe for children.

Trays included.
Different combinations can be made: two small trays can be replaced by a big one.

Assembly through sleeves with zoom system, ensuring solid and rigid union. Adjustable shelves attached to the sides by special fixings capable of sustaining stress.

MOBeduc complies with TECNALIA Certification (Safety & Quality standards) in the manufacture of nursery and primary furniture.

TECNALIA offers a global service to the furniture sector by testing and certifying the behaviour of finished furniture and of each of its components with the following methodology:

- Initial inspection of our system of production and control.
- Initial test about the type of product.
- Surveillance, monitoring and evaluation of the quality system.
- Test of raw materials using random samples.
- Test of finished product using random samples.



Colour of structure

Beech (E18) and white (E23).

Colour of the shelves

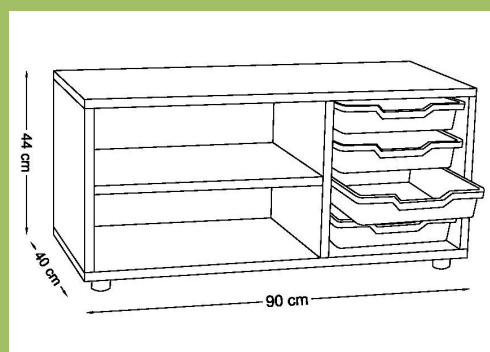
Cherry red (E10), apple green (E13), lavender blue (E14), yellow (E17), beech (E18), orange (E19), dark blue (E20), dark green (E21), pink (E22) and white (E23).

Trays colours

Red, blue, yellow and Green.

Different combinations can be made:
two small trays can be replaced by big one.

Distributed by:

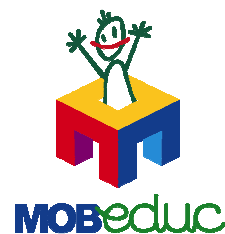


Measures

Width 90 cm. – Height 44 cm. – Depth 40 cm.

Classroom furniture

Shelving and 2 bays with trays



www.mobeduc.com



Ref.: 600112

Shelving and 2 bay with trays, manufactured from 19 mm beech melamine, except rear (10mm) and 2mm PVC edges, finished for both sides. We offer feet in two different heights: 4 cm and 8 cm high. Height adjustable feet are available for uneven floors and surfaces and also feet can be removed from the furniture. Removable furniture with rounded edges to prevent cuts or wounds. Our furniture has no sharp edges making it extra safe for children.

Trays included.
Different combinations can be made: two small trays can be replaced by a big one.

Assembly through sleeves with zoom system, ensuring solid and rigid union. Adjustable shelves attached to the sides by special fixings capable of sustaining stress.

MOBeduc complies with TECNALIA Certification (Safety & Quality standards) in the manufacture of nursery and primary furniture.

TECNALIA offers a global service to the furniture sector by testing and certifying the behaviour of finished furniture and of each of its components with the following methodology:

- Initial inspection of our system of production and control.
- Initial test about the type of product.
- Surveillance, monitoring and evaluation of the quality system.
- Test of raw materials using random samples.
- Test of finished product using random samples.



Colour of structure

Beech (E18) and white (E23).

Colour of the shelves

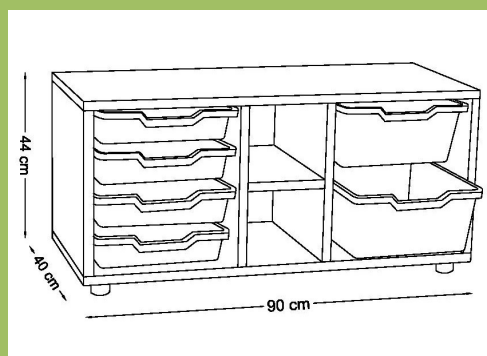
Cherry red (E10), apple green (E13), lavender blue (E14), yellow (E17), beech (E18), orange (E19), dark blue (E20), dark green (E21), pink (E22) and white (E23).

Trays colours

Red, blue, yellow and Green.

Different combinations can be made:
two small trays can be replaced by a big one.

Distributed by:

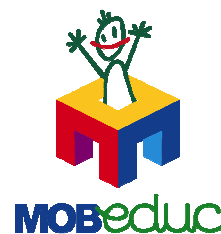


Measures

Width 90 cm. – Height 44 cm. – Depth 40 cm.

Classroom furniture

Shelving corner storage - super low



www.mobeduc.com



Ref.: 600116

Super low shelving corner furniture, 2 horizontal compartments. Manufactured from 19 mm beech melamine, except rear (10mm) and 2mm PVC edges, finished for both sides. We offer feet in two different heights: 4 cm and 8 cm high. Height adjustable feet are available for uneven floors and surfaces and also feet can be removed from the furniture.

Removable furniture with rounded edges to prevent cuts or wounds. Our furniture has no sharp edges making it extra safe for children

Assembly through sleeves with zoom system, ensuring solid and rigid union. Adjustable shelves attached to the sides by special fixings capable of sustaining stress.

MOBeduc complies with TECNALIA Certification (Safety & Quality standards) in the manufacture of nursery and primary furniture.

TECNALIA offers a global service to the furniture sector by testing and certifying the behaviour of finished furniture and of each of its components with the following methodology:

- Initial inspection of our system of production and control.
- Initial test about the type of product.
- Surveillance, monitoring and evaluation of the quality system.
- Test of raw materials using random samples
- Test of finished product using random samples.



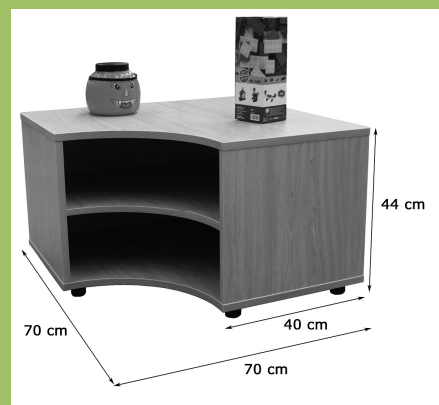
Colour of structure

Beech (E18) and white (E23).

Colour of the shelves

Cherry red (E10), apple green (E13), lavender blue (E14), yellow (E17), beech (E18), orange (E19), dark blue (E20), dark green (E21), pink (E22) and white (E23).

Distributed by:

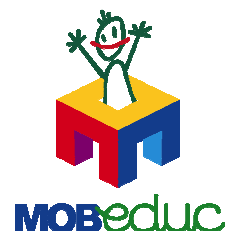


Measures

Width 70 cm. – Height 44 cm. – Depth 70 cm.

Classroom furniture

Seat with trays



www.mobeduc.com



Ref.: 600107

Seat with trays, Manufactured from 19 mm beech melamine, except rear (10mm) and 2mm PVC edges, finished for both sides. We offer feet in two different heights: 4 cm and 8 cm high. Height adjustable feet are available for uneven floors and surfaces and also feet can be removed from the furniture. Removable furniture with rounded edges to prevent cuts or wounds. Our furniture has no sharp edges making it extra safe for children.

Trays included.
One size trays.

Assembly through sleeves with zoom system, ensuring solid and rigid union.

MOBeduc complies with TECNALIA Certification (Safety & Quality standards) in the manufacture of nursery and primary furniture.

TECNALIA offers a global service to the furniture sector by testing and certifying the behaviour of finished furniture and of each of its components with the following methodology:

- Initial inspection of our system of production and control.
- Initial test about the type of product.
- Surveillance, monitoring and evaluation of the quality system.
- Test of raw materials using random samples.
- Test of finished product using random samples.



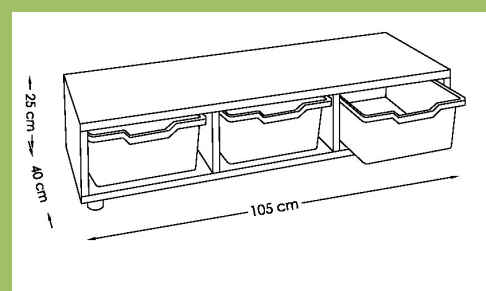
Colour of structure

Beech (E18) and white (E23).

Colour of the trays

Red, blue, yellow and Green.

Distributed by:



Measures

Width 90 cm. – Height 44 cm. – Depth 40 cm.

Super low furniture (H 42cm) 4 drawers-fronts in methacrylate



www.mobeduc.com



Ref.: 600114

4 drawers-fronts in methacrylate, manufactured from 19 mm beech melamine, except rear (10mm), doors (16mm) and 2mm PVC edges, finished for both sides. Drawer fronts melamine MDF 16 mm with rounded edges and painted with nontoxic varnish, with central window, allowing you to see inside the drawer without opening it. Drawers with anti finger trapping system and stops to prevent the fall of the drawers. Furniture with rounded edges to prevent cuts or wounds. Our furniture has no sharp edges making it extra safe for children. Assembly through sleeves with zoom system, ensuring solid and rigid union. MOBeduc complies with TECNALIA Certification (Safety & Quality standards) in the manufacture of nursery and primary furniture. TECNALIA offers a global service to the furniture sector by testing and certifying the behaviour of finished furniture and of each of its components with the following methodology: - Initial inspection of our system of production and control. - Surveillance, monitoring and evaluation of the quality system. - Test of raw materials using random samples - Test of finished product using random samples.

E18

E10

E14

E17

E13

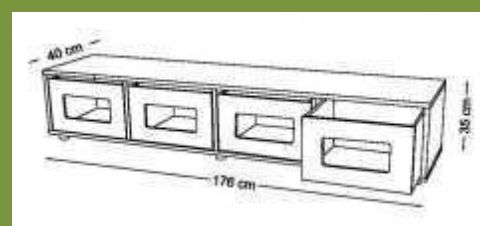
E19

Colour of the structure

Beech (E18)

Colour of drawer front

Beech (E18), Cherry red (E10), Lavander blue (E14), Yellow (E17), Apple green (E13), Orange (E19)



Measures

Length 176 cm. Height 35 cm. Depth 40 cm.

Distributed by:

Super low furniture (H 42cm) 3 drawers-fronts in methacrylate



www.mobeduc.com



Ref.: 600115

3 drawers-fronts in methacrylate, manufactured from 19 mm beech melamine, except rear (10mm), doors (16mm) and 2mm PVC edges, finished for both sides. Drawer fronts melamine MDF 16 mm with rounded edges and painted with nontoxic varnish, with central window, allowing you to see inside the drawer without opening it. Drawers with anti finger trapping system and stops to prevent the fall of the drawers. Furniture with rounded edges to prevent cuts or wounds. Our furniture has no sharp edges making it extra safe for children. Assembly through sleeves with zoom system, ensuring solid and rigid union. MOBeduc complies with TECNALIA Certification (Safety & Quality standards) in the manufacture of nursery and primary furniture. TECNALIA offers a global service to the furniture sector by testing and certifying the behaviour of finished furniture and of each of its components with the following methodology: - Initial inspection of our system of production and control. - Initial test about the type of product. - Surveillance, monitoring and evaluation of the quality system. - Test of raw materials using random samples - Test of finished product using random samples.

E18

E10

E14

E17

E13

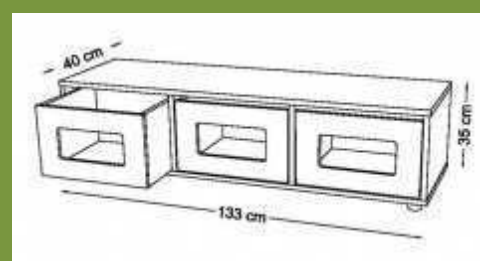
E19

Colour of the structure

Beech (E18)

Colour of drawer front

Beech (E18), Cherry red (E10), Lavander blue (E14), Yellow (E17), Apple green (E13), Orange (E19)



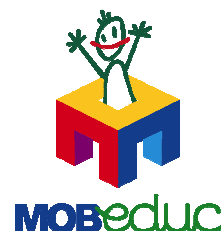
Measures

Length 133 cm. Height 35 cm. Depth 40 cm.

Distributed by:

Classroom furniture

Low storage furniture - 2 horizontal compartments



www.mobeduc.com



Ref.: 600215

Low storage furniture, 3 horizontal compartments. Manufactured from 19 mm beech melamine, except rear (10mm) and 2mm PVC edges, finished for both sides. We offer feet in two different heights: 4 cm and 8 cm high. Height adjustable feet are available for uneven floors and surfaces and also feet can be removed from the furniture.

Removable furniture with rounded edges to prevent cuts or wounds. Our furniture has no sharp edges making it extra safe for children.

Assembly through sleeves with zoom system, ensuring solid and rigid union. Adjustable shelves attached to the sides by special fixings capable of sustaining stress.

MOBeduc complies with TECNALIA Certification (Safety & Quality standards) in the manufacture of nursery and primary furniture.

TECNALIA offers a global service to the furniture sector by testing and certifying the behaviour of finished furniture and of each of its components with the following methodology:

- Initial inspection of our system of production and control.
- Initial test about the type of product.
- Surveillance, monitoring and evaluation of the quality system.
- Test of raw materials using random samples
- Test of finished product using random samples.



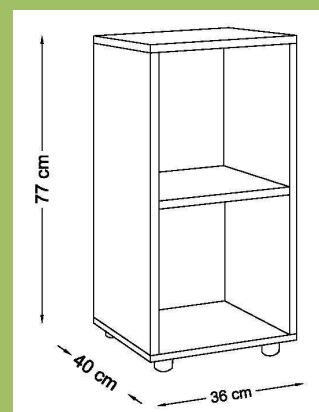
Colour of structure

Beech (E18) and white (E23).

Colour of the shelves

Cherry red (E10), apple green (E13), lavender blue (E14), yellow (E17), beech (E18), orange (E19), dark blue (E20), dark green (E21), pink (E22) and white (E23).

Distributed by:

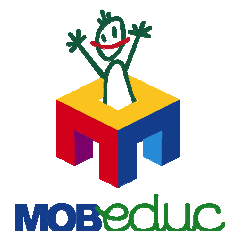


Measures

Width 36 cm. – Height 77 cm. – Depth 40 cm.

Classroom furniture

Reference 600215 with door



www.mobeduc.com



Ref.: 600216

Reference 600215 with 1 door. Manufactured from 19 mm beech melamine, except rear (10mm), doors (16mm) and 2mm PVC edges, finished for both sides. We offer feet in two different heights: 4 cm and 8 cm high. Height adjustable feet are available for uneven floors and surfaces and also feet can be removed from the furniture.

Internal door to prevent finger trapping for maximum safety and door handles are made in a flexible soft polymer to prevent children to be hurt when falling. Removable furniture with rounded edges to prevent cuts or wounds. Our furniture has no sharp edges making it extra safe for children.

Assembly through sleeves with zoom system, ensuring solid and rigid union. Adjustable shelves attached to the sides by special fixings capable of sustaining stress.

MOBeduc complies with TECNALIA Certification (Safety & Quality standards) in the manufacture of nursery and primary furniture.

TECNALIA offers a global service to the furniture sector by testing and certifying the behaviour of finished furniture and of each of its components with the following methodology:

- Initial inspection of our system of production and control.
- Initial test about the type of product.
- Surveillance, monitoring and evaluation of the quality system.
- Test of raw materials using random samples.
- Test of finished product using random samples.



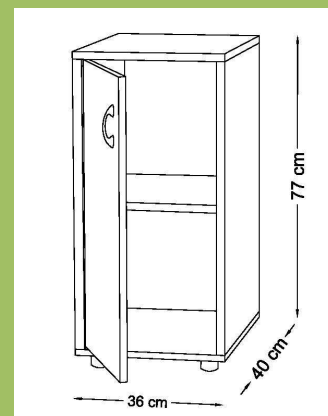
Colour of structure

Beech (E18) and white (E23).

Colour of the shelves and door

Cherry red (E10), apple green (E13), lavender blue (E14), yellow (E17), beech (E18), orange (E19), dark blue (E20), dark green (E21), pink (E22) and white (E23).

Distributed by:

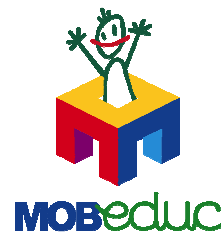


Measures

Width 36 cm. – Height 77 cm. – Depth 40 cm.

Classroom furniture

Reference 600215 with 2 doors



www.mobeduc.com



Ref.: 600217

Reference 600215 with 2 doors. Manufactured from 19 mm beech melamine, except rear (10mm), doors (16mm) and 2mm PVC edges, finished for both sides. We offer feet in two different heights: 4 cm and 8 cm high. Height adjustable feet are available for uneven floors and surfaces and also feet can be removed from the furniture.

Internal doors to prevent finger trapping for maximum safety and door handles are made in a flexible soft polymer to prevent children to be hurt when falling. Removable furniture with rounded edges to prevent cuts or wounds. Our furniture has no sharp edges making it extra safe for children.

Assembly through sleeves with zoom system, ensuring solid and rigid union. Adjustable shelves attached to the sides by special fixings capable of sustaining stress.

MOBeduc complies with TECNALIA Certification (Safety & Quality standards) in the manufacture of nursery and primary furniture.

TECNALIA offers a global service to the furniture sector by testing and certifying the behaviour of finished furniture and of each of its components with the following methodology:

- Initial inspection of our system of production and control.
- Initial test about the type of product.
- Surveillance, monitoring and evaluation of the quality system.
- Test of raw materials using random samples.
- Test of finished product using random samples.



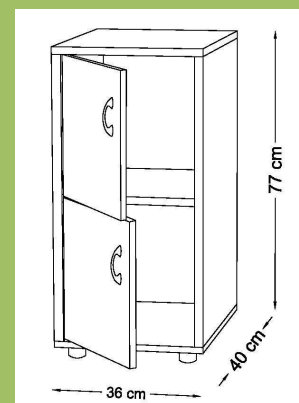
Colour of structure

Beech (E18) and white (E23).

Colour of the shelves and doors

Cherry red (E10), apple green (E13), lavender blue (E14), yellow (E17), beech (E18), orange (E19), dark blue (E20), dark green (E21), pink (E22) and white (E23).

Distributed by:

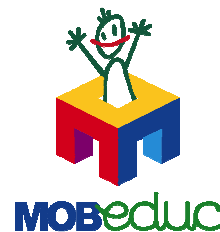


Measures

Width 36 cm. – Height 77 cm. – Depth 40 cm.

Classroom furniture

Low storage furniture - 3 horizontal compartments



www.mobeduc.com



Ref.: 600201

Low storage furniture, 3 horizontal compartments. Manufactured from 19 mm beech melamine, except rear (10mm) and 2mm PVC edges, finished for both sides. We offer feet in two different heights: 4 cm and 8 cm high. Height adjustable feet are available for uneven floors and surfaces and also feet can be removed from the furniture.

Removable furniture with rounded edges to prevent cuts or wounds. Our furniture has no sharp edges making it extra safe for children.

Assembly through sleeves with zoom system, ensuring solid and rigid union. Adjustable shelves attached to the sides by special fixings capable of sustaining stress.

MOBeduc complies with TECNALIA Certification (Safety & Quality standards) in the manufacture of nursery and primary furniture.

TECNALIA offers a global service to the furniture sector by testing and certifying the behaviour of finished furniture and of each of its components with the following methodology:

- Initial inspection of our system of production and control.
- Initial test about the type of product.
- Surveillance, monitoring and evaluation of the quality system.
- Test of raw materials using random samples
- Test of finished product using random samples.



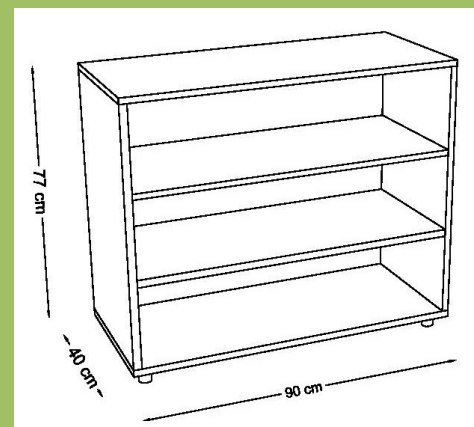
Colour of structure

Beech (E18) and white (E23).

Colour of the shelves

Cherry red (E10), apple green (E13), lavender blue (E14), yellow (E17), beech (E18), orange (E19), dark blue (E20), dark green (E21), pink (E22) and white (E23).

Distributed by:

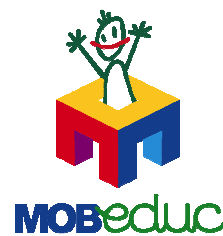


Measures

Width 90 cm. – Height 77 cm. – Depth 40 cm.

Classroom furniture

Reference 600201 with 2 doors



www.mobeduc.com



Ref.: 600202

Reference 600201 with 2 doors. Manufactured from 19 mm beech melamine, except rear (10mm), doors (16mm) and 2mm PVC edges, finished for both sides. We offer feet in two different heights: 4 cm and 8 cm high. Height adjustable feet are available for uneven floors and surfaces and also feet can be removed from the furniture.

Internal doors to prevent finger trapping for maximum safety and door handles are made in a flexible soft polymer to prevent children to be hurt when falling. Removable furniture with rounded edges to prevent cuts or wounds. Our furniture has no sharp edges making it extra safe for children.

Assembly through sleeves with zoom system, ensuring solid and rigid union. Adjustable shelves attached to the sides by special fixings capable of sustaining stress.

MOBeduc complies with TECNALIA Certification (Safety & Quality standards) in the manufacture of nursery and primary furniture.

TECNALIA offers a global service to the furniture sector by testing and certifying the behaviour of finished furniture and of each of its components with the following methodology:

- Initial inspection of our system of production and control.
- Initial test about the type of product.
- Surveillance, monitoring and evaluation of the quality system.
- Test of raw materials using random samples.
- Test of finished product using random samples.

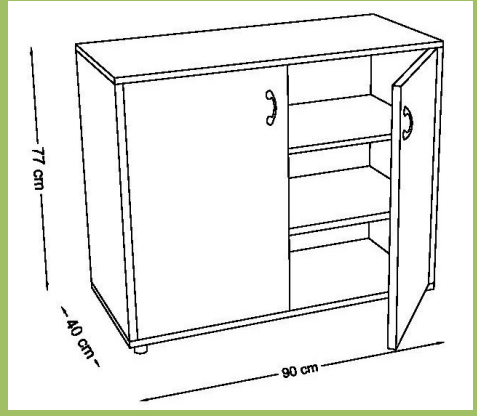


Colour of structure

Beech (E18) and white (E23).

Colour of the shelves and doors

Cherry red (E10), apple green (E13), lavender blue (E14), yellow (E17), beech (E18), orange (E19), dark blue (E20), dark green (E21), pink (E22) and white (E23).



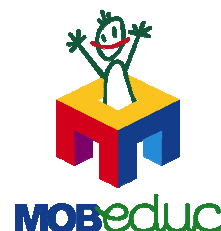
Measures

Width 90 cm. – Height 77 cm. – Depth 40 cm.

Distributed by:

Classroom furniture

Low wardrobe, doors WAVE



www.mobeduc.com



Ref.: 600220

Reference 600201 with 2 doors. Manufactured from 19 mm beech melamine, except rear (10mm) and 2mm PVC edges, finished for both sides. Doors melamine MDF (16mm) with rounded edges and painted with non toxic varnish. We offer feet in two different heights: 4 cm and 8 cm high. Height adjustable feet are available for uneven floors and surfaces and also feet can be removed from the furniture.

Internal doors to prevent finger trapping for maximum safety.

Removable furniture with rounded edges to prevent cuts or wounds. Our furniture has no sharp edges making it extra safe for children.

Assembly through sleeves with zoom system, ensuring solid and rigid union. Adjustable shelves attached to the sides by special fixings capable of sustaining stress.

MOBeduc complies with TECNALIA Certification (Safety & Quality standards) in the manufacture of nursery and primary furniture.

TECNALIA offers a global service to the furniture sector by testing and certifying the behaviour of finished furniture and of each of its components with the following methodology:

- Initial inspection of our system of production and control.
- Initial test about the type of product.
- Surveillance, monitoring and evaluation of the quality system.
- Test of raw materials using random samples.
- Test of finished product using random samples.



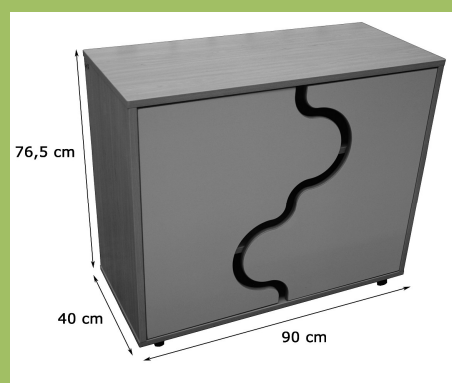
Colour of structure

Beech (E18) and white (E23).

Colour of the shelves and doors

Cherry red (E10), apple green (E13), lavender blue (E14), yellow (E17), beech (E18), orange (E19).

Distributed by:

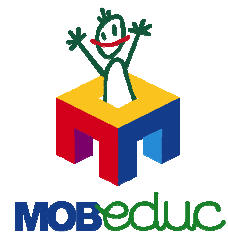


Measures

Width 90 cm. – Height 76,5 cm. – Depth 40 cm.

Classroom furniture

Low horizontal storage furniture - 4 compartment



www.mobeduc.com



Ref.: 600203

Low horizontal storage furniture - 4 compartments. Manufactured from 19 mm beech melamine, except rear (10mm) and 2mm PVC edges, finished for both sides. We offer feet in two different heights: 4 cm and 8 cm high. Height adjustable feet are available for uneven floors and surfaces and also feet can be removed from the furniture.

Removable furniture with rounded edges to prevent cuts or wounds. Our furniture has no sharp edges making it extra safe for children.

Assembly through sleeves with zoom system, ensuring solid and rigid union. Adjustable shelves attached to the sides by special fixings capable of sustaining stress.

MOBeduc complies with TECNALIA Certification (Safety & Quality standards) in the manufacture of nursery and primary furniture.

TECNALIA offers a global service to the furniture sector by testing and certifying the behaviour of finished furniture and of each of its components with the following methodology:

- Initial inspection of our system of production and control.
- Initial test about the type of product.
- Surveillance, monitoring and evaluation of the quality system.
- Test of raw materials using random samples.
- Test of finished product using random samples.



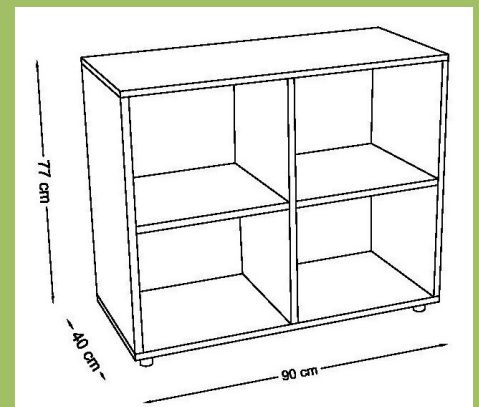
Colour of structure

Beech (E18) and white (E23).

Colour of the shelves

Cherry red (E10), apple green (E13), lavender blue (E14), yellow (E17), beech (E18), orange (E19), dark blue (E20), dark green (E21), pink (E22) and white (E23).

Distributed by:

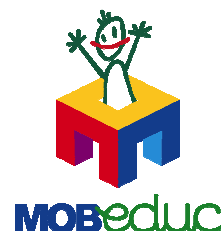


Measures

Width 90 cm. – Height 77 cm. – Depth 40 cm.

Classroom furniture

Reference 600203 with 2 doors



www.mobeduc.com



Ref.: 600204

Reference 600203 with 2 doors. Manufactured from 19 mm beech melamine, except rear (10mm), doors (16mm) and 2mm PVC edges, finished for both sides. We offer feet in two different heights: 4 cm and 8 cm high. Height adjustable feet are available for uneven floors and surfaces and also feet can be removed from the furniture.

Internal doors to prevent finger trapping for maximum safety and door handles are made in a flexible soft polymer to prevent children to be hurt when falling. Removable furniture with rounded edges to prevent cuts or wounds. Our furniture has no sharp edges making it extra safe for children.

Assembly through sleeves with zoom system, ensuring solid and rigid union. Adjustable shelves attached to the sides by special fixings capable of sustaining stress.

MOBeduc complies with TECNALIA Certification (Safety & Quality standards) in the manufacture of nursery and primary furniture.

TECNALIA offers a global service to the furniture sector by testing and certifying the behaviour of finished furniture and of each of its components with the following methodology:

- Initial inspection of our system of production and control.
- Initial test about the type of product.
- Surveillance, monitoring and evaluation of the quality system.
- Test of raw materials using random samples.
- Test of finished product using random samples.



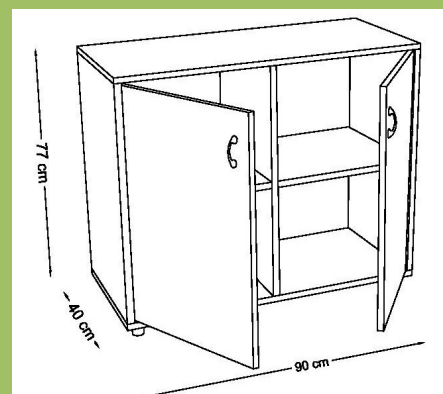
Colour of structure

Beech (E18) and white (E23).

Colour of the shelves and doors

Cherry red (E10), apple green (E13), lavender blue (E14), yellow (E17), beech (E18), orange (E19), dark blue (E20), dark green (E21), pink (E22) and white (E23).

Distributed by:

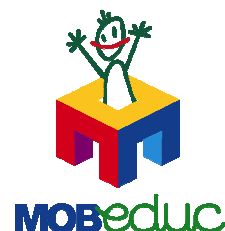


Measures

Width 90 cm. – Height 77 cm. – Depth 40 cm

Classroom furniture

Reference 600203 with 4 doors



www.mobeduc.com



Colour of structure

Beech (E18) and white (E23).

Colour of the shelves and doors

Cherry red (E10), apple green (E13), lavender blue (E14), yellow (E17), beech (E18), orange (E19), dark blue (E20), dark green (E21), pink (E22) and white (E23).

Distributed by:

Ref.: 600218

Reference 600203 with 4 doors. Manufactured from 19 mm beech melamine, except rear (10mm), doors (16mm) and 2mm PVC edges, finished for both sides. We offer feet in two different heights: 4 cm and 8 cm high. Height adjustable feet are available for uneven floors and surfaces and also feet can be removed from the furniture.

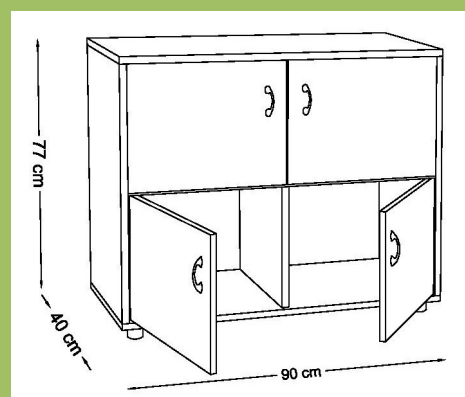
Internal doors to prevent finger trapping for maximum safety and door handles are made in a flexible soft polymer to prevent children to be hurt when falling. Removable furniture with rounded edges to prevent cuts or wounds. Our furniture has no sharp edges making it extra safe for children.

Assembly through sleeves with zoom system, ensuring solid and rigid union. Adjustable shelves attached to the sides by special fixings capable of sustaining stress.

MOBeduc complies with TECNALIA Certification (Safety & Quality standards) in the manufacture of nursery and primary furniture.

TECNALIA offers a global service to the furniture sector by testing and certifying the behaviour of finished furniture and of each of its components with the following methodology:

- Initial inspection of our system of production and control.
- Initial test about the type of product.
- Surveillance, monitoring and evaluation of the quality system.
- Test of raw materials using random samples.
- Test of finished product using random samples.

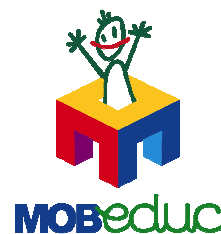


Measures

Width 90 cm. – Height 77 cm. – Depth 40 cm.

Classroom furniture

Shelving storage with 10 compartments



www.mobeduc.com



Ref.: 600205

Shelving storage with 10 compartments. Manufactured from 19 mm beech melamine, except rear (10mm) and 2mm PVC edges, finished for both sides. We offer feet in two different heights: 4 cm and 8 cm high. Height adjustable feet are available for uneven floors and surfaces and also feet can be removed from the furniture.

Removable furniture with rounded edges to prevent cuts or wounds. Our furniture has no sharp edges making it extra safe for children.

Assembly through sleeves with zoom system, ensuring solid and rigid union. Adjustable shelves attached to the sides by special fixings capable of sustaining stress.

MOBeduc complies with TECNALIA Certification (Safety & Quality standards) in the manufacture of nursery and primary furniture.

TECNALIA offers a global service to the furniture sector by testing and certifying the behaviour of finished furniture and of each of its components with the following methodology:

- Initial inspection of our system of production and control.
- Initial test about the type of product.
- Surveillance, monitoring and evaluation of the quality system.
- Test of raw materials using random samples.
- Test of finished product using random samples.



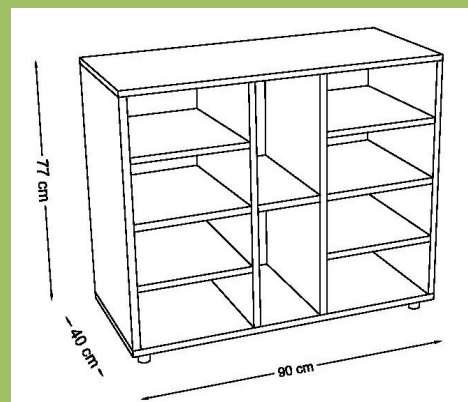
Colour of structure

Beech (E18) and white (E23).

Colour of the shelves

Cherry red (E10), apple green (E13), lavender blue (E14), yellow (E17), beech (E18), orange (E19), dark blue (E20), dark green (E21), pink (E22) and white (E23).

Distributed by:

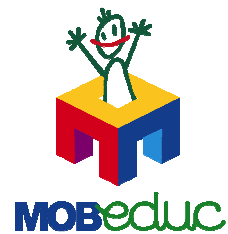


Measures

Width 90 cm. – Height 77 cm. – Depth 40 cm.

Classroom furniture

Shelving storage with 6 compartments



www.mobeduc.com



Ref.: 600206

Shelving storage with 6 compartments. Manufactured from 19 mm beech melamine, except rear (10mm) and 2mm PVC edges, finished for both sides. We offer feet in two different heights: 4 cm and 8 cm high. Height adjustable feet are available for uneven floors and surfaces and also feet can be removed from the furniture.

Removable furniture with rounded edges to prevent cuts or wounds. Our furniture has no sharp edges making it extra safe for children.

Assembly through sleeves with zoom system, ensuring solid and rigid union. Adjustable shelves attached to the sides by special fixings capable of sustaining stress.

MOBeduc complies with TECNALIA Certification (Safety & Quality standards) in the manufacture of nursery and primary furniture.

TECNALIA offers a global service to the furniture sector by testing and certifying the behaviour of finished furniture and of each of its components with the following methodology:

- Initial inspection of our system of production and control.
- Initial test about the type of product.
- Surveillance, monitoring and evaluation of the quality system.
- Test of raw materials using random samples.
- Test of finished product using random samples.



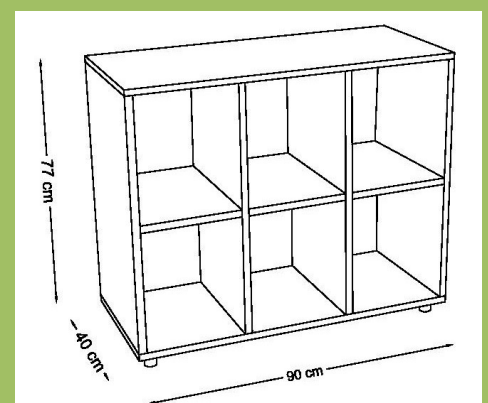
Colour of structure

Beech (E18) and white (E23).

Colour of the shelves

Cherry red (E10), apple green (E13), lavender blue (E14), yellow (E17), beech (E18), orange (E19), dark blue (E20), dark green (E21), pink (E22) and white (E23).

Distributed by:

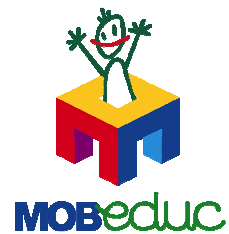


Measures

Width 90 cm. – Height 77 cm. – Depth 40 cm.

Classroom furniture

Reference 600206 with 2 doors



www.mobeduc.com



Ref.: 600207

Reference 600206 with 2 doors. Manufactured from 19 mm beech melamine, except rear (10mm), doors (16mm) and 2mm PVC edges, finished for both sides. We offer feet in two different heights: 4 cm and 8 cm high. Height adjustable feet are available for uneven floors and surfaces and also feet can be removed from the furniture.

Internal doors to prevent finger trapping for maximum safety and door handles are made in a flexible soft polymer to prevent children to be hurt when falling. Removable furniture with rounded edges to prevent cuts or wounds. Our furniture has no sharp edges making it extra safe for children.

Assembly through sleeves with zoom system, ensuring solid and rigid union. Adjustable shelves attached to the sides by special fixings capable of sustaining stress.

MOBeduc complies with TECNALIA Certification (Safety & Quality standards) in the manufacture of nursery and primary furniture.

TECNALIA offers a global service to the furniture sector by testing and certifying the behaviour of finished furniture and of each of its components with the following methodology:

- Initial inspection of our system of production and control.
- Initial test about the type of product.
- Surveillance, monitoring and evaluation of the quality system.
- Test of raw materials using random samples.
- Test of finished product using random samples.



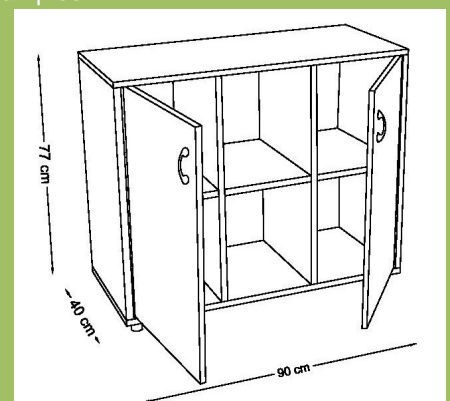
Colour of structure

Beech (E18) and white (E23).

Colour of the shelves and doors

Cherry red (E10), apple green (E13), lavender blue (E14), yellow (E17), beech (E18), orange (E19), dark blue (E20), dark green (E21), pink (E22) and white (E23).

Distributed by:

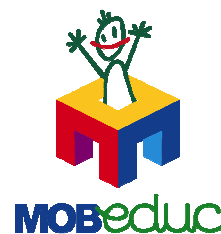


Measures

Width 90 cm. – Height 77 cm. – Depth 40 cm.

Classroom furniture

Storage furniture with 18 horizontal compartments



www.mobeduc.com



Ref.: 600208

Storage furniture with 18 horizontal compartments. Manufactured from 19 mm beech melamine, except rear (10mm) and 2mm PVC edges, finished for both sides. We offer feet in two different heights: 4 cm and 8 cm high. Height adjustable feet are available for uneven floors and surfaces and also feet can be removed from the furniture.

Removable furniture with rounded edges to prevent cuts or wounds. Our furniture has no sharp edges making it extra safe for children.

Adjustable shelves attached to the sides by special fixings capable of sustaining stress.

MOBeduc complies with TECNALIA Certification (Safety & Quality standards) in the manufacture of nursery and primary furniture.

TECNALIA offers a global service to the furniture sector by testing and certifying the behaviour of finished furniture and of each of its components with the following methodology:

- Initial inspection of our system of production and control.
- Initial test about the type of product.
- Surveillance, monitoring and evaluation of the quality system.
- Test of raw materials using random samples.
- Test of finished product using random samples.



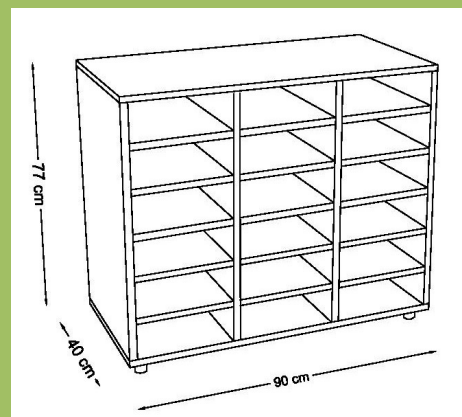
Colour of structure

Beech (E18) and white (E23).

Colour of the shelves and doors

Cherry red (E10), apple green (E13), lavender blue (E14), yellow (E17), beech (E18), orange (E19), dark blue (E20), dark green (E21), pink (E22) and white (E23).

Distributed by:

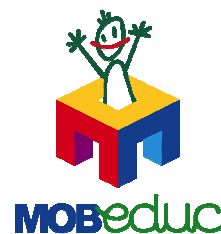


Measures

Width 90 cm. – Height 77 cm. – Depth 40 cm.

Classroom furniture

Low vertical storage furniture with trays



www.mobeduc.com



Ref.: 600209

Low vertical storage furniture with trays. Manufactured from 19 mm beech melamine, except rear (10mm) and 2mm PVC edges, finished for both sides. We offer feet in two different heights: 4 cm and 8 cm high. Height adjustable feet are available for uneven floors and surfaces and also feet can be removed from the furniture.

Removable furniture with rounded edges to prevent cuts or wounds. Our furniture has no sharp edges making it extra safe for children.

Trays included. Different combinations can be made: two small trays can be replaced by a big one.

Assembly through sleeves with zoom system, ensuring solid and rigid union.

MOBeduc complies with TECNALIA Certification (Safety & Quality standards) in the manufacture of nursery and primary furniture.

TECNALIA offers a global service to the furniture sector by testing and certifying the behaviour of finished furniture and of each of its components with the following methodology:

- Initial inspection of our system of production and control.
- Initial test about the type of product.
- Surveillance, monitoring and evaluation of the quality system.
- Test of raw materials using random samples
- Test of finished product using random samples.



E18

E23

Colour of structure

Beech (E18) and white (E23).

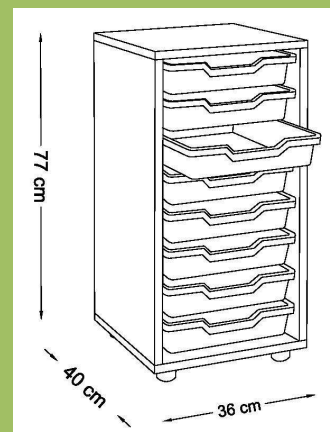
Trays colours

Red, blue, yellow and Green.

Different combinations can be made:

two small trays can be replaced by big one.

Distributed by:

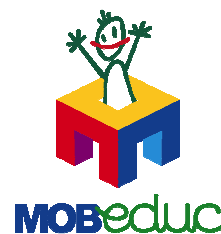


Measures

Width 90 cm. – Height 77 cm. – Depth 40 cm.

Classroom furniture

Low vertical storage furniture with 2 bays with



www.mobeduc.com



Ref.: 600210

Low vertical storage furniture with 2 bays with trays. Manufactured from 19 mm beech melamine, except rear (10mm) and 2mm PVC edges, finished for both sides. We offer feet in two different heights: 4 cm and 8 cm high. Height adjustable feet are available for uneven floors and surfaces and also feet can be removed from the furniture.

Removable furniture with rounded edges to prevent cuts or wounds. Our furniture has no sharp edges making it extra safe for children.

Trays included. Different combinations can be made: two small trays can be replaced by a big one.

Assembly through sleeves with zoom system, ensuring solid and rigid union.

MOBeduc complies with TECNALIA Certification (Safety & Quality standards) in the manufacture of nursery and primary furniture.

TECNALIA offers a global service to the furniture sector by testing and certifying the behaviour of finished furniture and of each of its components with the following methodology:

- Initial inspection of our system of production and control.
- Initial test about the type of product.
- Surveillance, monitoring and evaluation of the quality system.
- Test of raw materials using random samples
- Test of finished product using random samples.



Colour of structure

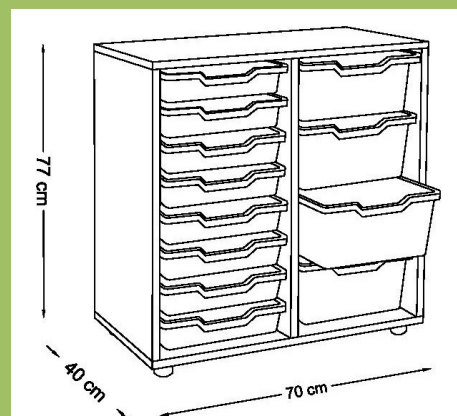
Beech (E18) and white (E23).

Trays colours

Red, blue, yellow and Green.

Different combinations can be made:
two small trays can be replaced by big one.

Distributed by:

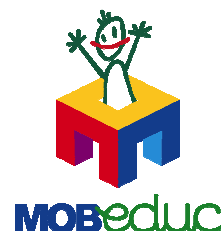


Measures

Width 90 cm. – Height 77 cm. – Depth 40 cm.

Classroom furniture

Wardrobe (1 door) and 1 bay of trays



www.mobeduc.com



Ref.: 600211

Wardrobe (1 door) and 1 bay of trays. Manufactured from 19 mm beech melamine, except rear (10mm), doors (16mm) and 2mm PVC edges, finished for both sides. We offer feet in two different heights: 4 cm and 8 cm high. Height adjustable feet are available for uneven floors and surfaces and also feet can be removed from the furniture.

Trays included. Different combinations can be made: two small trays can be replaced by a big one.

Internal doors to prevent finger trapping for maximum safety and door handles are made in a flexible soft polymer to prevent children to be hurt when falling.

Removable furniture with rounded edges to prevent cuts or wounds. Our furniture has no sharp edges making it extra safe for children.

Assembly through sleeves with zoom system, ensuring solid and rigid union. Adjustable shelves attached to the sides by special fixings capable of sustaining stress.

MOBeduc complies with TECNALIA Certification (Safety & Quality standards) in the manufacture of nursery and primary furniture.

TECNALIA offers a global service to the furniture sector by testing and certifying the behaviour of finished furniture and of each of its components with the following methodology:

- Initial inspection of our system of production and control.
- Initial test about the type of product.
- Surveillance, monitoring and evaluation of the quality system.
- Test of raw materials using random samples.
- Test of finished product using random samples.



Colour of structure

Beech (E18) and white (E23).

Colour of the shelves and doors

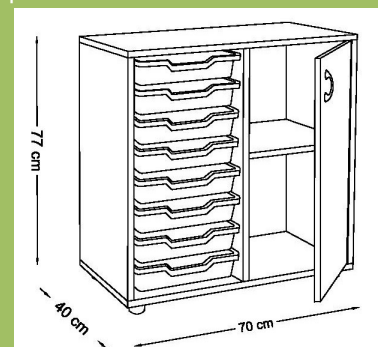
Cherry red (E10), apple green (E13), lavender blue (E14), yellow (E17), beech (E18), orange (E19), dark blue (E20), dark green (E21), pink (E22) and white (E23).

Trays colours

Red, blue, yellow and Green.

Different combinations can be made:
two small trays can be replaced by big one.

Distributed by:

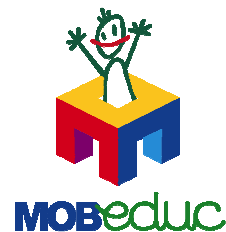


Measures

Width 90 cm. – Height 77 cm. – Depth 40 cm.

Classroom furniture

Shelving storage and 1 bay with trays



www.mobeduc.com



Ref.: 600212



Shelving storage and 1 bay with trays. Manufactured from 19 mm beech melamine, except rear (10mm) and 2mm PVC edges, finished for both sides. We offer feet in two different heights: 4 cm and 8 cm high. Height adjustable feet are available for uneven floors and surfaces and also feet can be removed from the furniture.

Trays included. Different combinations can be made: two small trays can be replaced by a big one. Removable furniture with rounded edges to prevent cuts or wounds. Our furniture has no sharp edges making it extra safe for children.

Assembly through sleeves with zoom system, ensuring solid and rigid union. Adjustable shelves attached to the sides by special fixings capable of sustaining stress.

MOBeduc complies with TECNALIA Certification (Safety & Quality standards) in the manufacture of nursery and primary furniture.

TECNALIA offers a global service to the furniture sector by testing and certifying the behaviour of finished furniture and of each of its components with the following methodology:

- Initial inspection of our system of production and control.
- Initial test about the type of product.
- Surveillance, monitoring and evaluation of the quality system.
- Test of raw materials using random samples.
- Test of finished product using random samples.



Colour of structure

Beech (E18) and white (E23).

Colour of the shelves

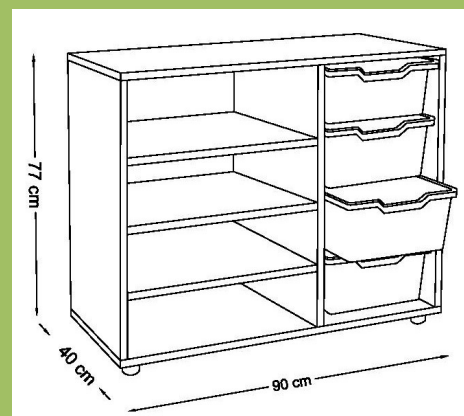
Cherry red (E10), apple green (E13), lavender blue (E14), yellow (E17), beech (E18), orange (E19), dark blue (E20), dark green (E21), pink (E22) and white (E23).

Trays colours

Red, blue, yellow and Green.

Different combinations can be made:
two small trays can be replaced by big one.

Distributed by:

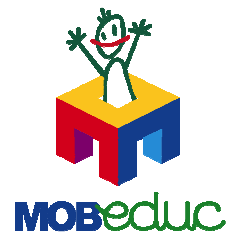


Measures

Width 90 cm. – Height 77 cm. – Depth 40 cm.

Classroom furniture

Shelving storage and 2 bays with trays



www.mobeduc.com



Ref.: 600213



Shelving storage and 2 bays with trays. Manufactured from 19 mm beech melamine, except rear (10mm) and 2mm PVC edges, finished for both sides. We offer feet in two different heights: 4 cm and 8 cm high. Height adjustable feet are available for uneven floors and surfaces and also feet can be removed from the furniture.

Trays included. Different combinations can be made: two small trays can be replaced by a big one..

Removable furniture with rounded edges to prevent cuts or wounds. Our furniture has no sharp edges making it extra safe for children.

Assembly through sleeves with zoom system, ensuring solid and rigid union. Adjustable shelves attached to the sides by special fixings capable of sustaining stress.

MOBeduc complies with TECNALIA Certification (Safety & Quality standards) in the manufacture of nursery and primary furniture.

TECNALIA offers a global service to the furniture sector by testing and certifying the behaviour of finished furniture and of each of its components with the following methodology:

- Initial inspection of our system of production and control.
- Initial test about the type of product.
- Surveillance, monitoring and evaluation of the quality system.
- Test of raw materials using random samples.
- Test of finished product using random samples.



Colour of structure

Beech (E18) and white (E23).

Colour of the shelves

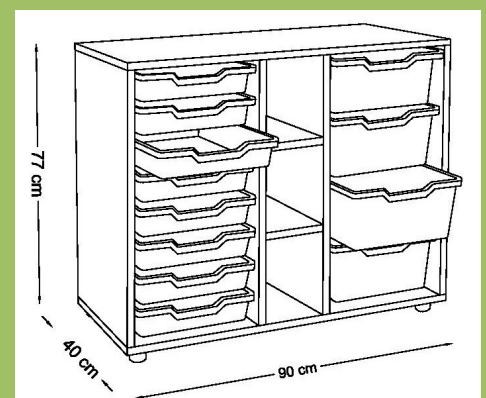
Cherry red (E10), apple green (E13), lavender blue (E14), yellow (E17), beech (E18), orange (E19), dark blue (E20), dark green (E21), pink (E22) and white (E23).

Trays colours

Red, blue, yellow and Green.

Different combinations can be made:
two small trays can be replaced by big one.

Distributed by:

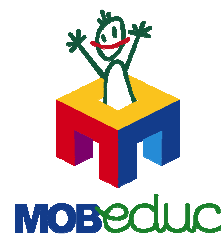


Measures

Width 90 cm. – Heigth 77 cm. – Depth 40 cm.

Classroom furniture

Low vertical storage furniture with 3 bays with



www.mobeduc.com



Ref.: 600214

Low vertical storage furniture with 3 bays with trays. Manufactured from 19 mm beech melamine, except rear (10mm) and 2mm PVC edges, finished for both sides. We offer feet in two different heights: 4 cm and 8 cm high. Height adjustable feet are available for uneven floors and surfaces and also feet can be removed from the furniture.

Removable furniture with rounded edges to prevent cuts or wounds. Our furniture has no sharp edges making it extra safe for children.

Trays included. Different combinations can be made: two small trays can be replaced by a big one.

Assembly through sleeves with zoom system, ensuring solid and rigid union.

MOBeduc complies with TECNALIA Certification (Safety & Quality standards) in the manufacture of nursery and primary furniture.

TECNALIA offers a global service to the furniture sector by testing and certifying the behaviour of finished furniture and of each of its components with the following methodology:

- Initial inspection of our system of production and control.
- Initial test about the type of product.
- Surveillance, monitoring and evaluation of the quality system.
- Test of raw materials using random samples
- Test of finished product using random samples.



E18

E23

Colour of structure

Beech (E18) and white (E23).

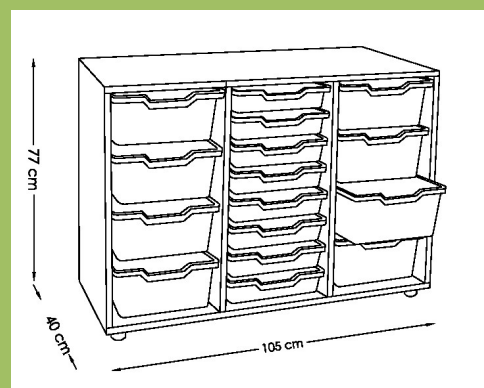
Trays colours

Red, blue, yellow and Green.

Different combinations can be made:

two small trays can be replaced by big one.

Distributed by:

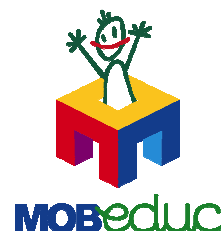


Measures

Width 90 cm. – Heigth 77 cm. – Depth 40 cm.

Classroom furniture

Shelving corner storage - low



www.mobeduc.com



Ref.: 600221

Low shelving corner furniture, 3 horizontal compartments. Manufactured from 19 mm beech melamine, except rear (10mm) and 2mm PVC edges, finished for both sides. We offer feet in two different heights: 4 cm and 8 cm high. Height adjustable feet are available for uneven floors and surfaces and also feet can be removed from the furniture.

Removable furniture with rounded edges to prevent cuts or wounds. Our furniture has no sharp edges making it extra safe for children

Assembly through sleeves with zoom system, ensuring solid and rigid union. Adjustable shelves attached to the sides by special fixings capable of sustaining stress.

MOBeduc complies with TECNALIA Certification (Safety & Quality standards) in the manufacture of nursery and primary furniture.

TECNALIA offers a global service to the furniture sector by testing and certifying the behaviour of finished furniture and of each of its components with the following methodology:

- Initial inspection of our system of production and control.
- Initial test about the type of product.
- Surveillance, monitoring and evaluation of the quality system.
- Test of raw materials using random samples
- Test of finished product using random samples.



Colour of structure

Beech (E18) and white (E23).

Colour of the shelves

Cherry red (E10), apple green (E13), lavender blue (E14), yellow (E17), beech (E18), orange (E19), dark blue (E20), dark green (E21), pink (E22) and white (E23).

Distributed by:

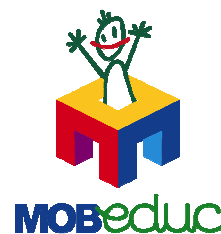


Measures

Width 70 cm. – Height 76,5 cm. – Depth 70 cm.

Classroom furniture

Storage furniture – 3 horizontal compartments



www.mobeduc.com



Ref.: 600801

Storage furniture, 3 horizontal compartments. Manufactured from 19 mm beech melamine, except rear (10mm) and 2mm PVC edges, finished for both sides. We offer feet in two different heights: 4 cm and 8 cm high. Height adjustable feet are available for uneven floors and surfaces and also feet can be removed from the furniture.

Removable furniture with rounded edges to prevent cuts or wounds. Our furniture has no sharp edges making it extra safe for children.

Assembly through sleeves with zoom system, ensuring solid and rigid union. Adjustable shelves attached to the sides by special fixings capable of sustaining stress.

MObeduc complies with TECNALIA Certification (Safety & Quality standards) in the manufacture of nursery and primary furniture.

TECNALIA offers a global service to the furniture sector by testing and certifying the behaviour of finished furniture and of each of its components with the following methodology:

- Initial inspection of our system of production and control.
- Initial test about the type of product.
- Surveillance, monitoring and evaluation of the quality system.
- Test of raw materials using random samples
- Test of finished product using random samples.



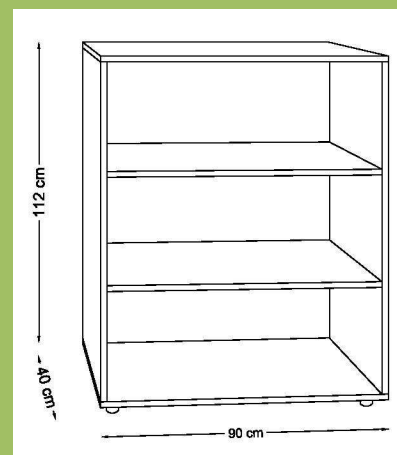
Colour of structure

Beech (E18) and white (E23).

Colour of the shelves

Cherry red (E10), apple green (E13), lavender blue (E14), yellow (E17), beech (E18), orange (E19), dark blue (E20), dark green (E21), pink (E22) and white (E23).

Distributed by:

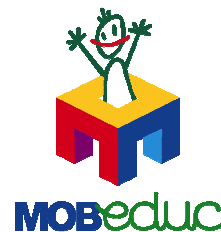


Measures

Width 90 cm. – Height 112 cm. – Depth 40 cm.

Classroom furniture

Reference 600801 with door



www.mobeduc.com



Ref.: 600802

Manufactured from 19 mm beech melamine, except rear (10mm), doors (16mm) and 2mm PVC edges, finished for both sides. We offer feet in two different heights: 4 cm and 8 cm high. Height adjustable feet are available for uneven floors and surfaces and also feet can be removed from the furniture.

Internal doors to prevent finger trapping for maximum safety and door handles are made in a flexible soft polymer to prevent children to be hurt when falling.

Removable furniture with rounded edges to prevent cuts or wounds. Our furniture has no sharp edges making it extra safe for children.

Assembly through sleeves with zoom system, ensuring solid and rigid union. Adjustable shelves attached to the sides by special fixings capable of sustaining stress.

MOBeduc complies with TECNALIA Certification (Safety & Quality standards) in the manufacture of nursery and primary furniture.

TECNALIA offers a global service to the furniture sector by testing and certifying the behaviour of finished furniture and of each of its components with the following methodology:

- Initial inspection of our system of production and control.
- Initial test about the type of product.
- Surveillance, monitoring and evaluation of the quality system.
- Test of raw materials using random samples.
- Test of finished product using random samples.



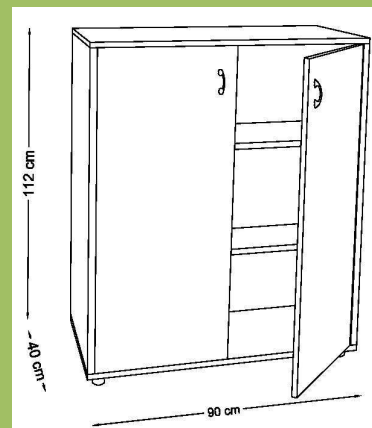
Colour of structure

Beech (E18) and white (E23).

Colour of the shelves and doors

Cherry red (E10), apple green (E13), lavender blue (E14), yellow (E17), beech (E18), orange (E19), dark blue (E20), dark green (E21), pink (E22) and white (E23).

Distributed by:

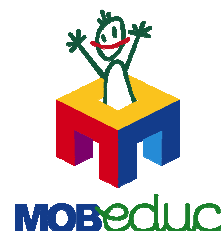


Measures

Width 90 cm. – Height 112 cm. – Depth 40 cm.

Classroom furniture

Intermedium wardrobe, doors WAVE



www.mobeduc.com



Ref.: 600821

Reference 600801 with 2 doors. Manufactured from 19 mm beech melamine, except rear (10mm) and 2mm PVC edges, finished for both sides. Doors melamine MDF (16mm) with rounded edges and painted with non toxic varnish. We offer feet in two different heights: 4 cm and 8 cm high. Height adjustable feet are available for uneven floors and surfaces and also feet can be removed from the furniture.

Internal doors to prevent finger trapping for maximum safety.

Removable furniture with rounded edges to prevent cuts or wounds. Our furniture has no sharp edges making it extra safe for children.

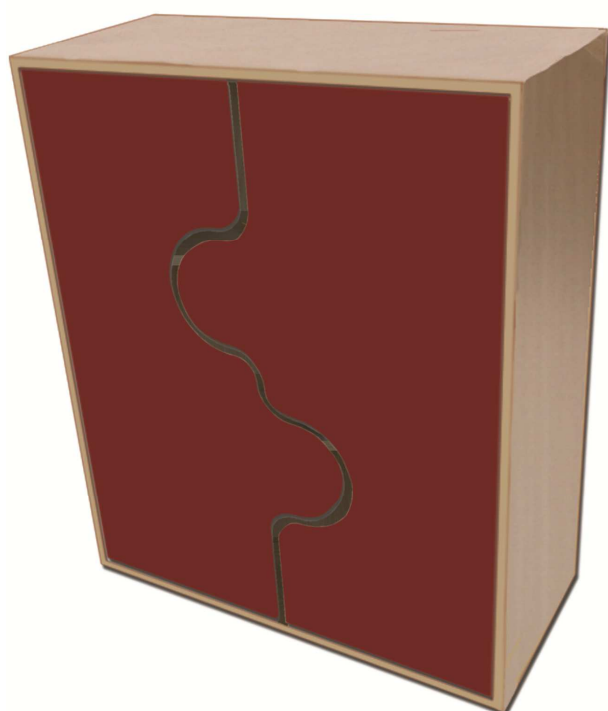
Assembly through sleeves with zoom system, ensuring solid and rigid union.

Adjustable shelves attached to the sides by special fixings capable of sustaining stress.

MOBeduc complies with TECNALIA Certification (Safety & Quality standards) in the manufacture of nursery and primary furniture.

TECNALIA offers a global service to the furniture sector by testing and certifying the behaviour of finished furniture and of each of its components with the following methodology:

- Initial inspection of our system of production and control.
- Initial test about the type of product.
- Surveillance, monitoring and evaluation of the quality system.
- Test of raw materials using random samples.
- Test of finished product using random samples.



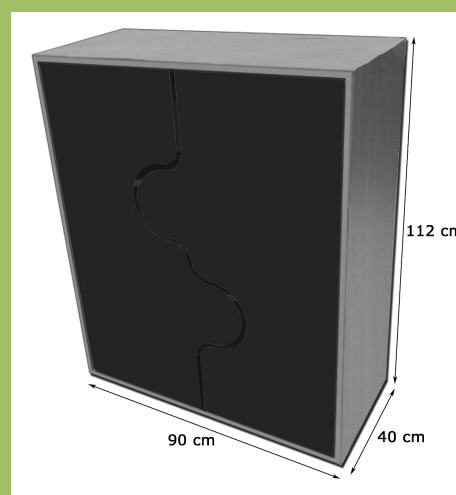
Colour of structure

Beech (E18) and white (E23).

Colour of the shelves and doors

Cherry red (E10), apple green (E13), lavender blue (E14), yellow (E17), beech (E18), orange (E19).

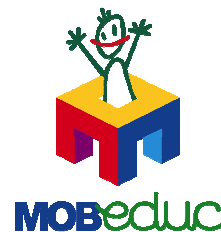
Distributed by:



Measures

Width 90 cm. – Height 112 cm. – Depth 40 cm.

Classroom furniture Wardrobe and shelving storage with 2 horizontal compartments (up)



www.mobeduc.com



Ref.: 600803

Wardrobe and shelving storage with 2 horizontal compartments (up). Manufactured from 19 mm beech melamine, except rear (10mm), doors (16mm) and 2mm PVC edges, finished for both sides. We offer feet in two different heights: 4 cm and 8 cm high. Height adjustable feet are available for uneven floors and surfaces and also feet can be removed from the furniture.

Internal doors to prevent finger trapping for maximum safety and door handles are made in a flexible soft polymer to prevent children to be hurt when falling. Removable furniture with rounded edges to prevent cuts or wounds. Our furniture has no sharp edges making it extra safe for children.

Assembly through sleeves with zoom system, ensuring solid and rigid union. Adjustable shelves attached to the sides by special fixings capable of sustaining stress.

MOBeduc complies with TECNALIA Certification (Safety & Quality standards) in the manufacture of nursery and primary furniture.

TECNALIA offers a global service to the furniture sector by testing and certifying the behaviour of finished furniture and of each of its components with the following methodology:

- Initial inspection of our system of production and control.
- Initial test about the type of product.
- Surveillance, monitoring and evaluation of the quality system.
- Test of raw materials using random samples.
- Test of finished product using random samples.



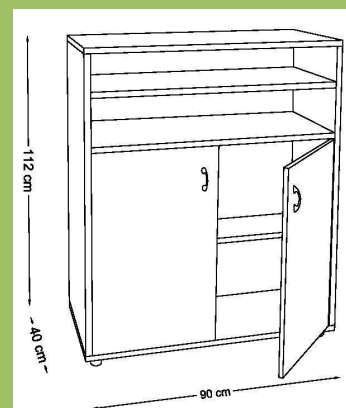
Colour of structure

Beech (E18) and white (E23).

Colour of the shelves and doors

Cherry red (E10), apple green (E13), lavender blue (E14), yellow (E17), beech (E18), orange (E19), dark blue (E20), dark green (E21), pink (E22) and white (E23).

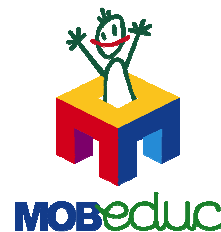
Distributed by:



Measures

Width 90 cm. – Height 112 cm. – Depth 40 cm.

Classroom furniture Wardrobe and shelving storage with 2 horizontal compartments (down)



www.mobeduc.com



Ref.: 600804



Wardrobe and shelving storage with 2 horizontal compartments (down). Manufactured from 19 mm beech melamine, except rear (10mm), doors (16mm) and 2mm PVC edges, finished for both sides. We offer feet in two different heights: 4 cm and 8 cm high. Height adjustable feet are available for uneven floors and surfaces and also feet can be removed from the furniture.

Internal doors to prevent finger trapping for maximum safety and door handles are made in a flexible soft polymer to prevent children to be hurt when falling. Removable furniture with rounded edges to prevent cuts or wounds. Our furniture has no sharp edges making it extra safe for children.

Assembly through sleeves with zoom system, ensuring solid and rigid union. Adjustable shelves attached to the sides by special fixings capable of sustaining stress.

MOBeduc complies with TECNALIA Certification (Safety & Quality standards) in the manufacture of nursery and primary furniture.

TECNALIA offers a global service to the furniture sector by testing and certifying the behaviour of finished furniture and of each of its components with the following methodology:

- Initial inspection of our system of production and control.
- Initial test about the type of product.
- Surveillance, monitoring and evaluation of the quality system.
- Test of raw materials using random samples.
- Test of finished product using random samples.



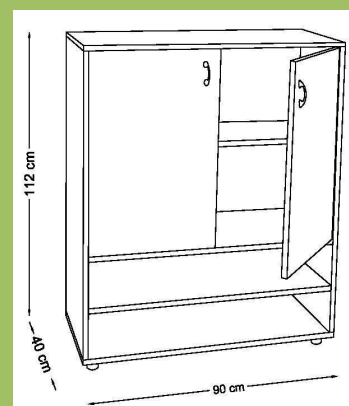
Colour of structure

Beech (E18) and white (E23).

Colour of the shelves and doors

Cherry red (E10), apple green (E13), lavender blue (E14), yellow (E17), beech (E18), orange (E19), dark blue (E20), dark green (E21), pink (E22) and white (E23).

Distributed by:

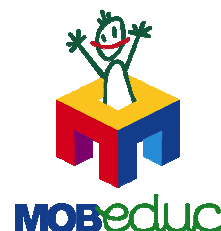


Measures

Width 90 cm. – Height 112 cm. – Depth 40 cm.

Classroom furniture

Vertical shelving storage with 6 compartments



www.mobeduc.com



Ref.: 600805

Vertical shelving storage with 6 compartments. Manufactured from 19 mm beech melamine, except rear (10mm) and 2mm PVC edges, finished for both sides. We offer feet in two different heights: 4 cm and 8 cm high. Height adjustable feet are available for uneven floors and surfaces and also feet can be removed from the furniture.

Removable furniture with rounded edges to prevent cuts or wounds. Our furniture has no sharp edges making it extra safe for children.

Assembly through sleeves with zoom system, ensuring solid and rigid union. Adjustable shelves attached to the sides by special fixings capable of sustaining stress.

MOBeduc complies with TECNALIA Certification (Safety & Quality standards) in the manufacture of nursery and primary furniture.

TECNALIA offers a global service to the furniture sector by testing and certifying the behaviour of finished furniture and of each of its components with the following methodology:

- Initial inspection of our system of production and control.
- Initial test about the type of product.
- Surveillance, monitoring and evaluation of the quality system.
- Test of raw materials using random samples.
- Test of finished product using random samples.



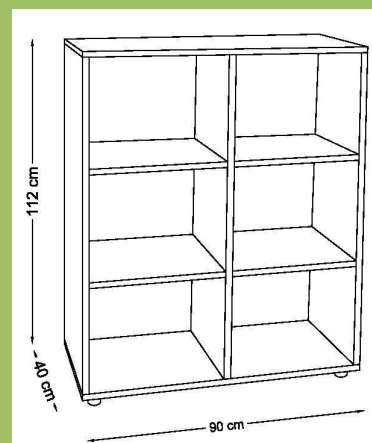
Colour of structure

Beech (E18) and white (E23).

Colour of the shelves

Cherry red (E10), apple green (E13), lavender blue (E14), yellow (E17), beech (E18), orange (E19), dark blue (E20), dark green (E21), pink (E22) and white (E23).

Distributed by:

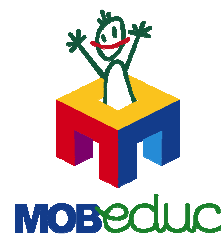


Measures

Width 90 cm. – Height 112 cm. – Depth 40 cm.

Classroom furniture

Reference 600805 with 2 doors



www.mobeduc.com



Ref.: 600806

Reference 600805 with 2 doors. Manufactured from 19 mm beech melamine, except rear (10mm), doors (16mm) and 2mm PVC edges, finished for both sides. We offer feet in two different heights: 4 cm and 8 cm high. Height adjustable feet are available for uneven floors and surfaces and also feet can be removed from the furniture.

Internal doors to prevent finger trapping for maximum safety and door handles are made in a flexible soft polymer to prevent children to be hurt when falling. Removable furniture with rounded edges to prevent cuts or wounds. Our furniture has no sharp edges making it extra safe for children.

Assembly through sleeves with zoom system, ensuring solid and rigid union. Adjustable shelves attached to the sides by special fixings capable of sustaining stress.

MOBeduc complies with TECNALIA Certification (Safety & Quality standards) in the manufacture of nursery and primary furniture.

TECNALIA offers a global service to the furniture sector by testing and certifying the behaviour of finished furniture and of each of its components with the following methodology:

- Initial inspection of our system of production and control.
- Initial test about the type of product.
- Surveillance, monitoring and evaluation of the quality system.
- Test of raw materials using random samples.
- Test of finished product using random samples.



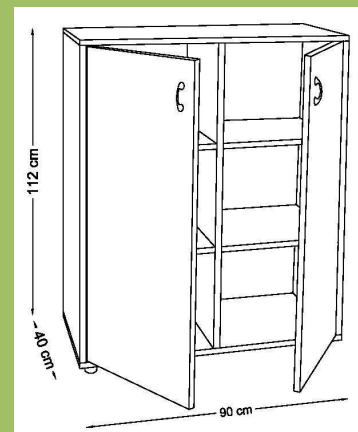
Colour of structure

Beech (E18) and white (E23).

Colour of the shelves and doors

Cherry red (E10), apple green (E13), lavender blue (E14), yellow (E17), beech (E18), orange (E19), dark blue (E20), dark green (E21), pink (E22) and white (E23).

Distributed by:

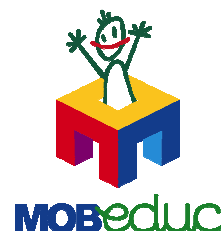


Measures

Width 90 cm. – Height 112 cm. – Depth 40 cm.

Classroom furniture

Vertical shelving storage with 9 compartments



www.mobeduc.com



Ref.: 600807

Vertical shelving storage with 9 compartments. Manufactured from 19 mm beech melamine, except rear (10mm) and 2mm PVC edges, finished for both sides. We offer feet in two different heights: 4 cm and 8 cm high. Height adjustable feet are available for uneven floors and surfaces and also feet can be removed from the furniture.

Removable furniture with rounded edges to prevent cuts or wounds. Our furniture has no sharp edges making it extra safe for children.

Assembly through sleeves with zoom system, ensuring solid and rigid union. Adjustable shelves attached to the sides by special fixings capable of sustaining stress.

MOBeduc complies with TECNALIA Certification (Safety & Quality standards) in the manufacture of nursery and primary furniture.

TECNALIA offers a global service to the furniture sector by testing and certifying the behaviour of finished furniture and of each of its components with the following methodology:

- Initial inspection of our system of production and control.
- Initial test about the type of product.
- Surveillance, monitoring and evaluation of the quality system.
- Test of raw materials using random samples.
- Test of finished product using random samples.



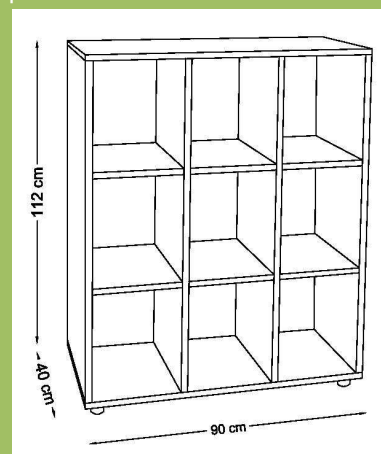
Colour of structure

Beech (E18) and white (E23).

Colour of the shelves

Cherry red (E10), apple green (E13), lavender blue (E14), yellow (E17), beech (E18), orange (E19), dark blue (E20), dark green (E21), pink (E22) and white (E23).

Distributed by:

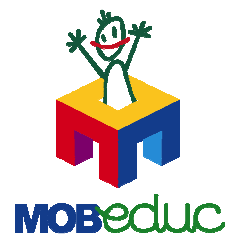


Measures

Width 90 cm. – Height 112 cm. – Depth 40 cm.

Classroom furniture

Reference 600807 with 2 doors



www.mobeduc.com



Ref.: 600808

Reference 600807 with 2 doors. Manufactured from 19 mm beech melamine, except rear (10mm), doors (16mm) and 2mm PVC edges, finished for both sides. We offer feet in two different heights: 4 cm and 8 cm high. Height adjustable feet are available for uneven floors and surfaces and also feet can be removed from the furniture.

Internal doors to prevent finger trapping for maximum safety and door handles are made in a flexible soft polymer to prevent children to be hurt when falling. Removable furniture with rounded edges to prevent cuts or wounds. Our furniture has no sharp edges making it extra safe for children.

Assembly through sleeves with zoom system, ensuring solid and rigid union. Adjustable shelves attached to the sides by special fixings capable of sustaining stress.

MOBeduc complies with TECNALIA Certification (Safety & Quality standards) in the manufacture of nursery and primary furniture.

TECNALIA offers a global service to the furniture sector by testing and certifying the behaviour of finished furniture and of each of its components with the following methodology:

- Initial inspection of our system of production and control.
- Initial test about the type of product.
- Surveillance, monitoring and evaluation of the quality system.
- Test of raw materials using random samples.
- Test of finished product using random samples.



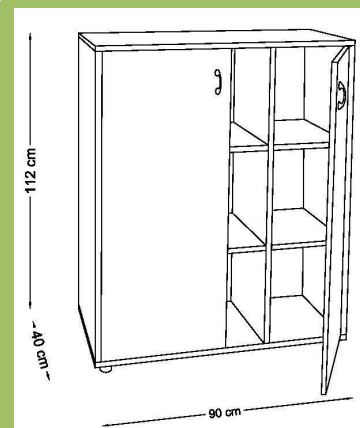
Colour of structure

Beech (E18) and white (E23).

Colour of the shelves and doors

Cherry red (E10), apple green (E13), lavender blue (E14), yellow (E17), beech (E18), orange (E19), dark blue (E20), dark green (E21), pink (E22) and white (E23).

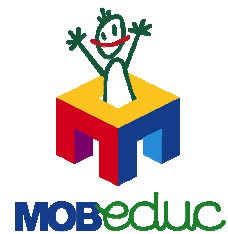
Distributed by:



Measures

Width 90 cm. – Height 112 cm. – Depth 40 cm.

Classroom furniture Wardrobe and shelving storage with 6 horizontal compartments (up)



www.mobeduc.com



Ref.: 600809

Wardrobe and shelving storage with 6 horizontal compartments (up). Manufactured from 19 mm beech melamine, except rear (10mm), doors (16mm) and 2mm PVC edges, finished for both sides. We offer feet in two different heights: 4 cm and 8 cm high. Height adjustable feet are available for uneven floors and surfaces and also feet can be removed from the furniture.

Internal doors to prevent finger trapping for maximum safety and door handles are made in a flexible soft polymer to prevent children to be hurt when falling. Removable furniture with rounded edges to prevent cuts or wounds. Our furniture has no sharp edges making it extra safe for children.

Assembly through sleeves with zoom system, ensuring solid and rigid union. Adjustable shelves attached to the sides by special fixings capable of sustaining stress.

MOBeduc complies with TECNALIA Certification (Safety & Quality standards) in the manufacture of nursery and primary furniture.

TECNALIA offers a global service to the furniture sector by testing and certifying the behaviour of finished furniture and of each of its components with the following methodology:

- Initial inspection of our system of production and control.
- Initial test about the type of product.
- Surveillance, monitoring and evaluation of the quality system.
- Test of raw materials using random samples.
- Test of finished product using random samples.



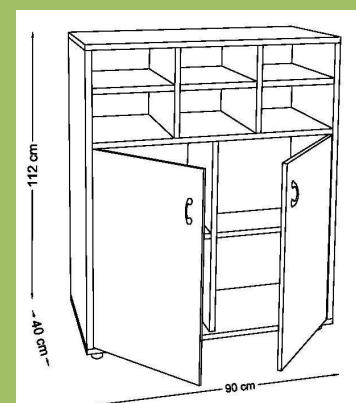
Colour of structure

Beech (E18) and white (E23).

Colour of the shelves and doors

Cherry red (E10), apple green (E13), lavender blue (E14), yellow (E17), beech (E18), orange (E19), dark blue (E20), dark green (E21), pink (E22) and white (E23).

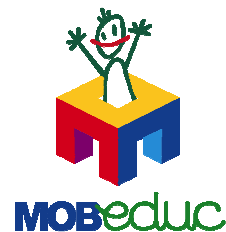
Distributed by:



Measures

Width 90 cm. – Height 112 cm. – Depth 40 cm.

Classroom furniture Wardrobe and shelving storage with 6 horizontal compartments (down)



www.mobeduc.com



Ref.: 600810

Wardrobe and shelving storage with 6 horizontal compartments (down). Manufactured from 19 mm beech melamine, except rear (10mm), doors (16mm) and 2mm PVC edges, finished for both sides. We offer feet in two different heights: 4 cm and 8 cm high. Height adjustable feet are available for uneven floors and surfaces and also feet can be removed from the furniture.

Internal doors to prevent finger trapping for maximum safety and door handles are made in a flexible soft polymer to prevent children to be hurt when falling. Removable furniture with rounded edges to prevent cuts or wounds. Our furniture has no sharp edges making it extra safe for children.

Assembly through sleeves with zoom system, ensuring solid and rigid union. Adjustable shelves attached to the sides by special fixings capable of sustaining stress.

MOBeduc complies with TECNALIA Certification (Safety & Quality standards) in the manufacture of nursery and primary furniture.

TECNALIA offers a global service to the furniture sector by testing and certifying the behaviour of finished furniture and of each of its components with the following methodology:

- Initial inspection of our system of production and control.
- Initial test about the type of product.
- Surveillance, monitoring and evaluation of the quality system.
- Test of raw materials using random samples.
- Test of finished product using random samples.



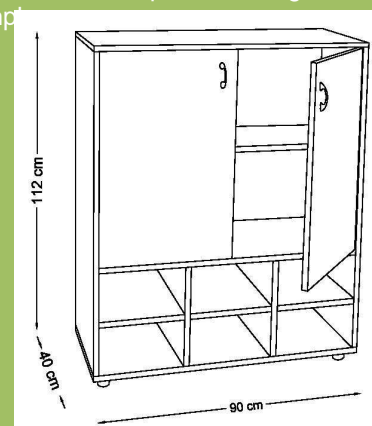
Colour of structure

Beech (E18) and white (E23).

Colour of the shelves and doors

Cherry red (E10), apple green (E13), lavender blue (E14), yellow (E17), beech (E18), orange (E19), dark blue (E20), dark green (E21), pink (E22) and white (E23).

Distributed by:

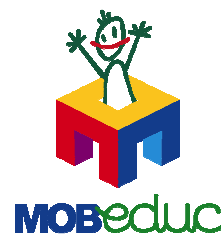


Measures

Width 90 cm. – Height 112 cm. – Depth 40 cm.

Classroom furniture

Shelving storage with 15 compartments



www.mobeduc.com



Ref.: 600811

Shelvins storage with 15 compartments. Manufactured from 19 mm beech melamine, except rear (10mm) and 2mm PVC edges, finished for both sides. We offer feet in two different heights: 4 cm and 8 cm high. Height adjustable feet are available for uneven floors and surfaces and also feet can be removed from the furniture.

Removable furniture with rounded edges to prevent cuts or wounds. Our furniture has no sharp edges making it extra safe for children.

Assembly through sleeves with zoom system, ensuring solid and rigid union. Adjustable shelves attached to the sides by special fixings capable of sustaining stress.

MOBeduc complies with TECNALIA Certification (Safety & Quality standards) in the manufacture of nursery and primary furniture.

TECNALIA offers a global service to the furniture sector by testing and certifying the behaviour of finished furniture and of each of its components with the following methodology:

- Initial inspection of our system of production and control.
- Initial test about the type of product.
- Surveillance, monitoring and evaluation of the quality system.
- Test of raw materials using random samples.
- Test of finished product using random samples.



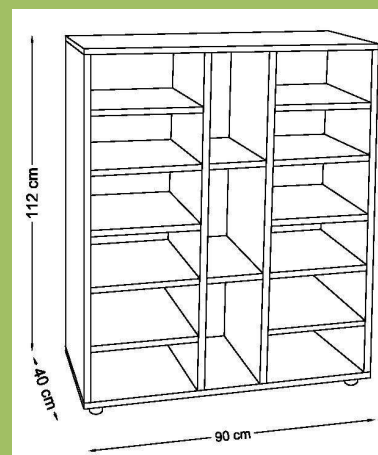
Colour of structure

Beech (E18) and white (E23).

Colour of the shelves

Cherry red (E10), apple green (E13), lavender blue (E14), yellow (E17), beech (E18), orange (E19), dark blue (E20), dark green (E21), pink (E22) and white (E23).

Distributed by:

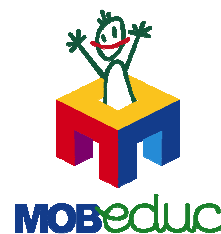


Measures

Width 90 cm. – Height 112 cm. – Depth 40 cm.

Classroom furniture

Shelving storage with 20 compartments



www.mobeduc.com



Ref.: 600812

Shelvins storage with 20 compartments. Manufactured from 19 mm beech melamine, except rear (10mm) and 2mm PVC edges, finished for both sides. We offer feet in two different heights: 4 cm and 8 cm high. Height adjustable feet are available for uneven floors and surfaces and also feet can be removed from the furniture.

Removable furniture with rounded edges to prevent cuts or wounds. Our furniture has no sharp edges making it extra safe for children.

Assembly through sleeves with zoom system, ensuring solid and rigid union. Adjustable shelves attached to the sides by special fixings capable of sustaining stress.

MOBeduc complies with TECNALIA Certification (Safety & Quality standards) in the manufacture of nursery and primary furniture.

TECNALIA offers a global service to the furniture sector by testing and certifying the behaviour of finished furniture and of each of its components with the following methodology:

- Initial inspection of our system of production and control.
- Initial test about the type of product.
- Surveillance, monitoring and evaluation of the quality system.
- Test of raw materials using random samples.
- Test of finished product using random samples.



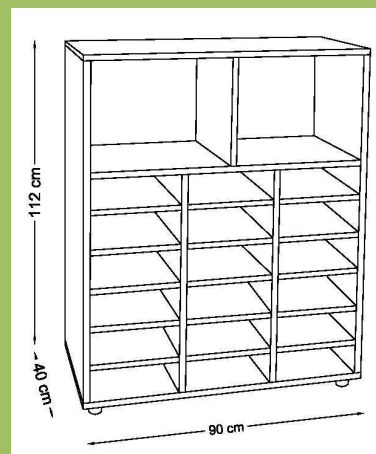
Colour of structure

Beech (E18) and white (E23).

Colour of the shelves

Cherry red (E10), apple green (E13), lavender blue (E14), yellow (E17), beech (E18), orange (E19), dark blue (E20), dark green (E21), pink (E22) and white (E23).

Distributed by:

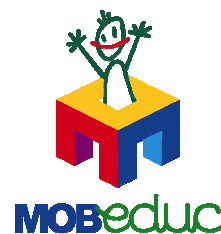


Measures

Width 90 cm. – Height 112 cm. – Depth 40 cm.

Classroom furniture

Shelving storage with 20 compartments



www.mobeduc.com



Ref.: 600813

Shelvins storage with 20 compartments. Manufactured from 19 mm beech melamine, except rear (10mm) and 2mm PVC edges, finished for both sides. We offer feet in two different heights: 4 cm and 8 cm high. Height adjustable feet are available for uneven floors and surfaces and also feet can be removed from the furniture.

Removable furniture with rounded edges to prevent cuts or wounds. Our furniture has no sharp edges making it extra safe for children.

Assembly through sleeves with zoom system, ensuring solid and rigid union. Adjustable shelves attached to the sides by special fixings capable of sustaining stress.

MOBeduc complies with TECNALIA Certification (Safety & Quality standards) in the manufacture of nursery and primary furniture.

TECNALIA offers a global service to the furniture sector by testing and certifying the behaviour of finished furniture and of each of its components with the following methodology:

- Initial inspection of our system of production and control.
- Initial test about the type of product.
- Surveillance, monitoring and evaluation of the quality system.
- Test of raw materials using random samples.
- Test of finished product using random samples.



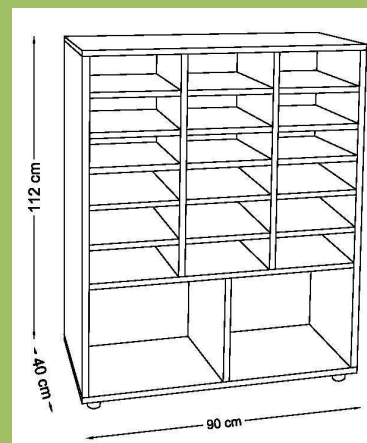
Colour of structure

Beech (E18) and white (E23).

Colour of the shelves

Cherry red (E10), apple green (E13), lavender blue (E14), yellow (E17), beech (E18), orange (E19), dark blue (E20), dark green (E21), pink (E22) and white (E23).

Distributed by:

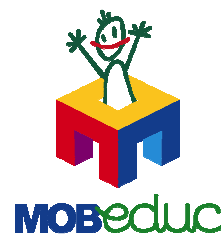


Measures

Width 90 cm. – Height 112 cm. – Depth 40 cm.

Classroom furniture

Shelving storage with 27 compartments



www.mobeduc.com



Ref.: 600814

Shelvins storage with 27 compartments. Manufactured from 19 mm beech melamine, except rear (10mm) and 2mm PVC edges, finished for both sides. We offer feet in two different heights: 4 cm and 8 cm high. Height adjustable feet are available for uneven floors and surfaces and also feet can be removed from the furniture.

Removable furniture with rounded edges to prevent cuts or wounds. Our furniture has no sharp edges making it extra safe for children.

Assembly through sleeves with zoom system, ensuring solid and rigid union. Adjustable shelves attached to the sides by special fixings capable of sustaining stress.

MOBeduc complies with TECNALIA Certification (Safety & Quality standards) in the manufacture of nursery and primary furniture.

TECNALIA offers a global service to the furniture sector by testing and certifying the behaviour of finished furniture and of each of its components with the following methodology:

- Initial inspection of our system of production and control.
- Initial test about the type of product.
- Surveillance, monitoring and evaluation of the quality system.
- Test of raw materials using random samples.
- Test of finished product using random samples.



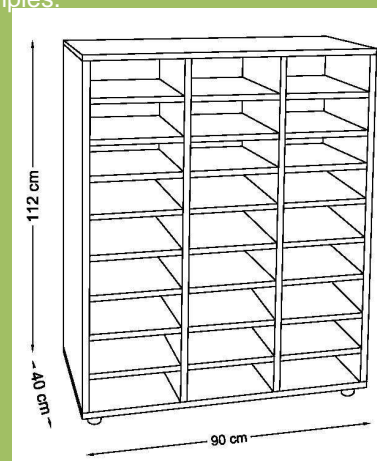
Colour of structure

Beech (E18) and white (E23).

Colour of the shelves

Cherry red (E10), apple green (E13), lavender blue (E14), yellow (E17), beech (E18), orange (E19), dark blue (E20), dark green (E21), pink (E22) and white (E23).

Distributed by:

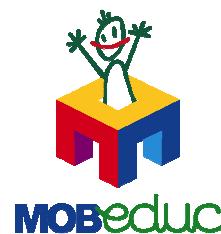


Measures

Width 90 cm. – Height 112 cm. – Depth 40 cm.

Classroom furniture

Low vertical storage furniture with 2 bays with trays



www.mobeduc.com



Ref.: 600815

storage furniture with 2 bays with trays. Manufactured from 19 mm beech melamine, except rear (10mm) and 2mm PVC edges, finished for both sides. We offer feet in two different heights: 4 cm and 8 cm high. Height adjustable feet are available for uneven floors and surfaces and also feet can be removed from the furniture.

Removable furniture with rounded edges to prevent cuts or wounds. Our furniture has no sharp edges making it extra safe for children.

Trays included. Different combinations can be made: two small trays can be replaced by a big one.

Assembly through sleeves with zoom system, ensuring solid and rigid union.

MOBeduc complies with TECNALIA Certification (Safety & Quality standards) in the manufacture of nursery and primary furniture.

TECNALIA offers a global service to the furniture sector by testing and certifying the behaviour of finished furniture and of each of its components with the following methodology:

- Initial inspection of our system of production and control.
- Initial test about the type of product.
- Surveillance, monitoring and evaluation of the quality system.
- Test of raw materials using random samples
- Test of finished product using random samples.



Colour of structure

Beech (E18) and white (E23).

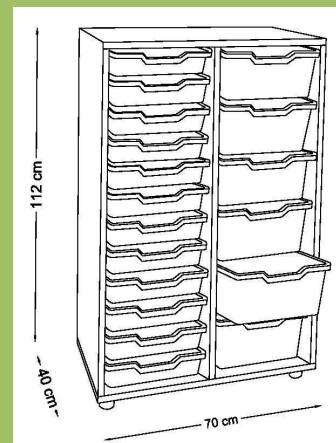
Trays colours

Red, blue, yellow and Green.

Different combinations can be made:

two small trays can be replaced by big one.

Distributed by:

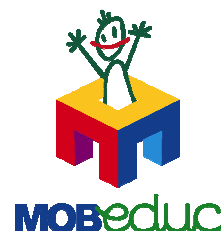


Measures

Width 90 cm. – Height 112 cm. – Depth 40 cm.

Classroom furniture

Wardrobe (1 door) and 1 bay of trays



www.mobeduc.com



Ref.: 600816

Wardrobe (1 door) and 1 bay of trays. Manufactured from 19 mm beech melamine, except rear (10mm), doors (16mm) and 2mm PVC edges, finished for both sides. We offer feet in two different heights: 4 cm and 8 cm high. Height adjustable feet are available for uneven floors and surfaces and also feet can be removed from the furniture.

Trays included. Different combinations can be made: two small trays can be replaced by a big one.

Internal doors to prevent finger trapping for maximum safety and door handles are made in a flexible soft polymer to prevent children to be hurt when falling.

Removable furniture with rounded edges to prevent cuts or wounds. Our furniture has no sharp edges making it extra safe for children.

Assembly through sleeves with zoom system, ensuring solid and rigid union. Adjustable shelves attached to the sides by special fixings capable of sustaining stress.

MOBeduc complies with TECNALIA Certification (Safety & Quality standards) in the manufacture of nursery and primary furniture.

TECNALIA offers a global service to the furniture sector by testing and certifying the behaviour of finished furniture and of each of its components with the following methodology:

- Initial inspection of our system of production and control.
- Initial test about the type of product.
- Surveillance, monitoring and evaluation of the quality system.
- Test of raw materials using random samples.
- Test of samples.



Colour of structure

Beech (E18) and white (E23).

Colour of the shelves and doors

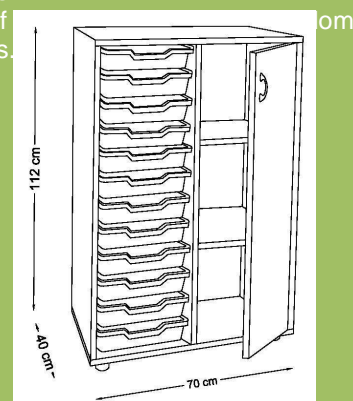
Cherry red (E10), apple green (E13), lavender blue (E14), yellow (E17), beech (E18), orange (E19), dark blue (E20), dark green (E21), pink (E22) and white (E23).

Trays colours

Red, blue, yellow and Green.

Different combinations can be made:
two small trays can be replaced by a big one.

Distributed by:

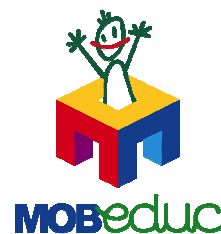


Measures

Width 90 cm. – Height 112 cm. – Depth 40 cm.

Classroom furniture

Wardrobe (2 doors) and 2 bays of trays



www.mobeduc.com



Ref.: 600817

Wardrobe (2 doors) and 2 bays of trays. Manufactured from 19 mm beech melamine, except rear (10mm), doors (16mm) and 2mm PVC edges, finished for both sides. We offer feet in two different heights: 4 cm and 8 cm high. Height adjustable feet are available for uneven floors and surfaces and also feet can be removed from the furniture.

Trays included. Different combinations can be made: two small trays can be replaced by a big one.

Internal doors to prevent finger trapping for maximum safety and door handles are made in a flexible soft polymer to prevent children to be hurt when falling.

Removable furniture with rounded edges to prevent cuts or wounds. Our furniture has no sharp edges making it extra safe for children

Assembly through sleeves with zoom system, ensuring solid and rigid union.

Adjustable shelves attached to the sides by special fixings capable of sustaining stress.

MOBeduc complies with TECNALIA Certification (Safety & Quality standards) in the manufacture of nursery and primary furniture.

TECNALIA offers a global service to the furniture sector by testing and certifying the behaviour of finished furniture and of each of its components with the following methodology:

- Initial inspection of our system of production and control.
- Initial test about the type of product.
- Surveillance, monitoring and evaluation of the quality system.
- Test of raw materials using random samples.
- Test of finished product using random samples.



Colour of structure

Beech (E18) and white (E23).

Colour of the shelves and doors

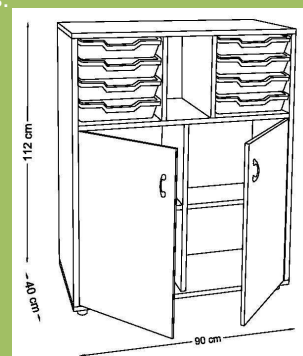
Cherry red (E10), apple green (E13), lavender blue (E14), yellow (E17), beech (E18), orange (E19), dark blue (E20), dark green (E21), pink (E22) and white (E23).

Trays colours

Red, blue, yellow and Green.

Different combinations can be made:
two small trays can be replaced by big one.

Distributed by:

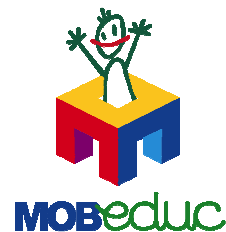


Measures

Width 90 cm. – Height 112 cm. – Depth 40 cm.

Classroom furniture

Shelving storage and 1 bay with trays



www.mobeduc.com



Ref.: 600818

Shelving storage and 1 bay with trays. Manufactured from 19 mm beech melamine, except rear (10mm) and 2mm PVC edges, finished for both sides. We offer feet in two different heights: 4 cm and 8 cm high. Height adjustable feet are available for uneven floors and surfaces and also feet can be removed from the furniture.

Trays included. Different combinations can be made: two small trays can be replaced by a big one. Removable furniture with rounded edges to prevent cuts or wounds. Our furniture has no sharp edges making it extra safe for children.

Assembly through sleeves with zoom system, ensuring solid and rigid union. Adjustable shelves attached to the sides by special fixings capable of sustaining stress.

MObeduc complies with TECNALIA Certification (Safety & Quality standards) in the manufacture of nursery and primary furniture.

TECNALIA offers a global service to the furniture sector by testing and certifying the behaviour of finished furniture and of each of its components with the following methodology:

- Initial inspection of our system of production and control.
- Initial test about the type of product.
- Surveillance, monitoring and evaluation of the quality system.
- Test of raw materials using random samples.
- Test of finished product using random samples.



Colour of structure

Beech (E18) and white (E23).

Colour of the shelves

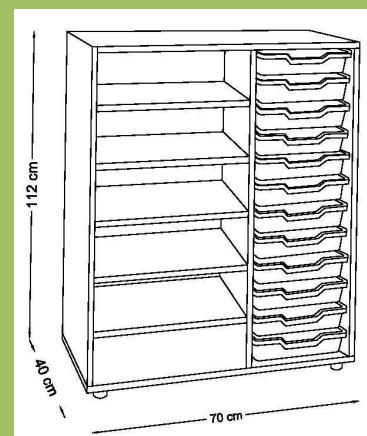
Cherry red (E10), apple green (E13), lavender blue (E14), yellow (E17), beech (E18), orange (E19), dark blue (E20), dark green (E21), pink (E22) and white (E23).

Trays colours

Red, blue, yellow and Green.

Different combinations can be made:
two small trays can be replaced by big one.

Distributed by:

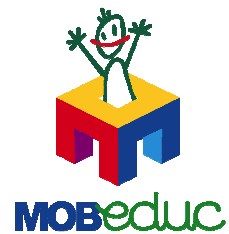


Measures

Width 90 cm. – Height 112 cm. – Depth 40 cm.

Classroom furniture

Shelving storage and 2 bays with trays



www.mobeduc.com



Ref.: 600819



Shelving storage and 2 bays with trays. Manufactured from 19 mm beech melamine, except rear (10mm) and 2mm PVC edges, finished for both sides. We offer feet in two different heights: 4 cm and 8 cm high. Height adjustable feet are available for uneven floors and surfaces and also feet can be removed from the furniture.

Trays included. Different combinations can be made: two small trays can be replaced by a big one..

Removable furniture with rounded edges to prevent cuts or wounds. Our furniture has no sharp edges making it extra safe for children.

Assembly through sleeves with zoom system, ensuring solid and rigid union. Adjustable shelves attached to the sides by special fixings capable of sustaining stress.

MOBeduc complies with TECNALIA Certification (Safety & Quality standards) in the manufacture of nursery and primary furniture.

TECNALIA offers a global service to the furniture sector by testing and certifying the behaviour of finished furniture and of each of its components with the following methodology:

- Initial inspection of our system of production and control.
- Initial test about the type of product.
- Surveillance, monitoring and evaluation of the quality system.
- Test of raw materials using random samples.
- Test of finished product using random samples.



Colour of structure

Beech (E18) and white (E23).

Colour of the shelves

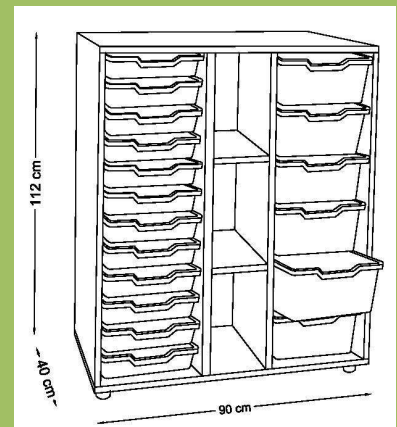
Cherry red (E10), apple green (E13), lavender blue (E14), yellow (E17), beech (E18), orange (E19), dark blue (E20), dark green (E21), pink (E22) and white (E23).

Trays colours

Red, blue, yellow and Green.

Different combinations can be made:
two small trays can be replaced by big one.

Distributed by:

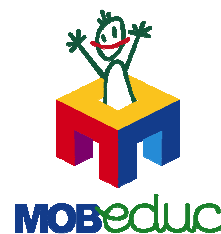


Measures

Width 90 cm. – Heigth 112 cm. – Depth 40 cm.

Classroom furniture

Low vertical storage furniture with 3 bays with trays



www.mobeduc.com



Ref.: 600820

storage furniture with 3 bays with trays. Manufactured from 19 mm beech melamine, except rear (10mm) and 2mm PVC edges, finished for both sides. We offer feet in two different heights: 4 cm and 8 cm high. Height adjustable feet are available for uneven floors and surfaces and also feet can be removed from the furniture.

Removable furniture with rounded edges to prevent cuts or wounds. Our furniture has no sharp edges making it extra safe for children.

Trays included. Different combinations can be made: two small trays can be replaced by a big one.

Assembly through sleeves with zoom system, ensuring solid and rigid union.

MOBeduc complies with TECNALIA Certification (Safety & Quality standards) in the manufacture of nursery and primary furniture.

TECNALIA offers a global service to the furniture sector by testing and certifying the behaviour of finished furniture and of each of its components with the following methodology:

- Initial inspection of our system of production and control.
- Initial test about the type of product.
- Surveillance, monitoring and evaluation of the quality system.
- Test of raw materials using random samples
- Test of finished product using random samples.



Colour of structure

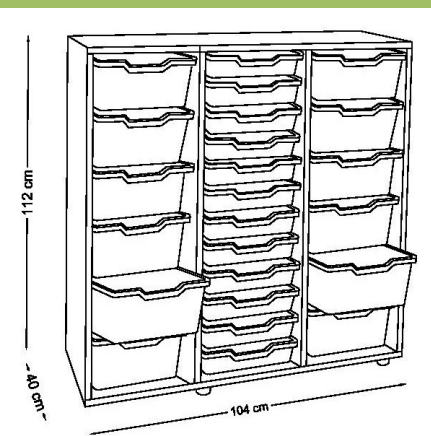
Beech (E18) and white (E23).

Trays colours

Red, blue, yellow and Green.

Different combinations can be made:
two small trays can be replaced by big one.

Distributed by:

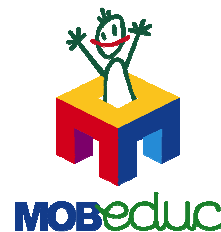


Measures

Width 90 cm. – Height 77 cm. – Depth 40 cm.

Classroom furniture

Shelving corner storage - intermedium



www.mobeduc.com



Ref.: 600825

Intermedium shelving corner furniture, 3 horizontal compartments. Manufactured from 19 mm beech melamine, except rear (10mm) and 2mm PVC edges, finished for both sides. We offer feet in two different heights: 4 cm and 8 cm high. Height adjustable feet are available for uneven floors and surfaces and also feet can be removed from the furniture.

Removable furniture with rounded edges to prevent cuts or wounds. Our furniture has no sharp edges making it extra safe for children

Assembly through sleeves with zoom system, ensuring solid and rigid union. Adjustable shelves attached to the sides by special fixings capable of sustaining stress.

MOBeduc complies with TECNALIA Certification (Safety & Quality standards) in the manufacture of nursery and primary furniture.

TECNALIA offers a global service to the furniture sector by testing and certifying the behaviour of finished furniture and of each of its components with the following methodology:

- Initial inspection of our system of production and control.
- Initial test about the type of product.
- Surveillance, monitoring and evaluation of the quality system.
- Test of raw materials using random samples
- Test of finished product using random samples.



Colour of structure

Beech (E18) and white (E23).

Colour of the shelves

Cherry red (E10), apple green (E13), lavender blue (E14), yellow (E17), beech (E18), orange (E19), dark blue (E20), dark green (E21), pink (E22) and white (E23).

Distributed by:

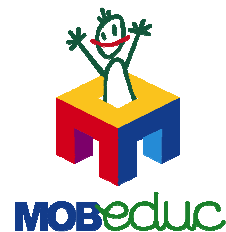


Measures

Width 70 cm. – Height 112 cm. – Depth 70 cm.

Classroom furniture

1 bay of trays, dual acces



www.mobeduc.com



Ref.: 600822

Storage furniture with 1 bay with trays with access on both sides. Manufactured from 19 mm beech melamine, except rear (10mm) and 2 mm PVC edges, finished for both sides. It has swivel castors (6 cm) with brakes to move it easily. Trays included. Different combinations can be made: two small trays can be replaced by a big one.

Removable furniture with rounded edges to prevent cuts or wounds. Our furniture has no sharp edges making it extra safe for children

Assembly through sleeves with zoom system, ensuring solid and rigid union.

MOBeduc complies with TECNALIA Certification (Safety & Quality standards) in the manufacture of nursery and primary furniture.

TECNALIA offers a global service to the furniture sector by testing and certifying the behaviour of finished furniture and of each of its components with the following methodology:

- Initial inspection of our system of production and control.
- Initial test about the type of product.
- Surveillance, monitoring and evaluation of the quality system.
- Test of raw materials using random samples
- Test of finished product using random samples.

E18

E23

Colour of structure

Beech (E18) and white (E23).

Trays colours

Red, blue, yellow and Green.

Different combinations can be made:
two small trays can be replaced by big one.

Distributed by:

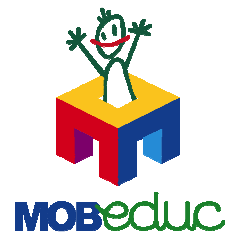


Measures

Width 36 cm. – Heigth 95,5 cm. – Depth 45 cm.

Classroom furniture

2 bays of trays, dual acces



www.mobeduc.com



Ref.: 600823

Storage furniture with 2 bays with trays with access on both sides. Manufactured from 19 mm beech melamine, except rear (10mm) and 2 mm PVC edges, finished for both sides. It has swivel castors (6 cm) with brakes to move it easily. Trays included. Different combinations can be made: two small trays can be replaced by a big one.

Removable furniture with rounded edges to prevent cuts or wounds. Our furniture has no sharp edges making it extra safe for children
Assembly through sleeves with zoom system, ensuring solid and rigid union.

MOBeduc complies with TECNALIA Certification (Safety & Quality standards) in the manufacture of nursery and primary furniture.

TECNALIA offers a global service to the furniture sector by testing and certifying the behaviour of finished furniture and of each of its components with the following methodology:

- Initial inspection of our system of production and control.
- Initial test about the type of product.
- Surveillance, monitoring and evaluation of the quality system.
- Test of raw materials using random samples
- Test of finished product using random samples.



E18

E23

Colour of structure

Beech (E18) and white (E23).

Trays colours

Red, blue, yellow and Green.

Different combinations can be made:
two small trays can be replaced by big one.

Distributed by:

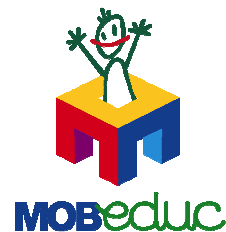


Measures

Width 70 cm. – Heigth 95,5 cm. – Depth 45 cm.

Classroom furniture

3 bays of trays, dual acces



www.mobeduc.com



Ref.: 600824

Storage furniture with 3 bays with trays with access on both sides. Manufactured from 19 mm beech melamine, except rear (10mm) and 2 mm PVC edges, finished for both sides. It has swivel castors (6 cm) with brakes to move it easily.

Trays included. Different combinations can be made: two small trays can be replaced by a big one.

Removable furniture with rounded edges to prevent cuts or wounds. Our furniture has no sharp edges making it extra safe for children

Assembly through sleeves with zoom system, ensuring solid and rigid union.

MOBeduc complies with TECNALIA Certification (Safety & Quality standards) in the manufacture of nursery and primary furniture.

TECNALIA offers a global service to the furniture sector by testing and certifying the behaviour of finished furniture and of each of its components with the following methodology:

- Initial inspection of our system of production and control.
- Initial test about the type of product.
- Surveillance, monitoring and evaluation of the quality system.
- Test of raw materials using random samples
- Test of finished product using random samples.

E18

E23

Colour of structure

Beech (E18) and white (E23).

Trays colours

Red, blue, yellow and Green.

Different combinations can be made:

two small trays can be replaced by big one.

Distributed by:

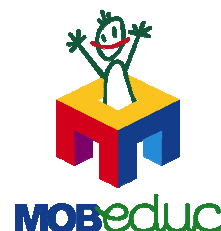


Measures

Width 105 cm. – Height 95,5 cm. – Depth 45 cm

Classroom furniture

Storage furniture – 4 horizontal compartments



www.mobeduc.com



Ref.: 600301

Storage furniture, 4 horizontal compartments. Manufactured from 19 mm beech melamine, except rear (10mm) and 2mm PVC edges, finished for both sides. We offer feet in two different heights: 4 cm and 8 cm high. Height adjustable feet are available for uneven floors and surfaces and also feet can be removed from the furniture.

Removable furniture with rounded edges to prevent cuts or wounds. Our furniture has no sharp edges making it extra safe for children.

Assembly through sleeves with zoom system, ensuring solid and rigid union. Adjustable shelves attached to the sides by special fixings capable of sustaining stress.

MObeduc complies with TECNALIA Certification (Safety & Quality standards) in the manufacture of nursery and primary furniture.

TECNALIA offers a global service to the furniture sector by testing and certifying the behaviour of finished furniture and of each of its components with the following methodology:

- Initial inspection of our system of production and control.
- Initial test about the type of product.
- Surveillance, monitoring and evaluation of the quality system.
- Test of raw materials using random samples
- Test of finished product using random samples.



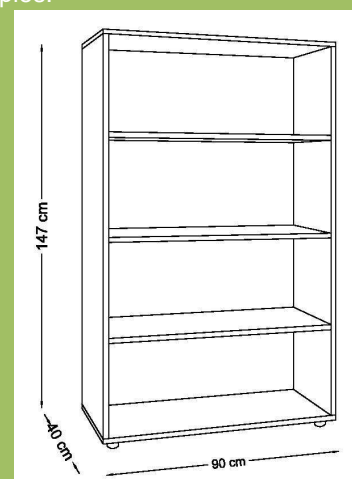
Colour of structure

Beech (E18) and white (E23).

Colour of the shelves

Cherry red (E10), apple green (E13), lavender blue (E14), yellow (E17), beech (E18), orange (E19), dark blue (E20), dark green (E21), pink (E22) and white (E23).

Distributed by:

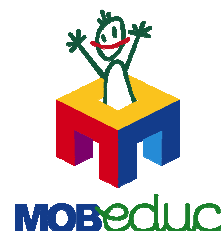


Measures

Width 90 cm. – Height 147 cm. – Depth 40 cm.

Classroom furniture

Reference 600301 with doors



www.mobeduc.com



Ref.: 600302

Manufactured from 19 mm beech melamine, except rear (10mm), doors (16mm) and 2mm PVC edges, finished for both sides. We offer feet in two different heights: 4 cm and 8 cm high. Height adjustable feet are available for uneven floors and surfaces and also feet can be removed from the furniture.

Internal doors to prevent finger trapping for maximum safety and door handles are made in a flexible soft polymer to prevent children to be hurt when falling.

Removable furniture with rounded edges to prevent cuts or wounds. Our furniture has no sharp edges making it extra safe for children.

Assembly through sleeves with zoom system, ensuring solid and rigid union. Adjustable shelves attached to the sides by special fixings capable of sustaining stress.

MOBeduc complies with TECNALIA Certification (Safety & Quality standards) in the manufacture of nursery and primary furniture.

TECNALIA offers a global service to the furniture sector by testing and certifying the behaviour of finished furniture and of each of its components with the following methodology:

- Initial inspection of our system of production and control.
- Initial test about the type of product.
- Surveillance, monitoring and evaluation of the quality system.
- Test of raw materials using random samples.
- Test of finished product using random samples.

E10

E13

E14

E17

E18

E19

E20

E21

E22

E23

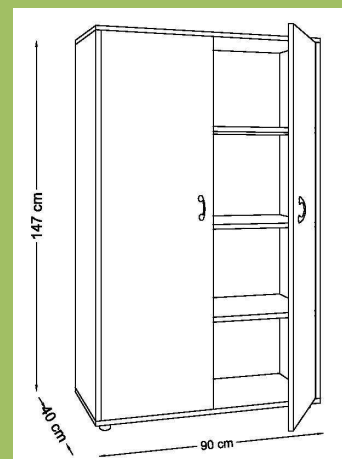
Colour of structure

Beech (E18) and white (E23).

Colour of the shelves and doors

Cherry red (E10), apple green (E13), lavender blue (E14), yellow (E17), beech (E18), orange (E19), dark blue (E20), dark green (E21), pink (E22) and white (E23).

Distributed by:

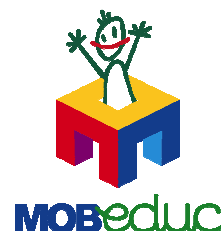


Measures

Width 90 cm. – Height 147 cm. – Depth 40 cm.

Classroom furniture

Medium wardrobe, doors WAVE



www.mobeduc.com



Ref.: 600319

Reference 600301 with 2 doors. Manufactured from 19 mm beech melamine, except rear (10mm) and 2mm PVC edges, finished for both sides. Doors melamine MDF (16mm) with rounded edges and painted with non toxic varnish. We offer feet in two different heights: 4 cm and 8 cm high. Height adjustable feet are available for uneven floors and surfaces and also feet can be removed from the furniture.

Internal doors to prevent finger trapping for maximum safety.

Removable furniture with rounded edges to prevent cuts or wounds. Our furniture has no sharp edges making it extra safe for children.

Assembly through sleeves with zoom system, ensuring solid and rigid union.

Adjustable shelves attached to the sides by special fixings capable of sustaining stress.

MOBeduc complies with TECNALIA Certification (Safety & Quality standards) in the manufacture of nursery and primary furniture.

TECNALIA offers a global service to the furniture sector by testing and certifying the behaviour of finished furniture and of each of its components with the following methodology:

- Initial inspection of our system of production and control.
- Initial test about the type of product.
- Surveillance, monitoring and evaluation of the quality system.
- Test of raw materials using random samples.
- Test of finished product using random samples.



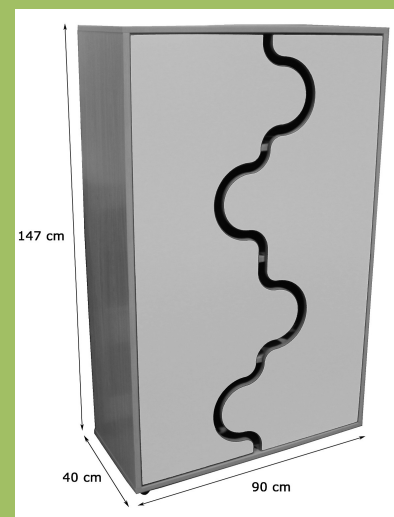
Colour of structure

Beech (E18) and white (E23).

Colour of the shelves and doors

Cherry red (E10), apple green (E13), lavender blue (E14), yellow (E17), beech (E18), orange (E19).

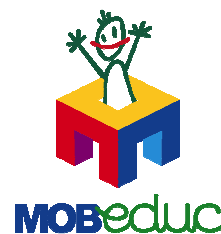
Distributed by:



Measures

Width 90 cm. – Height 147 cm. – Depth 40 cm.

Classroom furniture Wardrobe and shelving storage with 3 horizontal compartments (up)



www.mobeduc.com



Ref.: 600303



Wardrobe and shelving storage with 3 horizontal compartments (up). Manufactured from 19 mm beech melamine, except rear (10mm), doors (16mm) and 2mm PVC edges, finished for both sides. We offer feet in two different heights: 4 cm and 8 cm high. Height adjustable feet are available for uneven floors and surfaces and also feet can be removed from the furniture.

Internal doors to prevent finger trapping for maximum safety and door handles are made in a flexible soft polymer to prevent children to be hurt when falling. Removable furniture with rounded edges to prevent cuts or wounds. Our furniture has no sharp edges making it extra safe for children.

Assembly through sleeves with zoom system, ensuring solid and rigid union. Adjustable shelves attached to the sides by special fixings capable of sustaining stress.

MOBeduc complies with TECNALIA Certification (Safety & Quality standards) in the manufacture of nursery and primary furniture.

TECNALIA offers a global service to the furniture sector by testing and certifying the behaviour of finished furniture and of each of its components with the following methodology:

- Initial inspection of our system of production and control.
- Initial test about the type of product.
- Surveillance, monitoring and evaluation of the quality system.
- Test of raw materials using random samples.
- Test of finished product using random samples.



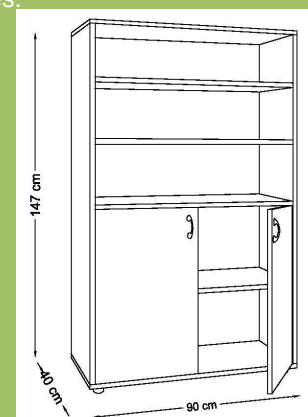
Colour of structure

Beech (E18) and white (E23).

Colour of the shelves and doors

Cherry red (E10), apple green (E13), lavender blue (E14), yellow (E17), beech (E18), orange (E19), dark blue (E20), dark green (E21), pink (E22) and white (E23).

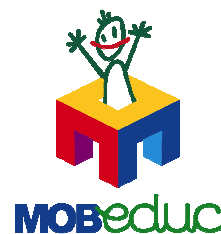
Distributed by:



Measures

Width 90 cm. – Height 147 cm. – Depth 40 cm.

Classroom furniture Wardrobe and shelving storage with 3 horizontal compartments (down)



www.mobeduc.com



Ref.: 600304



Wardrobe and shelving storage with 3 horizontal compartments (down). Manufactured from 19 mm beech melamine, except rear (10mm), doors (16mm) and 2mm PVC edges, finished for both sides. We offer feet in two different heights: 4 cm and 8 cm high. Height adjustable feet are available for uneven floors and surfaces and also feet can be removed from the furniture.

Internal doors to prevent finger trapping for maximum safety and door handles are made in a flexible soft polymer to prevent children to be hurt when falling. Removable furniture with rounded edges to prevent cuts or wounds. Our furniture has no sharp edges making it extra safe for children.

Assembly through sleeves with zoom system, ensuring solid and rigid union. Adjustable shelves attached to the sides by special fixings capable of sustaining stress.

MOBeduc complies with TECNALIA Certification (Safety & Quality standards) in the manufacture of nursery and primary furniture.

TECNALIA offers a global service to the furniture sector by testing and certifying the behaviour of finished furniture and of each of its components with the following methodology:

- Initial inspection of our system of production and control.
- Initial test about the type of product.
- Surveillance, monitoring and evaluation of the quality system.
- Test of raw materials using random samples.
- Test of finished product using random samples.



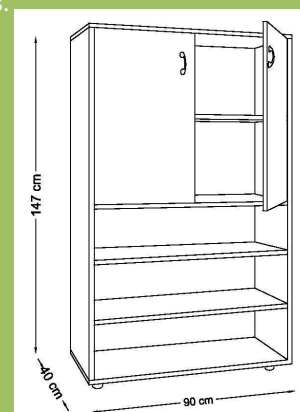
Colour of structure

Beech (E18) and white (E23).

Colour of the shelves and doors

Cherry red (E10), apple green (E13), lavender blue (E14), yellow (E17), beech (E18), orange (E19), dark blue (E20), dark green (E21), pink (E22) and white (E23).

Distributed by:

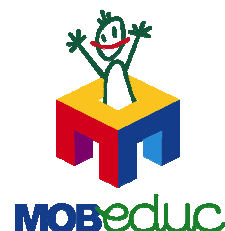


Measures

Width 90 cm. – Height 147 cm. – Depth 40 cm.

Classroom furniture

Vertical shelving storage with 12 compartments



www.mobeduc.com



Ref.: 600305

Vertical shelving storage with 12 compartments. Manufactured from 19 mm beech melamine, except rear (10 mm) and 2 mm PVC edges, finished for both sides. We offer feet in two different heights: 4 cm and 8 cm high. Height adjustable feet are available for uneven floors and surfaces and also feet can be removed from the furniture.

Removable furniture with rounded edges to prevent cuts or wounds. Our furniture has no sharp edges making it extra safe for children.

Assembly through sleeves with zoom system, ensuring solid and rigid union. Adjustable shelves attached to the sides by special fixings capable of sustaining stress.

MOBeduc complies with TECNALIA Certification (Safety & Quality standards) in the manufacture of nursery and primary furniture.

TECNALIA offers a global service to the furniture sector by testing and certifying the behaviour of finished furniture and of each of its components with the following methodology:

- Initial inspection of our system of production and control.
- Initial test about the type of product.
- Surveillance, monitoring and evaluation of the quality system.
- Test of raw materials using random samples
- Test of finished product using random samples.



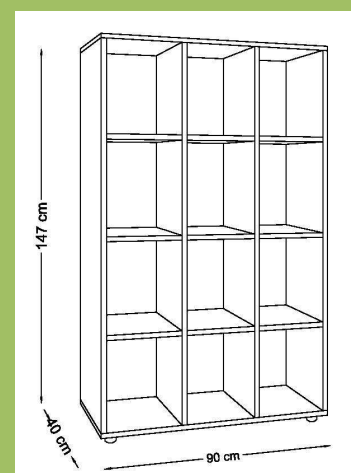
Colour of structure

Beech (E18) and white (E23).

Colour of the shelves

Cherry red (E10), apple green (E13), lavender blue (E14), yellow (E17), beech (E18), orange (E19), dark blue (E20), dark green (E21), pink (E22) and white (E23).

Distributed by:

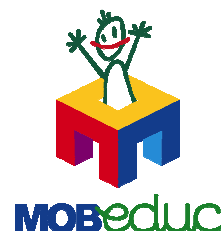


Measures

Width 90 cm. – Height 147 cm. – Depth 40 cm.

Classroom furniture

Reference 600305 with 2 doors



www.mobeduc.com



Ref.: 600306

Reference 600305 with 2 doors. Manufactured from 19 mm beech melamine, except rear (10 mm), Doors (16 mm) and 2 mm PVC edges, finished for both sides. We offer feet in two different heights: 4 cm and 8 cm high. Height adjustable feet are available for uneven floors and surfaces and also feet can be removed from the furniture.

Internal doors to prevent finger trapping for maximum safety and door handles are made in a flexible soft polymer to prevent children to be hurt when falling..

Removable furniture with rounded edges to prevent cuts or wounds. Our furniture has no sharp edges making it extra safe for children.

Assembly through sleeves with zoom system, ensuring solid and rigid union. Adjustable shelves attached to the sides by special fixings capable of sustaining stress.

MOBeduc complies with TECNALIA Certification (Safety & Quality standards) in the manufacture of nursery and primary furniture.

TECNALIA offers a global service to the furniture sector by testing and certifying the behaviour of finished furniture and of each of its components with the following methodology:

- Initial inspection of our system of production and control.
- Initial test about the type of product.
- Surveillance, monitoring and evaluation of the quality system.
- Test of raw materials using random samples.
- Test of finished product using random samples.



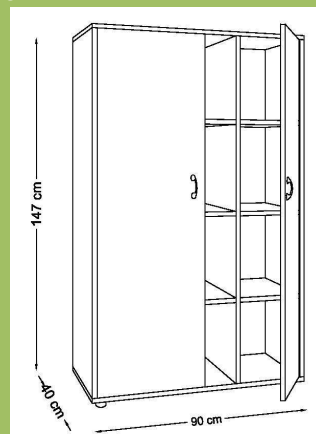
Colour of structure

Beech (E18) and white (E23).

Colour of the shelves and doors

Cherry red (E10), apple green (E13), lavender blue (E14), yellow (E17), beech (E18), orange (E19), dark blue (E20), dark green (E21), pink (E22) and white (E23).

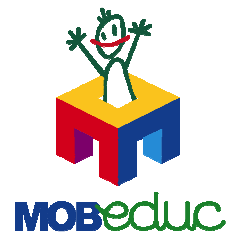
Distributed by:



Measures

Width 90 cm. – Height 147 cm. – Depth 40 cm.

Classroom furniture Wardrobe and shelving storage with 6 vertical compartments (up)



www.mobeduc.com



Ref.: 600307

Wardrobe and shelving storage with 6 vertical compartments (up). Manufactured from 19 mm beech melamine, except rear (10 mm), Doors (16 mm) and 2 mm PVC edges, finished for both sides. We offer feet in two different heights: 4 cm and 8 cm high. Height adjustable feet are available for uneven floors and surfaces and also feet and be removed from the furniture.

Internal doors to prevent finger trapping for maximum safety and door handles are made in a flexible soft polymer to prevent children to be hurt when falling..

Removable furniture with rounded edges to prevent cuts or wounds. Our furniture has no sharp edges making it extra safe for children.

Assembly through sleeves with zoom system, ensuring solid and rigid union. Adjustable shelves attached to the sides by special fixings capable of sustaining stress.

MOBeduc complies with TECNALIA Certification (Safety & Quality standards) in the manufacture of nursery and primary furniture.

TECNALIA offers a global service to the furniture sector by testing and certifying the behaviour of finished furniture and of each of its components with the following methodology:

- Initial inspection of our system of production and control.
- Initial test about the type of product.
- Surveillance, monitoring and evaluation of the quality system.
- Test of raw materials using random samples.
- Test of finished product using random samples.

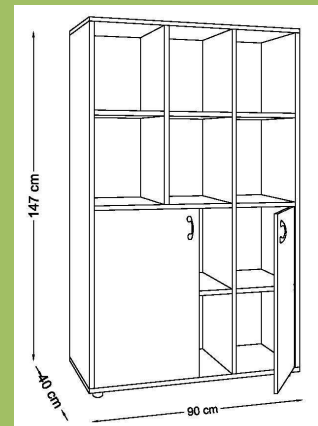


Colour of structure

Beech (E18) and white (E23).

Colour of the shelves and doors

Cherry red (E10), apple green (E13), lavender blue (E14), yellow (E17), beech (E18), orange (E19), dark blue (E20), dark green (E21), pink (E22) and white (E23).



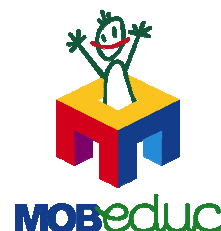
Measures

Width 90 cm. – Height 147 cm. – Depth 40 cm.

Distributed by:

Classroom furniture

Vertical shelving storage with 15 compartments



www.mobeduc.com



Ref.: 600308

Vertical shelving storage with 15 compartments. Manufactured from 19 mm beech melamine, except rear (10 mm) and 2 mm PVC edges, finished for both sides. We offer feet in two different heights: 4 cm and 8 cm high. Height adjustable feet are available for uneven floors and surfaces and also feet can be removed from the furniture.

Removable furniture with rounded edges to prevent cuts or wounds. Our furniture has no sharp edges making it extra safe for children.

Assembly through sleeves with zoom system, ensuring solid and rigid union. Adjustable shelves attached to the sides by special fixings capable of sustaining stress.

MOBeduc complies with TECNALIA Certification (Safety & Quality standards) in the manufacture of nursery and primary furniture.

TECNALIA offers a global service to the furniture sector by testing and certifying the behaviour of finished furniture and of each of its components with the following methodology:

- Initial inspection of our system of production and control.
- Initial test about the type of product.
- Surveillance, monitoring and evaluation of the quality system.
- Test of raw materials using random samples
- Test of finished product using random samples.



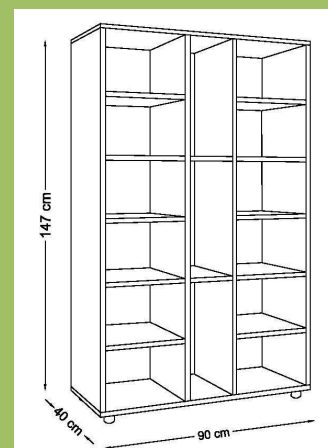
Colour of structure

Beech (E18) and white (E23).

Colour of the shelves

Cherry red (E10), apple green (E13), lavender blue (E14), yellow (E17), beech (E18), orange (E19), dark blue (E20), dark green (E21), pink (E22) and white (E23).

Distributed by:

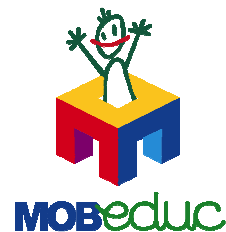


Measures

Width 90 cm. – Height 147 cm. – Depth 40 cm.

Classroom furniture

Wardrobe (4 doors)



www.mobeduc.com



Ref.: 600309

Wardrobe (4 doors). Manufactured from 19 mm beech melamine, except rear (10 mm), doors (16 mm) and 2 mm PVC edges, finished for both sides. We offer feet in two different heights: 4 cm and 8 cm high. Height adjustable feet are available for uneven floors and surfaces and also feet can be removed from the furniture. Internal doors to prevent finger trapping for maximum safety and door handles are made in a flexible soft polymer to prevent children from being hurt when falling. Removable furniture with rounded edges to prevent cuts or wounds. Our furniture has no sharp edges making it extra safe for children.

Assembly through sleeves with zoom system, ensuring solid and rigid union. Adjustable shelves attached to the sides by special fixings capable of sustaining stress.

MObeduc complies with TECNALIA Certification (Safety & Quality standards) in the manufacture of nursery and primary furniture.

TECNALIA offers a global service to the furniture sector by testing and certifying the behaviour of finished furniture and of each of its components with the following methodology:

- Initial inspection of our system of production and control.
- Initial test about the type of product.
- Surveillance, monitoring and evaluation of the quality system.
- Test of raw materials using random samples.
- Test of finished product using random samples.



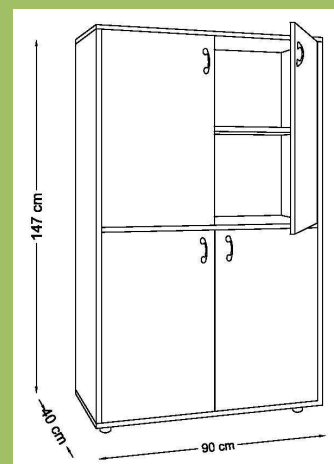
Colour of structure

Beech (E18) and white (E23).

Colour of the shelves and doors

Cherry red (E10), apple green (E13), lavender blue (E14), yellow (E17), beech (E18), orange (E19), dark blue (E20), dark green (E21), pink (E22) and white (E23).

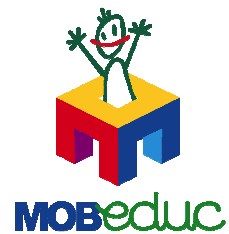
Distributed by:



Measures

Width 90 cm. – Height 147 cm. – Depth 40 cm.

Classroom furniture Wardrobe and shelving storage with 18 horizontal compartments (up)



www.mobeduc.com



Ref.: 600310



Wardrobe and shelving storage with 18 horizontal compartments (up). Manufactured from 19 mm beech melamine, except rear (10 mm), doors (16 mm) and 2 mm PVC edges, finished for both sides. We offer feet in two different heights: 4 cm and 8 cm high. Height adjustable feet are available for uneven floors and surfaces and also feet can be removed from the furniture. Internal doors to prevent finger trapping for maximum safety and door handles are made in a flexible soft polymer to prevent children from being hurt when falling.

Removable furniture with rounded edges to prevent cuts or wounds. Our furniture has no sharp edges making it extra safe for children.

Assembly through sleeves with zoom system, ensuring solid and rigid union. Adjustable shelves attached to the sides by special fixings capable of sustaining stress.

MOBeduc complies with TECNALIA Certification (Safety & Quality standards) in the manufacture of nursery and primary furniture.

TECNALIA offers a global service to the furniture sector by testing and certifying the behaviour of finished furniture and of each of its components with the following methodology:

- Initial inspection of our system of production and control.
- Initial test about the type of product.
- Surveillance, monitoring and evaluation of the quality system.
- Test of raw materials using random samples.
- Test of finished product using random samples.



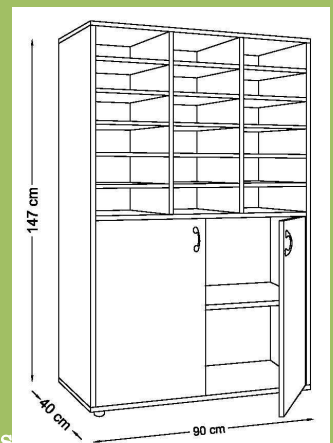
Colour of structure

Beech (E18) and white (E23).

Colour of the shelves and doors

Cherry red (E10), apple green (E13), lavender blue (E14), yellow (E17), beech (E18), orange (E19), dark blue (E20), dark green (E21), pink (E22) and white (E23).

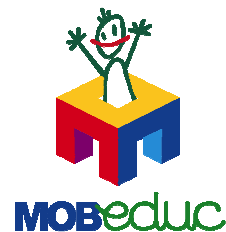
Distributed by:



Measures

Width 90 cm. – Height 147 cm. – Depth 40 cm.

Classroom furniture Wardrobe and shelving storage with 18 horizontal compartments (down)



www.mobeduc.com



Ref.: 600311



Wardrobe and shelving storage with 18 horizontal compartments (down). Manufactured from 19 mm beech melamine, except rear (10 mm), doors (16 mm) and 2 mm PVC edges, finished for both sides. We offer feet in two different heights: 4 cm and 8 cm high. Height adjustable feet are available for uneven floors and surfaces and also feet can be removed from the furniture. Internal doors to prevent finger trapping for maximum safety and door handles are made in a flexible soft polymer to prevent children to be hurt when falling.

Removable furniture with rounded edges to prevent cuts or wounds. Our furniture has no sharp edges making it extra safe for children.

Assembly through sleeves with zoom system, ensuring solid and rigid union. Adjustable shelves attached to the sides by special fixings capable of sustaining stress.

MOBeduc complies with TECNALIA Certification (Safety & Quality standards) in the manufacture of nursery and primary furniture.

TECNALIA offers a global service to the furniture sector by testing and certifying the behaviour of finished furniture and of each of its components with the following methodology:

- Initial inspection of our system of production and control.
- Initial test about the type of product.
- Surveillance, monitoring and evaluation of the quality system.
- Test of raw materials using random samples.
- Test of finished product using random samples.



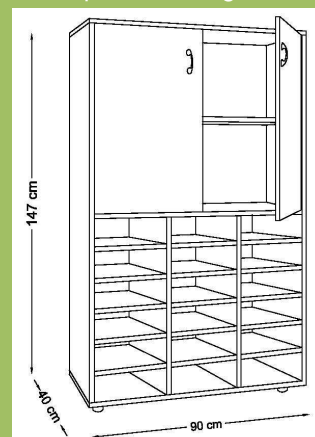
Colour of structure

Beech (E18) and white (E23).

Colour of the shelves and doors

Cherry red (E10), apple green (E13), lavender blue (E14), yellow (E17), beech (E18), orange (E19), dark blue (E20), dark green (E21), pink (E22) and white (E23).

Distributed by:

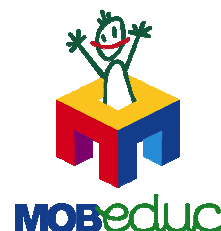


Measures

Width 90 cm. – Height 147 cm. – Depth 40 cm.

Classroom furniture

Vertical shelving storage with 36 compartments



www.mobeduc.com



Ref.: 600312

Vertical shelving storage with 36 compartments. Manufactured from 19 mm beech melamine, except rear (10 mm) and 2 mm PVC edges, finished for both sides. We offer feet in two different heights: 4 cm and 8 cm high. Height adjustable feet are available for uneven floors and surfaces and also feet can be removed from the furniture.

Removable furniture with rounded edges to prevent cuts or wounds. Our furniture has no sharp edges making it extra safe for children.

Assembly through sleeves with zoom system, ensuring solid and rigid union. Adjustable shelves attached to the sides by special fixings capable of sustaining stress.

MOBeduc complies with TECNALIA Certification (Safety & Quality standards) in the manufacture of nursery and primary furniture.

TECNALIA offers a global service to the furniture sector by testing and certifying the behaviour of finished furniture and of each of its components with the following methodology:

- Initial inspection of our system of production and control.
- Initial test about the type of product.
- Surveillance, monitoring and evaluation of the quality system.
- Test of raw materials using random samples
- Test of finished product using random samples.



Colour of structure

Beech (E18) and white (E23).

Colour of the shelves

Cherry red (E10), apple green (E13), lavender blue (E14), yellow (E17), beech (E18), orange (E19), dark blue (E20), dark green (E21), pink (E22) and white (E23).

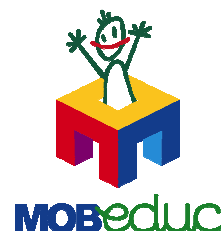
Distributed by:

Measures

Width 90 cm. – Height 147 cm. – Depth 40 cm.

Classroom furniture

Shelving storage and 2 bays with trays



www.mobeduc.com



Ref.: 600313



Shelving storage and 2 bays with trays. Manufactured from 19 mm beech melamine, except rear (10mm) and 2mm PVC edges, finished for both sides. We offer feet in two different heights: 4 cm and 8 cm high. Height adjustable feet are available for uneven floors and surfaces and also feet can be removed from the furniture.

Trays included.

Different combinations can be made: two small trays can be replaced by a big one. Removable furniture with rounded edges to prevent cuts or wounds. Our furniture has no sharp edges making it extra safe for children.

Assembly through sleeves with zoom system, ensuring solid and rigid union. Adjustable shelves attached to the sides by special fixings capable of sustaining stress.

MOBeduc complies with TECNALIA Certification (Safety & Quality standards) in the manufacture of nursery and primary furniture.

TECNALIA offers a global service to the furniture sector by testing and certifying the behaviour of finished furniture and of each of its components with the following methodology:

- Initial inspection of our system of production and control.
- Initial test about the type of product.
- Surveillance, monitoring and evaluation of the quality system.
- Test of raw materials using random samples.
- Test of finished product using random samples.



Colour of structure

Beech (E18) and white (E23).

Colour of the shelves and doors

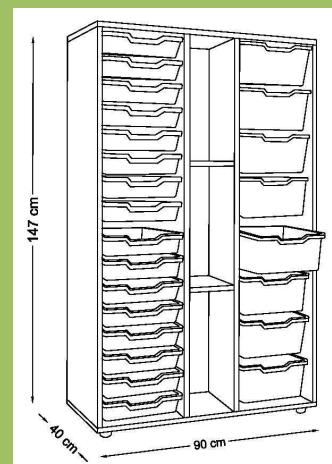
Cherry red (E10), apple green (E13), lavender blue (E14), yellow (E17), beech (E18), orange (E19), dark blue (E20), dark green (E21), pink (E22) and white (E23).

Trays colours

Red, blue, yellow and Green.

Different combinations can be made:
two small trays can be replaced by big one.

Distributed by:

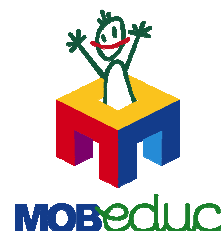


Measures

Width 90 cm. – Height 147 cm. – Depth 40 cm.

Classroom furniture

Shelving storage and 2 bays with trays



www.mobeduc.com



Ref.: 600314



Shelving storage and 2 bays with trays. Manufactured from 19 mm beech melamine, except rear (10mm) and 2mm PVC edges, finished for both sides. We offer feet in two different heights: 4 cm and 8 cm high. Height adjustable feet are available for uneven floors and surfaces and also feet can be removed from the furniture.

Trays included.

Different combinations can be made: two small trays can be replaced by a big one. Removable furniture with rounded edges to prevent cuts or wounds. Our furniture has no sharp edges making it extra safe for children.

Assembly through sleeves with zoom system, ensuring solid and rigid union. Adjustable shelves attached to the sides by special fixings capable of sustaining stress.

MOBeduc complies with TECNALIA Certification (Safety & Quality standards) in the manufacture of nursery and primary furniture.

TECNALIA offers a global service to the furniture sector by testing and certifying the behaviour of finished furniture and of each of its components with the following methodology:

- Initial inspection of our system of production and control.
- Initial test about the type of product.
- Surveillance, monitoring and evaluation of the quality system.
- Test of raw materials using random samples.
- Test of finished product using random samples.



Colour of structure

Beech (E18) and white (E23).

Colour of the shelves and doors

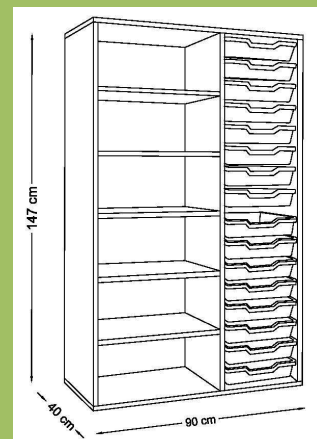
Cherry red (E10), apple green (E13), lavender blue (E14), yellow (E17), beech (E18), orange (E19), dark blue (E20), dark green (E21), pink (E22) and white (E23).

Trays colours

Red, blue, yellow and Green.

Different combinations can be made:
two small trays can be replaced by big one.

Distributed by:

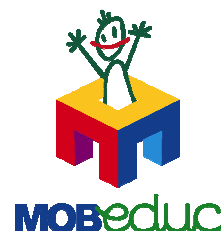


Measures

Width 90 cm. – Height 147 cm. – Depth 40 cm.

Classroom furniture

Wardrobe with 4 doors and trays



www.mobeduc.com



Ref.: 600315

Wardrobe with 4 doors and trays. Manufactured from 19 mm beech melamine, except rear (10mm), doors (16mm) and 2mm PVC edges, finished for both sides. We offer feet in two different heights: 4 cm and 8 cm high. Height adjustable feet are available for uneven floors and surfaces and also feet can be removed from the furniture.

Trays included.

Different Combinations can be made: two small trays can be replaced by a big one. Internal doors to prevent finger trapping for maximum safety and door handles are made in a flexible soft polymer to prevent children to be hurt when falling.

Removable furniture with rounded edges to prevent cuts or wounds. Our furniture has no sharp edges making it extra safe for children.

Assembly through sleeves with zoom system, ensuring solid and rigid union. Adjustable shelves attached to the sides by special fixings capable of sustaining stress.

MOBeduc complies with TECNALIA Certification (Safety & Quality standards) in the manufacture of nursery and primary furniture.

TECNALIA offers a global service to the furniture sector by testing and certifying the behaviour of finished furniture and of each of its components with the following methodology:

- Initial inspection of our system of production and control.
- Initial test about the type of product.
- Surveillance, monitoring and evaluation of the quality system.
- Test of raw materials using random samples.
- Test of finished product using random samples.

E10

E13

E14

E17

E18

E19

E20

E21

E22

E23

Colour of structure

Beech (E18) and white (E23).

Colour of the shelves and doors

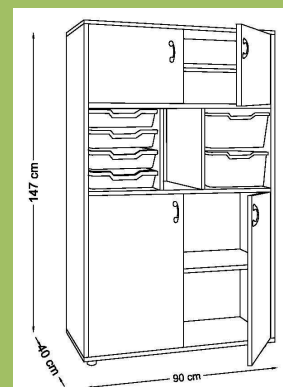
Cherry red (E10), apple green (E13), lavender blue (E14), yellow (E17), beech (E18), orange (E19), dark blue (E20), dark green (E21), pink (E22) and white (E23).

Trays colours

Red, blue, yellow and Green.

Different combinations can be made:
two small trays can be replaced by big one.

Distributed by:

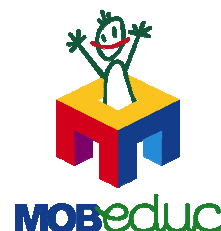


Measures

Width 90 cm. – Height 147 cm. – Depth 40 cm.

Classroom furniture

Wardrobe (down) and trays (up)



www.mobeduc.com



Ref.: 600316

Wardrobe (down) and trays (up). Manufactured from 19 mm beech melamine, except rear (10mm), doors (16mm) and 2mm PVC edges, finished for both sides. We offer feet in two different heights: 4 cm and 8 cm high. Height adjustable feet are available for uneven floors and surfaces and also feet can be removed from the furniture.

Internal doors to prevent finger trapping for maximum safety and door handles are made in a flexible soft polymer to prevent children to be hurt when falling. Removable furniture with rounded edges to prevent cuts or wounds. Our furniture has no sharp edges making it extra safe for children.

Assembly through sleeves with zoom system, ensuring solid and rigid union. Adjustable shelves attached to the sides by special fixings capable of sustaining stress.

MOBeduc complies with TECNALIA Certification (Safety & Quality standards) in the manufacture of nursery and primary furniture.

TECNALIA offers a global service to the furniture sector by testing and certifying the behaviour of finished furniture and of each of its components with the following methodology:

- Initial inspection of our system of production and control.
- Initial test about the type of product.
- Surveillance, monitoring and evaluation of the quality system.
- Test of raw materials using random samples.
- Test of finished product using random samples.



Colour of structure

Beech (E18) and white (E23).

Colour of the shelves and doors

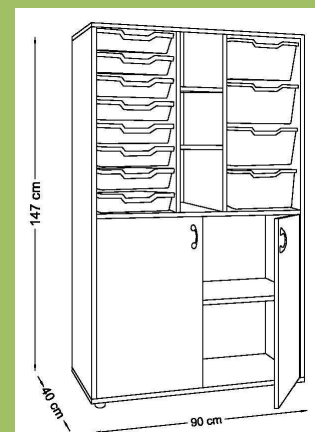
Cherry red (E10), apple green (E13), lavender blue (E14), yellow (E17), beech (E18), orange (E19), dark blue (E20), dark green (E21), pink (E22) and white (E23).

Trays colours

Red, blue, yellow and Green.

Different combinations can be made:
two small trays can be replaced by big one.

Distributed by:

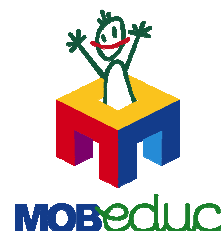


Measures

Width 90 cm. – Height 147 cm. – Depth 40 cm.

Classroom furniture

Wardrobe (up) and trays (down)



www.mobeduc.com



Ref.: 600317

Wardrobe (up) and trays (down). Manufactured from 19 mm beech melamine, except rear (10mm), doors (16mm) and 2mm PVC edges, finished for both sides. We offer feet in two different heights: 4 cm and 8 cm high. Height adjustable feet are available for uneven floors and surfaces and also feet can be removed from the furniture.

Internal doors to prevent finger trapping for maximum safety and door handles are made in a flexible soft polymer to prevent children to be hurt when falling. Removable furniture with rounded edges to prevent cuts or wounds. Our furniture has no sharp edges making it extra safe for children.

Assembly through sleeves with zoom system, ensuring solid and rigid union. Adjustable shelves attached to the sides by special fixings capable of sustaining stress.

MOBeduc complies with TECNALIA Certification (Safety & Quality standards) in the manufacture of nursery and primary furniture.

TECNALIA offers a global service to the furniture sector by testing and certifying the behaviour of finished furniture and of each of its components with the following methodology:

- Initial inspection of our system of production and control.
- Initial test about the type of product.
- Surveillance, monitoring and evaluation of the quality system.
- Test of raw materials using random samples.
- Test of finished product using random samples.



Colour of structure

Beech (E18) and white (E23).

Colour of the shelves and doors

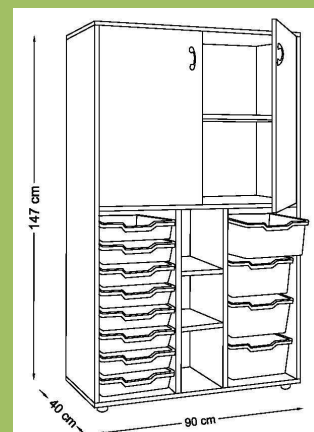
Cherry red (E10), apple green (E13), lavender blue (E14), yellow (E17), beech (E18), orange (E19), dark blue (E20), dark green (E21), pink (E22) and white (E23).

Trays colours

Red, blue, yellow and Green.

Different combinations can be made:
two small trays can be replaced by big one.

Distributed by:

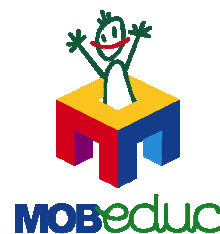


Measures

Width 90 cm. – Height 147 cm. – Depth 40 cm.

Classroom furniture

Wardrobe, bookcase and trays



www.mobeduc.com



Ref.: 600318

Wardrobe, bookcase and trays. Manufactured from 19 mm beech melamine, except rear (10mm), doors (16mm) and 2mm PVC edges, finished for both sides. We offer feet in two different heights: 4 cm and 8 cm high. Height adjustable feet are available for uneven floors and surfaces and also feet can be removed from the furniture.

Trays included. Different Combinations can be made: two small trays can be replaced by a big one. Internal doors to prevent finger trapping for maximum safety and door handles are made in a flexible soft polymer to prevent children to be hurt when falling. Removable furniture with rounded edges to prevent cuts or wounds. Our furniture has no sharp edges making it extra safe for children.

Assembly through sleeves with zoom system, ensuring solid and rigid union. Adjustable shelves attached to the sides by special fixings capable of sustaining stress.

MOBeduc complies with TECNALIA Certification (Safety & Quality standards) in the manufacture of nursery and primary furniture.

TECNALIA offers a global service to the furniture sector by testing and certifying the behaviour of finished furniture and of each of its components with the following methodology:

- Initial inspection of our system of production and control.
- Initial test about the type of product.
- Surveillance, monitoring and evaluation of the quality system.
- Test of raw materials using random samples.
- Test of finished product using random samples.



Colour of structure

Beech (E18) and white (E23).

Colour of the shelves and doors

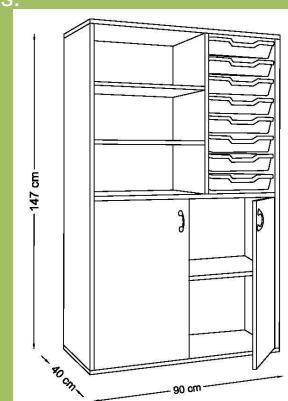
Cherry red (E10), apple green (E13), lavender blue (E14), yellow (E17), beech (E18), orange (E19), dark blue (E20), dark green (E21), pink (E22) and white (E23).

Trays colours

Red, blue, yellow and Green.

Different combinations can be made:
two small trays can be replaced by big one.

Distributed by:

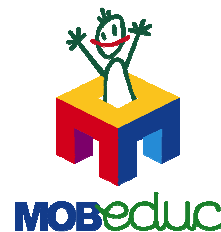


Measures

Width 90 cm. – Height 147 cm. – Depth 40 cm.

Classroom furniture

Shelving corner storage - medium



www.mobeduc.com



Ref.: 600320

Medium shelving corner furniture, 4 horizontal compartments. Manufactured from 19 mm beech melamine, except rear (10mm) and 2mm PVC edges, finished for both sides. We offer feet in two different heights: 4 cm and 8 cm high. Height adjustable feet are available for uneven floors and surfaces and also feet can be removed from the furniture.

Removable furniture with rounded edges to prevent cuts or wounds. Our furniture has no sharp edges making it extra safe for children

Assembly through sleeves with zoom system, ensuring solid and rigid union. Adjustable shelves attached to the sides by special fixings capable of sustaining stress.

MOBeduc complies with TECNALIA Certification (Safety & Quality standards) in the manufacture of nursery and primary furniture.

TECNALIA offers a global service to the furniture sector by testing and certifying the behaviour of finished furniture and of each of its components with the following methodology:

- Initial inspection of our system of production and control.
- Initial test about the type of product.
- Surveillance, monitoring and evaluation of the quality system.
- Test of raw materials using random samples
- Test of finished product using random samples.



Colour of structure

Beech (E18) and white (E23).

Colour of the shelves

Cherry red (E10), apple green (E13), lavender blue (E14), yellow (E17), beech (E18), orange (E19), dark blue (E20), dark green (E21), pink (E22) and white (E23).

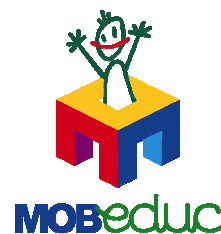
Distributed by:



Measures

Width 70 cm. – Height 147 cm. – Depth 70 cm.

High shelves



www.mobeduc.com



Ref.: 600401



High shelves. Manufactured from 19 mm beech melamine, except rear (10mm) and 2mm PVC edges, finished for both sides. We offer feet in two different heights: 4 cm and 8 cm high. Height adjustable feet are available for uneven floors and surfaces and also feet can be removed from the furniture.

Removable furniture with rounded edges to prevent cuts or wounds. Our furniture has no sharp edges making it extra safe for children. Assembly through sleeves with zoom system, ensuring solid and rigid union. Adjustable shelves attached to the sides by special fixings capable of sustaining stress.

For complete safe, this furniture must be screwed to the wall.

MOBeduc complies with TECNALIA Certification (Safety & Quality standards) in the manufacture of nursery and primary furniture.

TECNALIA offers a global service to the furniture sector by testing and certifying the behaviour of finished furniture and of each of its components with the following methodology:

- Initial inspection of our system of production and control.
- Initial test about the type of product.
- Surveillance, monitoring and evaluation of the quality system.
- Test of raw materials using random samples.
- Test of finished product using random samples.



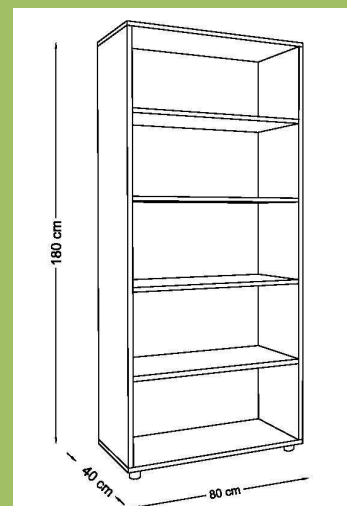
Colour of the structure

Beech (E18) and White (E23)

Colours of the shelves

Cherry red (E10), Apple green (E13), lavender blue (E14), yellow (E17), beech (E18), orange (E19), dark blue (E20), dark green (E21), pink (E22) and white (E23).

Distributed by:

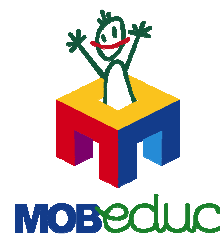


Measures:

Width 80 cm. – Height 180 cm. – Depth 40 cm.

Classroom furniture

High wardrobe with 2 doors



www.mobeduc.com



Ref.: 600402



High wardrobe with 2 doors. Manufactured from 19 mm beech melamine, except rear (10mm), doors (16mm) and 2mm PVC edges, finished for both sides. We offer feet in two different heights: 4 cm and 8 cm high. Height adjustable feet are available for uneven floors and surfaces and also feet can be removed from the furniture.

Internal doors to prevent finger trapping for maximum safety and door handles are made in a flexible soft polymer to prevent children to be hurt when falling. Removable furniture with rounded edges to prevent cuts or wounds. Our furniture has no sharp edges making it extra safe for children. Assembly through sleeves with zoom system, ensuring solid and rigid union. Adjustable shelves attached to the sides by special fixings capable of sustaining stress.

For complete safe, this furniture must be screwed to the wall.

MOBeduc complies with TECNALIA Certification (Safety & Quality standards) in the manufacture of nursery and primary furniture.

TECNALIA offers a global service to the furniture sector by testing and certifying the behaviour of finished furniture and of each of its components with the following methodology:

- Initial inspection of our system of production and control.
- Initial test about the type of product.
- Surveillance, monitoring and evaluation of the quality system.
- Test of raw materials using random samples.
- Test of finished product using random samples.



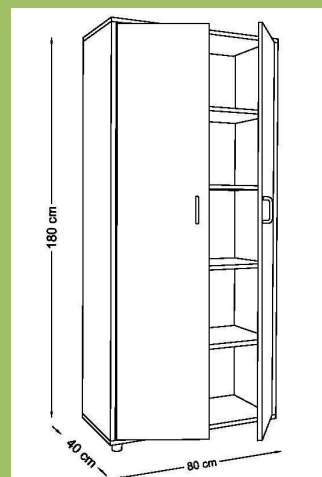
Colour of the structure

Beech (E18) and white

Colours of the shelves and doors

Cherry red (E10), Apple green (E13), lavender blue (E14), yellow (E17), beech (E18), orange (E19), dark blue (E20), dark green (E21), pink (E22) and white (E23).

Distributed by:

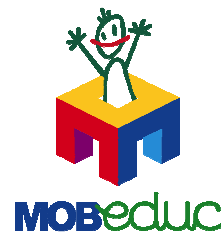


Measures:

Width 80 cm. – Height 180 cm. – Depth 40 cm.

Classroom furniture

High wardrobe, doors WAVE



www.mobeduc.com



Ref.: 600410

Reference 600401 with 2 doors. Manufactured from 19 mm beech melamine, except rear (10mm) and 2mm PVC edges, finished for both sides. Doors melamine MDF (16mm) with rounded edges and painted with non toxic varnish. We offer feet in two different heights: 4 cm and 8 cm high. Height adjustable feet are available for uneven floors and surfaces and also feet can be removed from the furniture.

Internal doors to prevent finger trapping for maximum safety.

Removable furniture with rounded edges to prevent cuts or wounds. Our furniture has no sharp edges making it extra safe for children.

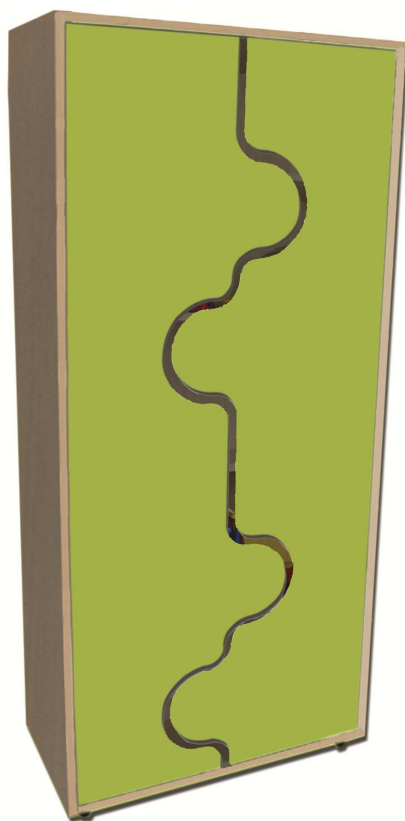
Assembly through sleeves with zoom system, ensuring solid and rigid union.

Adjustable shelves attached to the sides by special fixings capable of sustaining stress.

MOBeduc complies with TECNALIA Certification (Safety & Quality standards) in the manufacture of nursery and primary furniture.

TECNALIA offers a global service to the furniture sector by testing and certifying the behaviour of finished furniture and of each of its components with the following methodology:

- Initial inspection of our system of production and control.
- Initial test about the type of product.
- Surveillance, monitoring and evaluation of the quality system.
- Test of raw materials using random samples.
- Test of finished product using random samples.



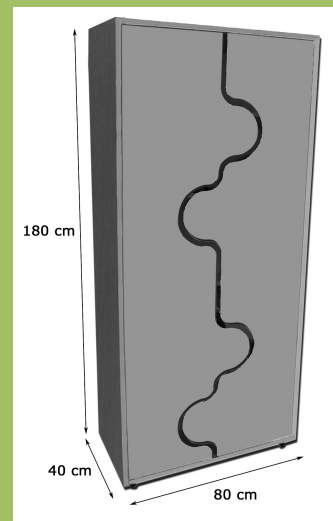
Colour of structure

Beech (E18) and white (E23).

Colour of the shelves and doors

Cherry red (E10), apple green (E13), lavender blue (E14), yellow (E17), beech (E18), orange (E19).

Distributed by:

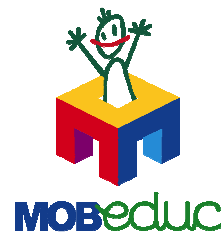


Measures

Width 80 cm. – Height 180 cm. – Depth 40 cm.

Classroom furniture

High wardrobe with 4 doors



www.mobeduc.com



Ref.: 600403



High wardrobe with 4 doors. Manufactured from 19 mm beech melamine, except rear (10mm), doors (16mm) and 2mm PVC edges, finished for both sides. We offer feet in two different heights: 4 cm and 8 cm high. Height adjustable feet are available for uneven floors and surfaces and also feet can be removed from the furniture.

Internal doors to prevent finger trapping for maximum safety and door handles are made in a flexible soft polymer to prevent children to be hurt when falling. Removable furniture with rounded edges to prevent cuts or wounds. Our furniture has no sharp edges making it extra safe for children. Assembly through sleeves with zoom system, ensuring solid and rigid union. Adjustable shelves attached to the sides by special fixings capable of sustaining stress.

For complete safe, this furniture must be screwed to the wall.

MOBeduc complies with TECNALIA Certification (Safety & Quality standards) in the manufacture of nursery and primary furniture.

TECNALIA offers a global service to the furniture sector by testing and certifying the behaviour of finished furniture and of each of its components with the following methodology:

- Initial inspection of our system of production and control.
- Initial test about the type of product.
- Surveillance, monitoring and evaluation of the quality system.
- Test of raw materials using random samples.
- Test of finished product using random samples.



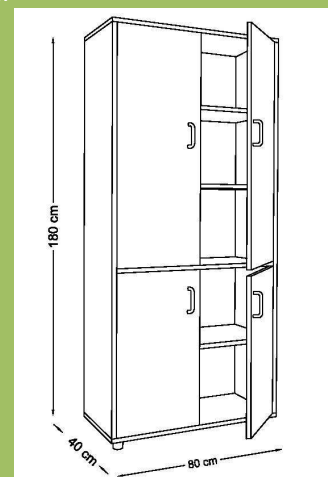
Colour of the structure

Beech (E18) and white

Colours of the shelves and doors

Cherry red (E10), Apple green (E13), lavender blue (E14), yellow (E17), beech (E18), orange (E19), dark blue (E20), dark green (E21), pink (E22) and white (E23).

Distributed by:

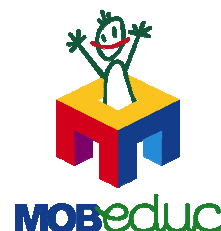


Measures:

Width 80 cm. – Height 180 cm. – Depth 40 cm.

Classroom furniture

2 Wardrobe (4 doors) and 1 bokcase in the middle



www.mobeduc.com



Ref.: 600407



2 Wardrobe (4 doors) and 1 bokcase in the middle. Manufactured from 19 mm beech melamine, except rear (10mm), doors (16mm) and 2mm PVC edges, finished for both sides. We offer feet in two different heights: 4 cm and 8 cm high. Height adjustable feet are available for uneven floors and surfaces and also feet can be removed from the furniture.

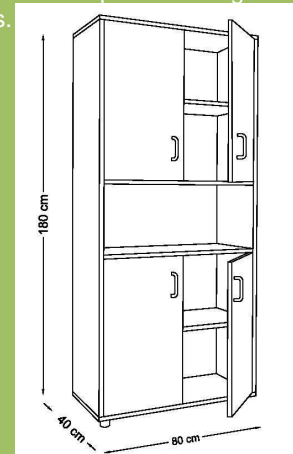
For complete safe, this furniture must be screwed to the wall. Internal doors to prevent finger trapping for maximum safety and door handles are made in a flexible soft polymer to prevent children to be hurt when falling. Removable furniture with rounded edges to prevent cuts or wounds. Our furniture has no sharp edges making it extra safe for children. Assembly through sleeves with zoom system, ensuring solid and rigid union. Adjustable shelves attached to the sides by special fixings capable of sustaining stress.

For complete safe, this furniture must be screwed to the wall.

MOBeduc complies with TECNALIA Certification (Safety & Quality standards) in the manufacture of nursery and primary furniture.

TECNALIA offers a global service to the furniture sector by testing and certifying the behaviour of finished furniture and of each of its components with the following methodology:

- Initial inspection of our system of production and control.
- Initial test about the type of product.
- Surveillance, monitoring and evaluation of the quality system.
- Test of raw materials using random samples.
- Test of finished product using random samples.



Measures:

Width 80 cm. – Height 180 cm. – Depth 40 cm.

E10

E13

E14

E17

E18

E19

E20

E21

E22

E23

Colour of the structure

Beech (E18) and white

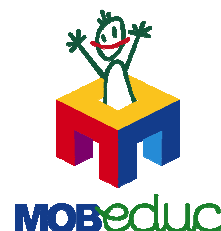
Colours of the shelves and doors

Cherry red (E10), Apple green (E13), lavender blue (E14), yellow (E17), beech (E18), orange (E19), dark blue (E20), dark green (E21), pink (E22) and white (E23).

Distributed by:

Classroom furniture

High wardrobe and shelves



www.mobeduc.com



Ref.: 600404



High wardrobe and shelves. Manufactured from 19 mm beech melamine, except rear (10mm), doors (16mm) and 2mm PVC edges, finished for both sides. We offer feet in two different heights: 4 cm and 8 cm high. Height adjustable feet are available for uneven floors and surfaces and also feet can be removed from the furniture.

Internal doors to prevent finger trapping for maximum safety and door handles are made in a flexible soft polymer to prevent children to be hurt when falling. Removable furniture with rounded edges to prevent cuts or wounds. Our furniture has no sharp edges making it extra safe for children. Assembly through sleeves with zoom system, ensuring solid and rigid union. Adjustable shelves attached to the sides by special fixings capable of sustaining stress.

For complete safe, this furniture must be screwed to the wall.

MOBeduc complies with TECNALIA Certification (Safety & Quality standards) in the manufacture of nursery and primary furniture.

TECNALIA offers a global service to the furniture sector by testing and certifying the behaviour of finished furniture and of each of its components with the following methodology:

- Initial inspection of our system of production and control.
- Initial test about the type of product.
- Surveillance, monitoring and evaluation of the quality system.
- Test of raw materials using random samples.
- Test of finished product using random samples.



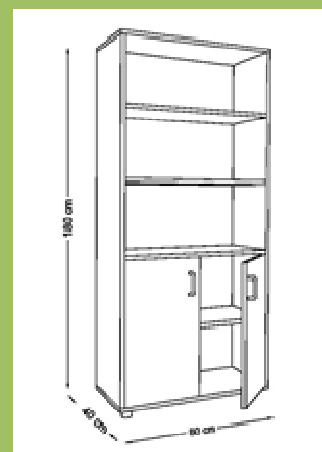
Colour of the structure

Beech (E18) and white

Colours of the shelves and doors

Cherry red (E10), Apple green (E13), lavender blue (E14), yellow (E17), beech (E18), orange (E19), dark blue (E20), dark green (E21), pink (E22) and white (E23).

Distributed by:

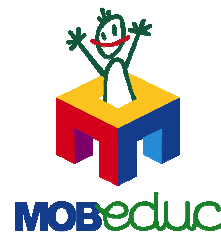


Measures:

Width 80 cm. – Height 180 cm. – Depth 40 cm.

Classroom furniture

High furniture with pigeonholes and shelves



www.mobeduc.com



Ref.: 600405



High furniture with pigeonholes and shelves. Manufactured from 19 mm beech melamine, except rear (10mm) and 2mm PVC edges, finished for both sides. We offer feet in two different heights: 4 cm and 8 cm. Height adjustable feet are available for uneven floors and surfaces and also feet can be removed from the furniture.

Removable furniture with rounded edges to prevent cuts or wounds. Our furniture has no sharp edges making it extra safe for children. Assembly through sleeves with zoom system, ensuring solid and rigid union. Adjustable shelves attached to the sides by special fixings capable of sustaining stress.

For complete safe, this furniture must be screwed to the wall.

MOBeduc complies with TECNALIA Certification (Safety & Quality standards) in the manufacture of nursery and primary furniture.

TECNALIA offers a global service to the furniture sector by testing and certifying the behaviour of finished furniture and of each of its components with the following methodology:

- Initial inspection of our system of production and control.
- Initial test about the type of product.
- Surveillance, monitoring and evaluation of the quality system.
- Test of raw materials using random samples.
- Test of finished product using random samples.



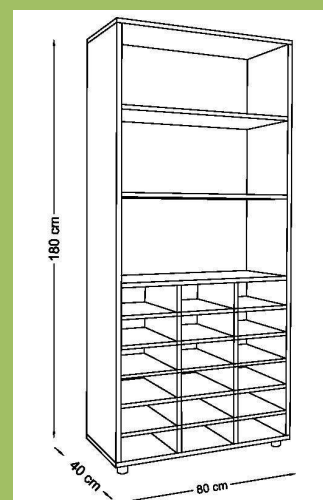
Colour of the structure

Beech (E18) and white

Colours of the shelves

Cherry red (E10), Apple green (E13), lavender blue (E14), yellow (E17), beech (E18), orange (E19), dark blue (E20), dark green (E21), pink (E22) and white (E23).

Distributed by:

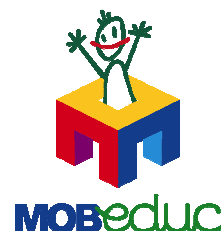


Measures:

Width 80 cm. – Height 180 cm. – Depth 40 cm.

Classroom furniture

Hig furntiture with pigeonholes and wardrobe



www.mobeduc.com



Ref.: 600406



High furniture with pigeonholes and wardrobe. Manufactured from 19 mm beech melamine, except rear (10mm), doors (16mm) and 2mm PVC edges, finished for both sides. We offer feet in two different heights: 4 cm and 8 cm high. Height adjustable feet are available for uneven floors and surfaces and also feet can be removed from the furniture.

Internal doors to prevent finger trapping for maximum safety and door handles are made in a flexible soft polymer to prevent children to be hurt when falling.

Removable furniture with rounded edges to prevent cuts or wounds. Our furniture has no sharp edges making it extra safe for children. Assembly through sleeves with zoom system, ensuring solid and rigid union.

Adjustable shelves attached to the sides by special fixings capable of sustaining stress.

For complete safe, this furniture must be screwed to the wall.

MOBeduc complies with TECNALIA Certification (Safety & Quality standards) in the manufacture of nursery and primary furniture.

TECNALIA offers a global service to the furniture sector by testing and certifying the behaviour of finished furniture and of each of its components with the following methodology:

- Initial inspection of our system of production and control.
- Initial test about the type of product.
- Surveillance, monitoring and evaluation of the quality system.
- Test of raw materials using random samples.
- Test of finished product using random samples.



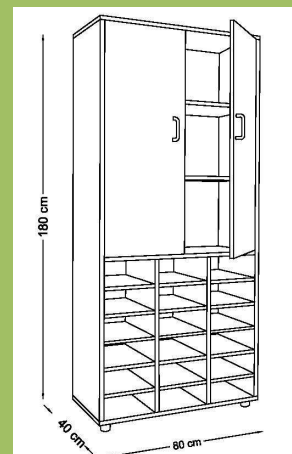
Colour of the structure

Beech (E18) and white (E23).

Colours of the shelves and doors

Cherry red (E10), Apple green (E13), lavender blue (E14), yellow (E17), beech (E18), orange (E19), dark blue (E20), dark green (E21), pink (E22) and white (E23).

Distributed by:

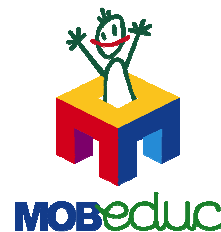


Measures:

Width 80 cm. – Height 180 cm. – Depth 40 cm.

Classroom furniture

Shelving corner storage - high



www.mobeduc.com



Ref.: 600411

High shelving corner furniture, 5 horizontal compartments. Manufactured from 19 mm beech melamine, except rear (10mm) and 2mm PVC edges, finished for both sides. We offer feet in two different heights: 4 cm and 8 cm high. Height adjustable feet are available for uneven floors and surfaces and also feet can be removed from the furniture.

Removable furniture with rounded edges to prevent cuts or wounds. Our furniture has no sharp edges making it extra safe for children

Assembly through sleeves with zoom system, ensuring solid and rigid union. Adjustable shelves attached to the sides by special fixings capable of sustaining stress.

MOBeduc complies with TECNALIA Certification (Safety & Quality standards) in the manufacture of nursery and primary furniture.

TECNALIA offers a global service to the furniture sector by testing and certifying the behaviour of finished furniture and of each of its components with the following methodology:

- Initial inspection of our system of production and control.
- Initial test about the type of product.
- Surveillance, monitoring and evaluation of the quality system.
- Test of raw materials using random samples
- Test of finished product using random samples.



Colour of structure

Beech (E18) and white (E23).

Colour of the shelves

Cherry red (E10), apple green (E13), lavender blue (E14), yellow (E17), beech (E18), orange (E19), dark blue (E20), dark green (E21), pink (E22) and white (E23).

Distributed by:



Measures

Width 70 cm. – Height 180 cm. – Depth 70 cm.

Teachers desks

2

Un gran diseño para los más pequeños



MOBeduc

TEACHERS DESKS

Teacher's desk with 3 drawers



www.mobeduc.com



Ref.: 600502

Teacher's desk with 3 drawers, manufactured from 19 mm beech melamine and 2mm PVC edges, finished for both sides. Drawers with shock absorber and self-closing. Maximum dynamic load: 50 kgs. Option of placing them on both sides of the table. Drawers handles are made in a flexible soft polymer. Optional: Adjustable Computer holder. Not included in price. Assembly through sleeves with zoom system, ensuring solid and rigid union.



Colour of the structure

Beech (E18)

Colours of the worktop

Pink (E22), Dark blue (E20), Dark green (E21), White (E23), Beech (E18), Cherry red (E10), Lavender blue (E14), Yellow (E17), Apple green (E13), Orange (E19)

Distributed by:



Measures

Length 150 cm. Height 75 cm. Depth 70 cm.

TEACHERS DESKS

Teacher's desk



www.mobeduc.com



Ref.: 600503

Teacher's desk, manufactured from 19 mm beech melamine and 2mm PVC edges, finished for both sides. Option of placing them on both sides of the table. Drawers handles are made in a flexible soft polymer. Optional: Adjustable Computer holder. Not included in price. Assembly through sleeves with zoom system, ensuring solid and rigid union.

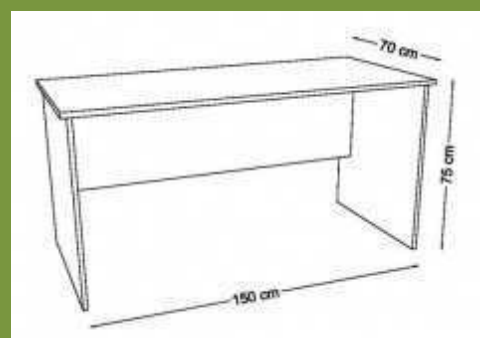


Colour of the structure

Beech (E18)

Colours of the worktop

Pink (E22), Dark blue (E20), Dark green (E21), White (E23), Beech (E18), Cherry red (E10), Lavender blue (E14), Yellow (E17), Apple green (E13), Orange (E19)



Measures

Length 150 cm. Height 75 cm. Depth 70 cm.

Distributed by:

TEACHERS DESKS

Wardrobe and shelving storage with 40 horizontal compartments (up)



www.mobeduc.com



Ref.: 600504

Organiser furniture: cupboard with 4 compartments in the bottom and 40 compartments in the upper part, manufactured from 19 mm beech melamine, except rear (10mm), doors (16mm) and 2mm PVC edges, finished for both sides. We offer feet in two different heights: 4 cm and 8 cm high. Height adjustable feet are available for uneven floors and surfaces and also feet can be removed from the furniture. Internal doors to prevent finger trapping for maximum safety and door handles are made in a flexible soft polymer to prevent children to be hurt when falling. Removable furniture with rounded edges to prevent cuts or wounds. Our furniture has no sharp edges making it extra safe for children. Assembly through sleeves with zoom system, ensuring solid and rigid union. Adjustable shelves attached to the sides by special fixings capable of sustaining stress. For complete safe, this furniture must be screwed to the wall. MOBeduc complies with TECNALIA Certification (Safety & Quality standards) in the manufacture of nursery and primary furniture. TECNALIA offers a global service to the furniture sector by testing and certifying the behaviour of finished furniture and of each of its components with the following methodology: - Initial inspection of our system of production and control. - Initial test about the type of product. - Surveillance, monitoring and evaluation of the quality system. - Test of raw materials using random samples. - Test of finished product using random samples.

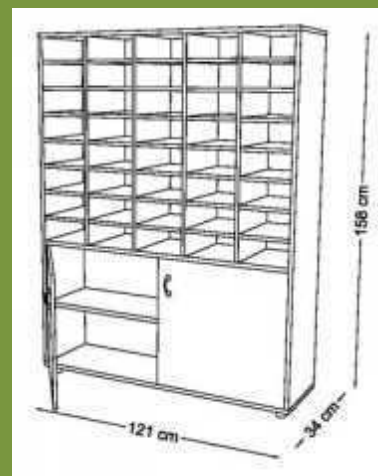


Colour of the structure

Beech (E18)

Colours of the doors

Pink (E22), Dark blue (E20), Dark green (E21), White (E23), Beech (E18), Cherry red (E10), Lavander blue (E14), Yellow (E17), Apple green (E13), Orange (E19)



Measures

Length 121 cm. Height 158 cm. Depth 34 cm.

Distributed by:

Furniture for babies (0-1 year)

3

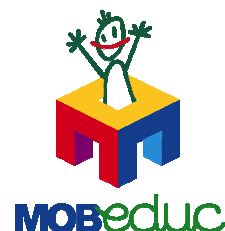
Un gran diseño para los más pequeños



MOBeduc

Furniture for babies (0-1 years)

Furniture for first steps



www.mobeduc.com



Ref.: 601001

Furniture designed to develop children motricity, manufactured from 19 mm beech melamine and 2mm PVC edges, finished for both sides. Height adjustable feet are available for uneven floors and surfaces and also feet can be removed from the furniture.

Upper part: a cube with safety mirror (3 mm)

On the bottom:solid pine (35 mm) bars to help the child to stand up , crawling tunnel and trays to storage different games. The bars can also be a handrail, giving stability to the child.

Assembly through sleeves with zoom system, ensuring solid and rigid union.

MOBeduc complies with TECNALIA Certification (Safety & Quality standards) in the manufacture of nursery and primary furniture.

TECNALIA offers a global service to the furniture sector by testing and certifying the behaviour of finished furniture and of each of its components with the following methodology:

- Initial inspection of our system of production and control.
- Initial test about the type of product.
- Surveillance, monitoring and evaluation of the quality system.
- Test of raw materials using random samples
- Test of finished product using random samples.

Objetive: To improve the child's motor skills, his /her autonomy, and to access and choose their own games.



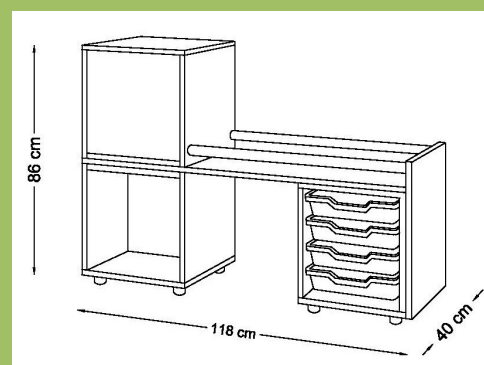
Colour of the structure

Beech (E18) and White (E23)

Colours of the worktop

Cherry red (E10), Apple green (E13), lavender blue (E14), yellow (E17), beech (E18), orange (E19), dark blue (E20), dark green (E21), pink (E22) and white (E23).

Distributed by:

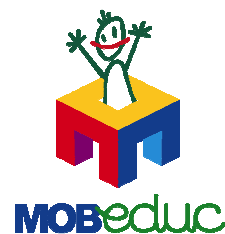


Measures

Width 118 cm. – Heigth 86 cm. – Depth 40 cm.

Furniture for babies (0-1 years)

Cube to play



www.mobeduc.com



Ref.: 601002

Cube furniture designed to develop children motricity, manufactured from 19 mm beech melamine and 2mm PVC edges and MDF 16 mm with rounded edges and painted with nontoxic varnish. It has 3 bars of solid pine (35 mm), painted with nontoxic varnish and safety mirror (3 mm), with adhesive plate to prevent the release in case of breakage and to prevent access on the sides.

Assembly through sleeves with zoom system, ensuring solid and rigid union.

MOBeduc complies with TECNALIA Certification (Safety & Quality standards) in the manufacture of nursery and primary furniture.

TECNALIA offers a global service to the furniture sector by testing and certifying the behaviour of finished furniture and of each of its components with the following methodology:

- Initial inspection of our system of production and control.
- Initial test about the type of product.
- Surveillance, monitoring and evaluation of the quality system.
- Test of raw materials using random samples
- Test of finished product using random samples.

Objetive: Encourage the complex mobility of children, being a single player or meeting with other children.



E10

E13

E14

E17

E18

E19

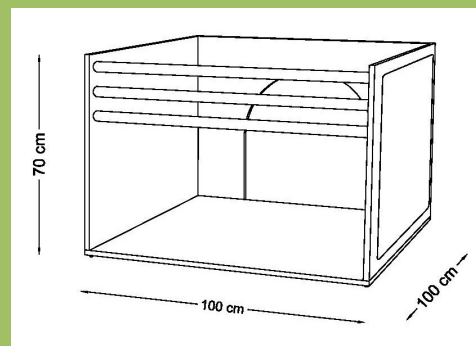
Colour of the structure

Beech (E18) and White (E23)

Colours of the worktop

Cherry red (E10), Apple green (E13), lavender blue (E14), yellow (E17), beech (E18), orange (E19), dark blue (E20), dark green (E21), pink (E22) and white (E23).

Distributed by:



Measures

Width 118 cm. – Height 86 cm. – Depth 40 cm.

Furniture for hygienic area

4

Un gran diseño para los más pequeños



MOBeduc

FURNITURE FOR HYGIENE

Furniture for changing nappies



www.mobeduc.com



Ref.: 600701

Furniture for changing nappies, manufactured from 19 mm beech melamine, except rear (10mm), doors (16mm) and 2mm PVC edges, finished for both sides. We offer feet in two different heights: 4 cm and 8 cm high. Height adjustable feet are available for uneven floors and surfaces and also feet can be removed from the furniture. Internal doors to prevent finger trapping for maximum safety and door handles are made in a flexible soft polymer to prevent children to be hurt when falling. Removable furniture with rounded edges to prevent cuts or wounds. Our furniture has no sharp edges making it extra safe for children. Assembly through sleeves with zoom system, ensuring solid and rigid union. Adjustable shelves attached to the sides by special fixings capable of sustaining stress. MOBeduc complies with TECNALIA Certification (Safety & Quality standards) in the manufacture of nursery and primary furniture. TECNALIA offers a global service to the furniture sector by testing and certifying the behaviour of finished furniture and of each of its components with the following methodology: - Initial inspection of our system of production and control. - Initial test about the type of product. - Surveillance, monitoring and evaluation of the quality system. - Test of raw materials using random samples. - Test of finished product using random samples.



Colour of the structure

Beech (E18)

Colours of the shelves and doors

Pink (E22), Dark blue (E20), Dark green (E21), White (E23), Beech (E18), Cherry red (E10), Lavander blue (E14), Yellow (E17), Apple green (E13), Orange (E19)

Distributed by:



Measures

Length 90 cm. Height 96 cm. Depth 70 cm.

FURNITURE FOR HYGIENE

Furniture for changing nappies with steps (2 doors)



www.mobeduc.com



Ref.: 600708

Furniture for changing nappies 2 doors with revolving staircase (inside the door) which turns easily when you pull it. The rotation system allows doing everything without effort. Manufactured from 19 mm beech melamine except rear (10mm), doors (16mm) and 2mm PVC edges, finished for both sides. Height adjustable feet are available for uneven floors and surfaces. Internal doors to prevent finger trapping for maximum safety and door handles are made in a flexible soft polymer to prevent children to be hurt when falling. Removable furniture with rounded edges to prevent cuts or wounds. Our furniture has no sharp edges making it extra safe for children. Option to incorporate the stairs into the door right or left. Supplied with lock on the door where you enter the staircase. Cushion is not included. Assembly through sleeves with zoom system, ensuring solid and rigid union. Adjustable shelves attached to the sides by special fixings capable of sustaining stress. MOBeduc complies with TECNALIA Certification (Safety & Quality standards) in the manufacture of nursery and primary furniture. TECNALIA offers a global service to the furniture sector by testing and certifying the behaviour of finished furniture and of each of its components with the following methodology: - Initial inspection of our system of production and control. - Initial test about the type of product. - Surveillance, monitoring and evaluation of the quality system. - Test of raw materials using random samples - Test of finished product using random samples.



Colour of the structure

Beech (E18)

Colours of the doors

Pink (E22), Dark blue (E20), Dark green (E21), White (E23), Beech (E18), Cherry red (E10), Lavander blue (E14), Yellow (E17), Apple green (E13), Orange (E19)

Distributed by:



Measures

Length 90 cm. Height 91 cm. Depth 70 cm.

FURNITURE FOR HYGIENE

Furniture for changing nappies with steps (3 doors)



www.mobeduc.com



Ref.: 600709

Furniture for changing nappies with steps (3 doors) and 2 drawers, one shelf inside one of the doors, 8 compartments in the other one and steps (inside the main door) which turns easily when you pull it. The rotation system allows doing everything without effort. Manufactured from 19 mm beech melamine, except rear (10mm), doors (16mm) and 2mm PVC edges, finished for both sides. Height adjustable feet are available for uneven floors and surfaces. Internal doors to prevent finger trapping for maximum safety and door handles are made in a flexible soft polymer to prevent children to be hurt when falling. Removable furniture with rounded edges to prevent cuts or wounds. Our furniture has no sharp edges making it extra safe for children. Cushion is not included. Assembly through sleeves with zoom system, ensuring solid and rigid union. Adjustable shelves attached to the sides by special fixings capable of sustaining stress. MOBeduc complies with TECNALIA Certification (Safety & Quality standards) in the manufacture of nursery and primary furniture. TECNALIA offers a global service to the furniture sector by testing and certifying the behaviour of finished furniture and of each of its components with the following methodology: - Initial inspection of our system of production and control. - Initial test about the type of product. - Surveillance, monitoring and evaluation of the quality system. - Test of raw materials using random samples - Test of finished product using random samples.



Colour of the structure

Beech (E18)

Colours of the doors and drawer fronts

Pink (E22), Dark blue (E20), Dark green (E21), White (E23), Beech (E18), Cherry red (E10), Lavander blue (E14), Yellow (E17), Apple green (E13), Orange (E19)

Distributed by:

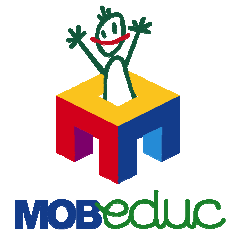


Measures

Length 120 cm. Height 91 cm. Depth 70 cm.

Furniture for hygiene

Changing table with steps and drawers



www.mobeduc.com



Ref.: 600716

Furniture for changing nappies with 4 drawers and steps (inside the main door) which turns easily when you pull it. The rotation system allows doing everything without effort. Manufactured from 19 mm beech melamine, except rear (10mm), doors (16mm) and 2mm PVC edges, finished for both sides. Height adjustable feet are available for uneven floors and surfaces.

Internal doors to prevent finger trapping for maximum safety and door handles are made in a flexible soft polymer to prevent children to be hurt when falling. Removable furniture with rounded edges to prevent cuts or wounds. Our furniture has no sharp edges making it extra safe for children.

Cushion is not included.

Assembly through sleeves with zoom system, ensuring solid and rigid union. Adjustable shelves attached to the sides by special fixings capable of sustaining stress.

MOBeduc complies with TECNALIA Certification (Safety & Quality standards) in the manufacture of nursery and primary furniture.

TECNALIA offers a global service to the furniture sector by testing and certifying the behaviour of finished furniture and of each of its components with the following methodology:

- Initial inspection of our system of production and control.
- Initial test about the type of product.
- Surveillance, monitoring and evaluation of the quality system.
- Test of raw materials using random samples
- Test of finished product using random samples.



Colour of structure

Beech (E18) and white (E23).

Colour of the doors and drawers

Cherry red (E10), apple green (E13), lavender blue (E14), yellow (E17), beech (E18), orange (E19), dark blue (E20), dark green (E21), pink (E22) and white (E23).

Distributed by:



Measures

Width 90 cm. – Height 105 cm. – Depth 70 cm.

FURNITURE FOR HYGIENE

Steps for furniture for changing nappies



www.mobeduc.com



Ref.: 600710

Wooden stairs (4 steps). Manufactured from 19 mm beech melamine and 2 mm PVC edges. DM sides of melamine thick with rounded edges and painted with nontoxic paints. This steps helps children to go up to the furniture. Assembly through sleeves with zoon system, ensuring solid and rigid union. MOBeduc complies with TECNALIA Certification (Safety & Quality standards) in the manufacture of nursery and primary furniture. TECNALIA offers a global service to the furniture sector by testing and certifying the behaviour of finished furniture and of each of its components with the following methodology: - Initial inspection of our system of production and control. - Initial test about the type of product. - Surveillance, monitoring and evaluation of the quality system. - Test of raw materials using random samples - Test of finished product using random samples.



Colours

Beech (E18)

Colours of the end panels

Beech (E18), Cherry red (E10), Lavander blue (E14), Yellow (E17), Apple green (E13), Orange (E19)



Measures

Length 40 cm. Height 86 cm. Depth 56 cm.

Distributed by:

FURNITURE FOR HYGIENE

Pigeonholes 4 pieces 80-22



www.mobeduc.com



Colour of the structure

Beech (E18)

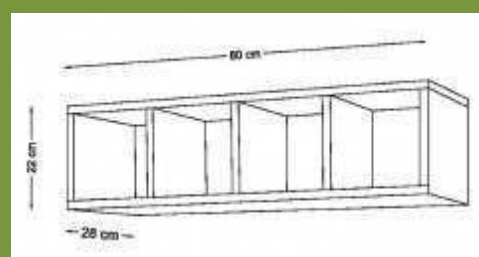
Colours of dividers

Pink (E22), Dark blue (E20), Dark green (E21), White (E23), Beech (E18), Cherry red (E10), Lavander blue (E14), Yellow (E17), Apple green (E13), Orange (E19)

Distributed by:

Ref.: 600702

Pigeonholes 4 pieces Manufactured from 19 mm beech melamine, except rear (10mm); separator pigeonholes 19 mm and 2mm PVC edges. Removable furniture with rounded edges to prevent cuts or wounds. Assembly through sleeves with zoom system, ensuring solid and rigid union. Adjustable shelves attached to the sides by special fixings capable of sustaining stress. MOBeduc complies with TECNALIA Certification (Safety & Quality standards) in the manufacture of nursery and primary furniture. TECNALIA offers a global service to the furniture sector by testing and certifying the behaviour of finished furniture and of each of its components with the following methodology: - Initial inspection of our system of production and control. - Initial test about the type of product. - Surveillance, monitoring and evaluation of the quality system. - Test of raw materials using random samples - Test of finished product using random samples.



Measures

Length 80 cm. Height 22 cm. Depth 28 cm.

FURNITURE FOR HYGIENE

Pigeonholes 4 pieces 80-30



www.mobeduc.com



Ref.: 600704

Pigeonholes 4 pieces Manufactured from 19 mm beech melamine, except rear (10mm); separator pigeonholes 19 mm and 2mm PVC edges. Removable furniture with rounded edges to prevent cuts or wounds. Assembly through sleeves with zoom system, ensuring solid and rigid union. Adjustable shelves attached to the sides by special fixings capable of sustaining stress. MOBeduc complies with TECNALIA Certification (Safety & Quality standards) in the manufacture of nursery and primary furniture. TECNALIA offers a global service to the furniture sector by testing and certifying the behaviour of finished furniture and of each of its components with the following methodology: - Initial inspection of our system of production and control. - Initial test about the type of product. - Surveillance, monitoring and evaluation of the quality system. - Test of raw materials using random samples - Test of finished product using random samples.

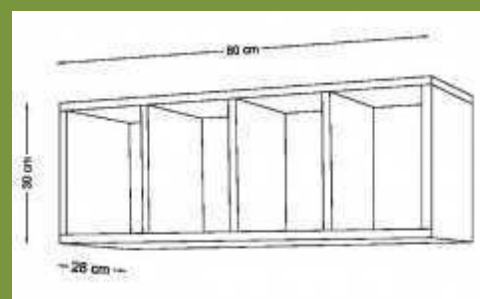


Colour of the structure

Beech (E18)

Colours of dividers

Pink (E22), Dark blue (E20), Dark green (E21), White (E23), Beech (E18), Cherry red (E10), Lavender blue (E14), Yellow (E17), Apple green (E13), Orange (E19)



Measures

Length 80 cm. Height 30 cm. Depth 28 cm.

Distributed by:

FURNITURE FOR HYGIENE

Pigeonholes 4 pieces 120-30



www.mobeduc.com



Ref.: 600705

Pigeonholes 4 pieces Manufactured from 19 mm beech melamine, except rear (10mm); separator pigeonholes 19 mm and 2mm PVC edges. Removable furniture with rounded edges to prevent cuts or wounds. Assembly through sleeves with zoom system, ensuring solid and rigid union. Adjustable shelves attached to the sides by special fixings capable of sustaining stress. MOBeduc complies with TECNALIA Certification (Safety & Quality standards) in the manufacture of nursery and primary furniture. TECNALIA offers a global service to the furniture sector by testing and certifying the behaviour of finished furniture and of each of its components with the following methodology: - Initial inspection of our system of production and control. - Initial test about the type of product. - Surveillance, monitoring and evaluation of the quality system. - Test of raw materials using random samples - Test of finished product using random samples.

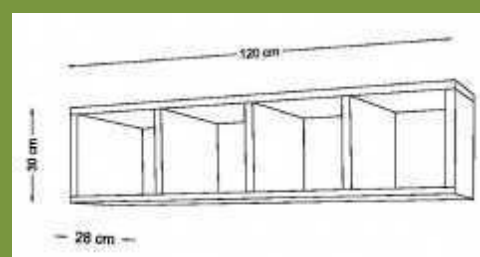


Colour of the structure

Beech (E18)

Colours of dividers

Pink (E22), Dark blue (E20), Dark green (E21), White (E23), Beech (E18), Cherry red (E10), Lavander blue (E14), Yellow (E17), Apple green (E13), Orange (E19)



Measures

Length 120 cm. Height 30 cm. Depth 28 cm.

Distributed by:

FURNITURE FOR HYGIENE

Pigeonholes 8 pieces 80-42



www.mobeduc.com



Ref.: 600703

Pigeonholes 8 pieces Manufactured from 19 mm beech melamine, except rear (10mm); separator pigeonholes 16 mm and 2mm PVC edges. Removable furniture with rounded edges to prevent cuts or wounds. Assembly through sleeves with zoom system, ensuring solid and rigid union. Adjustable shelves attached to the sides by special fixings capable of sustaining stress. MOBeduc complies with TECNALIA Certification (Safety & Quality standards) in the manufacture of nursery and primary furniture. TECNALIA offers a global service to the furniture sector by testing and certifying the behaviour of finished furniture and of each of its components with the following methodology: - Initial inspection of our system of production and control. - Initial test about the type of product. - Surveillance, monitoring and evaluation of the quality system. - Test of raw materials using random samples - Test of finished product using random samples.



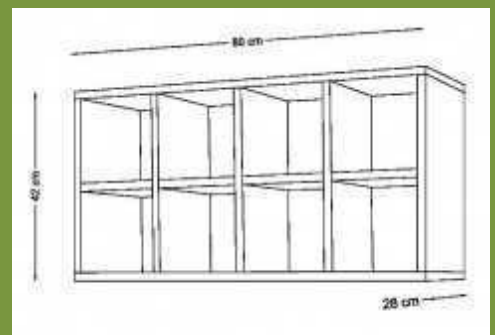
Colour of the structure

Beech (E18)

Colours of dividers

Pink (E22), Dark blue (E20), Dark green (E21), White (E23), Beech (E18), Cherry red (E10), Lavander blue (E14), Yellow (E17), Apple green (E13), Orange (E19)

Distributed by:



Measures

Length 80 cm. Height 42 cm. Depth 28 cm.

FURNITURE FOR HYGIENE

Pigeonholes 10 pieces 100-42



www.mobeduc.com



Ref.: 600706

Pigeonholes 10 pieces Manufactured from 19 mm beech melamine, except rear (10mm); separator pigeonholes 16 mm and 2mm PVC edges. Removable furniture with rounded edges to prevent cuts or wounds. Assembly through sleeves with zoom system, ensuring solid and rigid union. Adjustable shelves attached to the sides by special fixings capable of sustaining stress. MOBeduc complies with TECNALIA Certification (Safety & Quality standards) in the manufacture of nursery and primary furniture. TECNALIA offers a global service to the furniture sector by testing and certifying the behaviour of finished furniture and of each of its components with the following methodology: - Initial inspection of our system of production and control. - Initial test about the type of product. - Surveillance, monitoring and evaluation of the quality system. - Test of raw materials using random samples - Test of finished product using random samples.

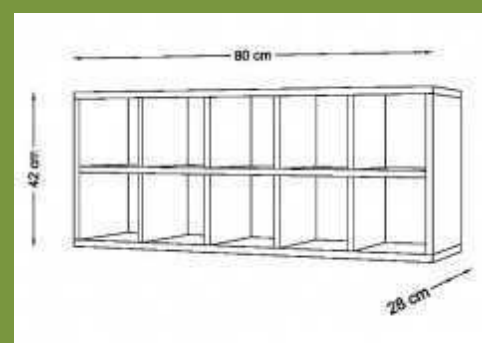


Colour of the structure

Beech (E18)

Colours of dividers

Pink (E22), Dark blue (E20), Dark green (E21), White (E23), Beech (E18), Cherry red (E10), Lavander blue (E14), Yellow (E17), Apple green (E13), Orange (E19)



Measures

Length 100 cm. Height 42 cm. Depth 28 cm.

Distributed by:

FURNITURE FOR HYGIENE

Pigeonholes 12 pieces 80-62



www.mobeduc.com



Ref.: 600707

Pigeonholes 12 pieces Manufactured from 19 mm beech melamine, except rear (10mm); separator pigeonholes 16 mm and 2mm PVC edges. Removable furniture with rounded edges to prevent cuts or wounds. Assembly through sleeves with zoom system, ensuring solid and rigid union. Adjustable shelves attached to the sides by special fixings capable of sustaining stress. MOBeduc complies with TECNALIA Certification (Safety & Quality standards) in the manufacture of nursery and primary furniture. TECNALIA offers a global service to the furniture sector by testing and certifying the behaviour of finished furniture and of each of its components with the following methodology: - Initial inspection of our system of production and control. - Initial test about the type of product. - Surveillance, monitoring and evaluation of the quality system. - Test of raw materials using random samples - Test of finished product using random samples.



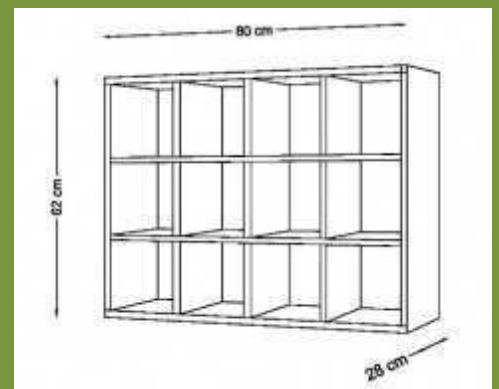
Colour of the structure

Beech (E18)

Colours of dividers

Pink (E22), Dark blue (E20), Dark green (E21), White (E23), Beech (E18), Cherry red (E10), Lavander blue (E14), Yellow (E17), Apple green (E13), Orange (E19)

Distributed by:



Measures

Length 80 cm. Height 62 cm. Depth 28 cm.

FURNITURE FOR HYGIENE

Pigeonholes 8 pieces with doors



www.mobeduc.com



Ref.: 600711

Furniture with 8 boxes / compartments on two lines and 4 doors. Manufactured from 19 mm beech melamine, except rear (10 mm), doors (16 mm) and 2 mm PVC edges, finished for both sides. Internal doors to prevent finger trapping for maximum safety and door handles are made in a flexible soft polymer to prevent children to be hurt when falling. Assembly through sleeves with zoon system, ensuring solid and rigid union. Adjustable shelves attached to the sides by special fixing capable of sustaining stress. MOBeduc complies with TECNALIA Certification (Safety & Quality standards) in the manufacture of nursery and primary furniture. TECNALIA offers a global service to the furniture sector by testing and certifying the behaviour of finished furniture and of each of its components with the following methodology: - Initial inspection of our system of production and control. - Initial test about the type of product. - Surveillance, monitoring and evaluation of the quality system. - Test of raw materials using random samples. - Test of finished product using random samples.

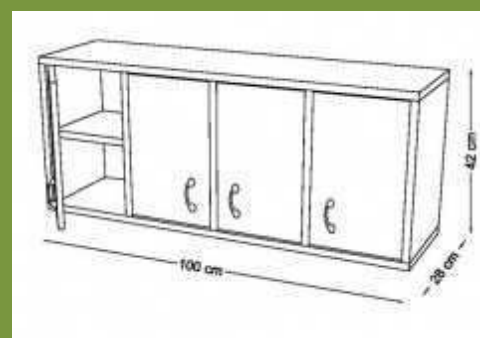


Colour of the structure

Beech (E18)

Colours of the doors

Pink (E22), Dark blue (E20), Dark green (E21), White (E23), Beech (E18), Cherry red (E10), Lavender blue (E14), Yellow (E17), Apple green (E13), Orange (E19)



Measures

Length 100 cm. Height 42 cm. Depth 28 cm.

Distributed by:

FURNITURE FOR HYGIENE

Pigeonholes 10 pieces with doors



www.mobeduc.com



Ref.: 600712

Furniture with 10 boxes / compartments on two lines and 5 doors. Manufactured from 19 mm beech melamine, except rear (10 mm), doors (16 mm) and 2 mm PVC edges, finished for both sides. Internal doors to prevent finger trapping for maximum safety and door handles are made in a flexible soft polymer to prevent children to be hurt when falling. Assembly through sleeves with zoon system, ensuring solid and rigid union. Adjustable shelves attached to the sides by special fixing capable of sustaining stress. MOBeduc complies with TECNALIA Certification (Safety & Quality standards) in the manufacture of nursery and primary furniture. TECNALIA offers a global service to the furniture sector by testing and certifying the behaviour of finished furniture and of each of its components with the following methodology: - Initial inspection of our system of production and control. - Initial test about the type of product. - Surveillance, monitoring and evaluation of the quality system. - Test of raw materials using random samples. - Test of finished product using random samples.



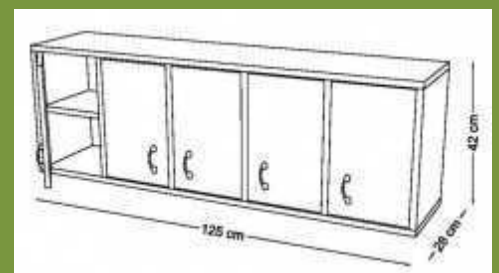
Colour of the structure

Beech (E18)

Colours of the doors

Pink (E22), Dark blue (E20), Dark green (E21), White (E23), Beech (E18), Cherry red (E10), Lavender blue (E14), Yellow (E17), Apple green (E13), Orange (E19)

Distributed by:



Measures

Length 125 cm. Height 42 cm. Depth 28 cm.

FURNITURE FOR HYGIENE

Pigeonholes 12 pieces with doors



www.mobeduc.com



Ref.: 600713

Furniture with 12 boxes / compartments on three lines and 4 doors. Manufactured from 19 mm beech melamine, except rear (10 mm), doors (16 mm) and 2 mm PVC edges, finished for both sides. Internal doors to prevent finger trapping for maximum safety and door handles are made in a flexible soft polymer to prevent children to be hurt when falling. Assembly through sleeves with zoon system, ensuring solid and rigid union. Adjustable shelves attached to the sides by special fixing capable of sustaining stress. MOBeduc complies with TECNALIA Certification (Safety & Quality standards) in the manufacture of nursery and primary furniture. TECNALIA offers a global service to the furniture sector by testing and certifying the behaviour of finished furniture and of each of its components with the following methodology: - Initial inspection of our system of production and control. - Initial test about the type of product. - Surveillance, monitoring and evaluation of the quality system. - Test of raw materials using random samples. - Test of finished product using random samples.



Colour of the structure

Beech (E18)

Colours of the doors

Pink (E22), Dark blue (E20), Dark green (E21), White (E23), Beech (E18), Cherry red (E10), Lavender blue (E14), Yellow (E17), Apple green (E13), Orange (E19)

Distributed by:



Measures

Length 100 cm. Height 62 cm. Depth 28 cm.

FURNITURE FOR HYGIENE

Sloping mirror



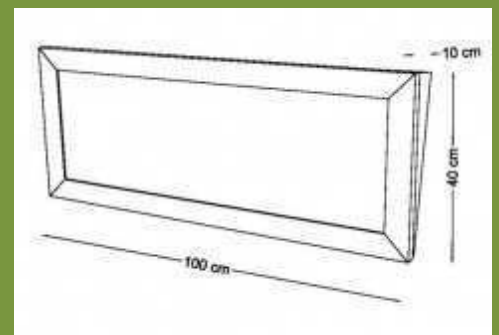
www.mobeduc.com



Ref.: 600714

Secure sloping mirror for easy viewing of children. With back, without detachments in case of break. Framework of solid beech wood. Robust attachment to the wall by drilling and screwing.

Distributed by:



Measures

Length 100 cm. Height 40 cm. Depth 10 cm.

Furniture for other purposes

5

Un gran diseño para los más pequeños



MOBeduc

FURNITURES FOR OTHERS PURPOSES

Clothes Tidy Rail – 2 compartments (down)



www.mobeduc.com



Ref.: 600617

Piece of furniture to hang clothes and with shelves on the low part, manufactured from 19 mm beech melamine, except rear (10mm). With 2mm PVC edges, finished for both sides. We offer feet in two different heights: 4 cm and 8 cm high. Height adjustable feet are available for uneven floors and surfaces and also feet can be removed from the furniture. Removable furniture with rounded edges to prevent cuts or wounds. Available with castors. Assembly through sleeves with zoom system, ensuring solid and rigid union. Adjustable shelves attached to the sides by special fixings capable of sustaining stress. MOBeduc complies with TECNALIA Certification (Safety & Quality standards) in the manufacture of nursery and primary furniture. TECNALIA offers a global service to the furniture sector by testing and certifying the behaviour of finished furniture and of each of its components with the following methodology: - Initial inspection of our system of production and control. - Initial test about the type of product. - Surveillance, monitoring and evaluation of the quality system. - Test of raw materials using random samples - Test of finished product using random samples.



Colour of the structure

Beech (E18)

Colours of the shelves

Pink (E22), Dark blue (E20), Dark green (E21), White (E23), Beech (E18), Cherry red (E10), Lavander blue (E14), Yellow (E17), Apple green (E13), Orange (E19)

Distributed by:



Measures

Length 90 cm. Height 147 cm. Depth 40 cm.

FURNITURES FOR OTHERS PURPOSES

Coat rack - 4 boxes & 4 hooks

80-22



www.mobeduc.com



Ref.: 600604

Coat rack - 4 boxes & 4 hooks, manufactured from 19 mm beech melamine, except rear (10 mm), and 2 mm PVC edges, finished for both sides. There are 4 swivel hooks made of polypropylene with rounded corners to hang the clothes of the child. Removable furniture with rounded edges to prevent cuts or wounds. Our furniture has no sharp edges making it extra safe for children. Assembly through sleeves with zoon system, ensuring solid and rigid union. MOBeduc complies with TECNALIA Certification (Safety & Quality standards) in the manufacture of nursery and primary furniture. TECNALIA offers a global service to the furniture sector by testing and certifying the behaviour of finished furniture and of each of its components with the following methodology: - Initial inspection of our system of production and control. - Initial test about the type of product. - Surveillance, monitoring and evaluation of the quality system. - Test of raw materials using random samples. - Test of finished product using random samples.



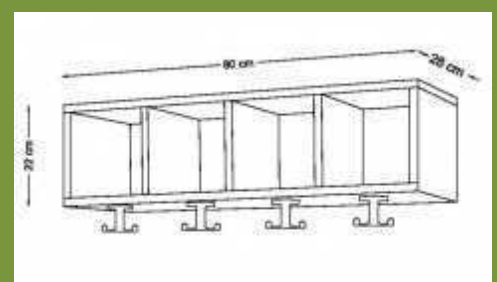
Colour of the structure

Beech (E18)

Colours of dividers

Pink (E22), Dark blue (E20), Dark green (E21), White (E23), Beech (E18), Cherry red (E10), Lavander blue (E14), Yellow (E17), Apple green (E13), Orange (E19)

Distributed by:



Measures

Length 80 cm. Height 22 cm. Depth 28 cm.

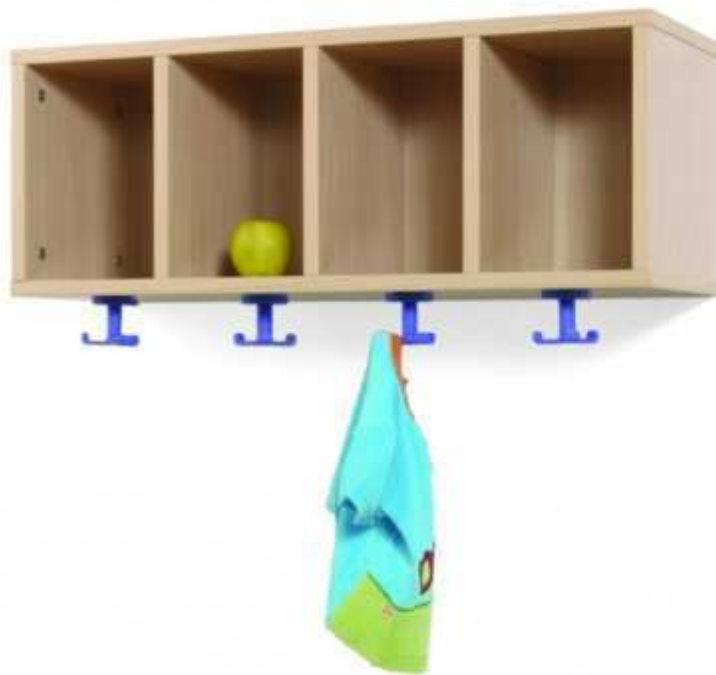
FURNITURES FOR OTHERS PURPOSES

Coat rack - 4 boxes & 4 hooks

80-30



www.mobeduc.com



Colour of the structure

Beech (E18)

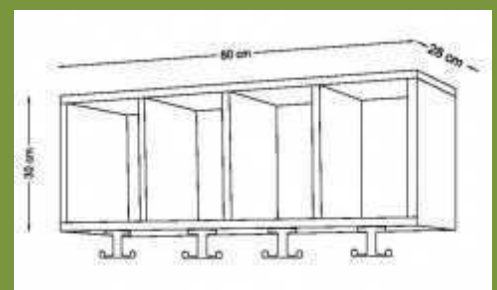
Colours of dividers

Pink (E22), Dark blue (E20), Dark green (E21), White (E23), Beech (E18), Cherry red (E10), Lavander blue (E14), Yellow (E17), Apple green (E13), Orange (E19)

Distributed by:

Ref.: 600605

Coat rack - 4 boxes & 4 hooks, manufactured from 19 mm beech melamine, except rear (10 mm), and 2 mm PVC edges, finished for both sides. There are 4 swivel hooks made of polypropylene with rounded corners to hang the clothes of the child. Removable furniture with rounded edges to prevent cuts or wounds. Our furniture has no sharp edges making it extra safe for children. Assembly through sleeves with zoon system, ensuring solid and rigid union. MOBeduc complies with TECNALIA Certification (Safety & Quality standards) in the manufacture of nursery and primary furniture. TECNALIA offers a global service to the furniture sector by testing and certifying the behaviour of finished furniture and of each of its components with the following methodology: - Initial inspection of our system of production and control. - Initial test about the type of product. - Surveillance, monitoring and evaluation of the quality system. - Test of raw materials using random samples. - Test of finished product using random samples.



Measures

Length 80 cm. Height 30 cm. Depth 28 cm.

FURNITURES FOR OTHERS PURPOSES

Coat rack - 4 boxes & 4 hooks

120-30



www.mobeduc.com



Ref.: 600606

Coat rack - 4 boxes & 4 hooks, manufactured from 19 mm beech melamine, except rear (10 mm), and 2 mm PVC edges, finished for both sides. There are 4 swivel hooks made of polypropylene with rounded corners to hang the clothes of the child. Removable furniture with rounded edges to prevent cuts or wounds. Our furniture has no sharp edges making it extra safe for children. Assembly through sleeves with zoon system, ensuring solid and rigid union. MOBeduc complies with TECNALIA Certification (Safety & Quality standards) in the manufacture of nursery and primary furniture. TECNALIA offers a global service to the furniture sector by testing and certifying the behaviour of finished furniture and of each of its components with the following methodology: - Initial inspection of our system of production and control. - Initial test about the type of product. - Surveillance, monitoring and evaluation of the quality system. - Test of raw materials using random samples. - Test of finished product using random samples.



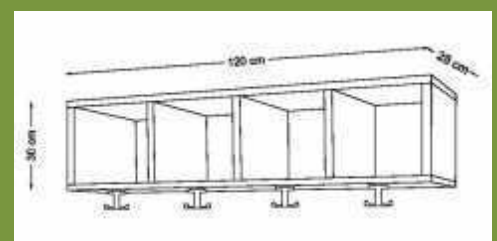
Colour of the structure

Beech (E18)

Colours of dividers

Pink (E22), Dark blue (E20), Dark green (E21), White (E23), Beech (E18), Cherry red (E10), Lavander blue (E14), Yellow (E17), Apple green (E13), Orange (E19)

Distributed by:



Measures

Length 120 cm. Height 30 cm. Depth 28 cm.

FURNITURES FOR OTHERS PURPOSES

Coat rack - 3 compartments



www.mobeduc.com



Colour of the structure

Beech (E18)

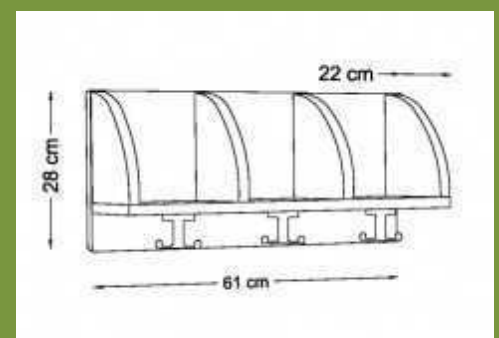
Colours of dividers

Pink (E22), Dark blue (E20), Dark green (E21), White (E23), Beech (E18), Cherry red (E10), Lavender blue (E14), Yellow (E17), Apple green (E13), Orange (E19)

Distributed by:

Ref.: 600618

Furniture with 3 compartments, manufactured from 19 mm beech melamine and 2 mm PVC edges, finished for both sides. There are 3 swivel hooks made of polypropylene with rounded corners to hand the clothes of the child. Removable furniture with rounded edges to prevent cuts or wounds. Our furniture has no sharp edges making it extra safe for children. Assembly through sleeves with zoon system, ensuring solid and rigid union. MOBeduc complies with TECNALIA Certification (Safety & Quality standards) in the manufacture of nursery and primary furniture. TECNALIA offers a global service to the furniture sector by testing and certifying the behaviour of finished furniture and of each of its components with the following methodology: - Initial inspection of our system of production and control. - Initial test about the type of product. - Surveillance, monitoring and evaluation of the quality system. - Test of raw materials using random samples. - Test of finished product using random samples.



Measures

Length 60 cm. Height 28 cm. Depth 22 cm.

FURNITURES FOR OTHERS PURPOSES

Coat rack - 4 compartments



www.mobeduc.com



Ref.: 600619

Furniture with 4 compartments, manufactured from 19 mm beech melamine and 2 mm PVC edges, finished for both sides. There are 4 swivel hooks made of polypropylene with rounded corners to hand the clothes of the child. Removable furniture with rounded edges to prevent cuts or wounds. Our furniture has no sharp edges making it extra safe for children. Assembly through sleeves with zoon system, ensuring solid and rigid union. MOBeduc complies with TECNALIA Certification (Safety & Quality standards) in the manufacture of nursery and primary furniture. TECNALIA offers a global service to the furniture sector by testing and certifying the behaviour of finished furniture and of each of its components with the following methodology: - Initial inspection of our system of production and control. - Initial test about the type of product. - Surveillance, monitoring and evaluation of the quality system. - Test of raw materials using random samples. - Test of finished product using random samples.



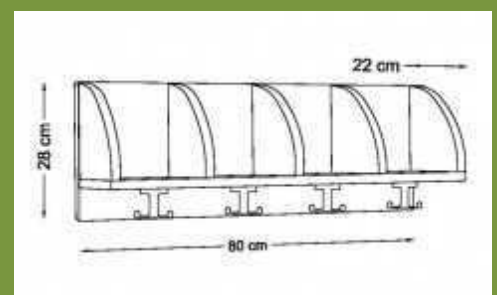
Colour of the structure

Beech (E18)

Colours of dividers

Pink (E22), Dark blue (E20), Dark green (E21), White (E23), Beech (E18), Cherry red (E10), Lavender blue (E14), Yellow (E17), Apple green (E13), Orange (E19)

Distributed by:



Measures

Length 80 cm. Height 28 cm. Depth 22 cm.

FURNITURES FOR OTHERS PURPOSES

Coat rack - 6 compartments



www.mobeduc.com



Colour of the structure

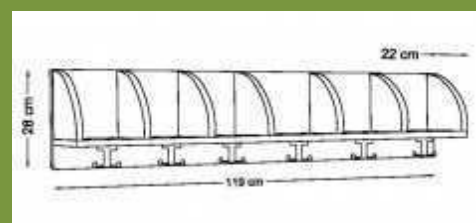
Beech (E18)

Colours of dividers

Pink (E22), Dark blue (E20), Dark green (E21), White (E23), Beech (E18), Cherry red (E10), Lavander blue (E14), Yellow (E17), Apple green (E13), Orange (E19)

Ref.: 600620

Furniture with 6 compartments, manufactured from 19 mm beech melamine and 2 mm PVC edges, finished for both sides. There are 6 swivel hooks made of polypropylene with rounded corners to hand the clothes of the child. Removable furniture with rounded edges to prevent cuts or wounds. Our furniture has no sharp edges making it extra safe for children. Assembly through sleeves with zoon system, ensuring solid and rigid union. MOBeduc complies with TECNALIA Certification (Safety & Quality standards) in the manufacture of nursery and primary furniture. TECNALIA offers a global service to the furniture sector by testing and certifying the behaviour of finished furniture and of each of its components with the following methodology: - Initial inspection of our system of production and control. - Initial test about the type of product. - Surveillance, monitoring and evaluation of the quality system. - Test of raw materials using random samples. - Test of finished product using random samples.



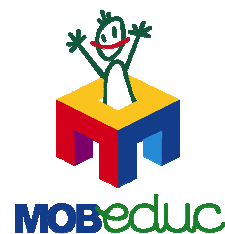
Measures

Length 119 cm. Height 28 cm. Depth 22cm.

Distributed by:

Furniture for other puposes

Coat rack - 3 compartments (crescent-shaped sides)



www.mobeduc.com



Ref.: 600618A



Furniture with 3 compartments with crescent-shaped sides, manufactured from 19 mm beech melamine and 2 mm PVC edges, finished for both sides. There are 3 swivel hooks made of polypropylene with rounded corners to hand the clothes of the child. Removable furniture with rounded edges to prevent cuts or wounds. Our furniture has no sharp edges making it extra safe for children. Assembly through sleeves with zoon system, ensuring solid and rigid union.

MOBeduc complies with TECNALIA Certification (Safety & Quality standards) in the manufacture of nursery and primary furniture.

TECNALIA offers a global service to the furniture sector by testing and certifying the behaviour of finished furniture and of each of its components with the following methodology:

- Initial inspection of our system of production and control.
- Initial test about the type of product.
- Surveillance, monitoring and evaluation of the quality system.
- Test of raw materials using random samples.
- Test of finished product using random samples.



Colour of structure

Haya (E18) y blanco (E23).

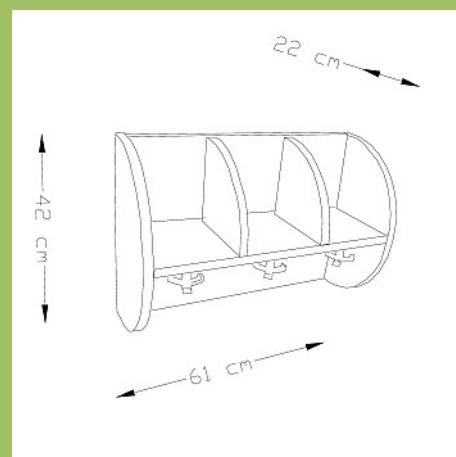
Colour of the dividers

Cherry red (E10), apple green (E13), lavander blue (E14), yellow (E17), beech (E18), orange (E19), dark blue (E20), dark Green (E21), pink (E22), White (E23).

Colous hooks



Distributed by:

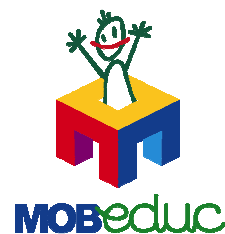


Measures

Width 61 cm. – Heigth 42 cm. – Depth 22 cm.

Furniture for other puposes

Coat rack - 4 compartments (crescent-shaped sides)



www.mobeduc.com



Ref.: 600619A



Furniture with 3 compartments with crescent-shaped sides, manufactured from 19 mm beech melamine and 2 mm PVC edges, finished for both sides. There are 3 swivel hooks made of polypropylene with rounded corners to hand the clothes of the child. Removable furniture with rounded edges to prevent cuts or wounds. Our furniture has no sharp edges making it extra safe for children. Assembly through sleeves with zoon system, ensuring solid and rigid union.

MOBeduc complies with TECNALIA Certification (Safety & Quality standards) in the manufacture of nursery and primary furniture.

TECNALIA offers a global service to the furniture sector by testing and certifying the behaviour of finished furniture and of each of its components with the following methodology:

- Initial inspection of our system of production and control.
- Initial test about the type of product.
- Surveillance, monitoring and evaluation of the quality system.
- Test of raw materials using random samples.
- Test of finished product using random samples.



Colour of structure

Haya (E18) y blanco (E23).

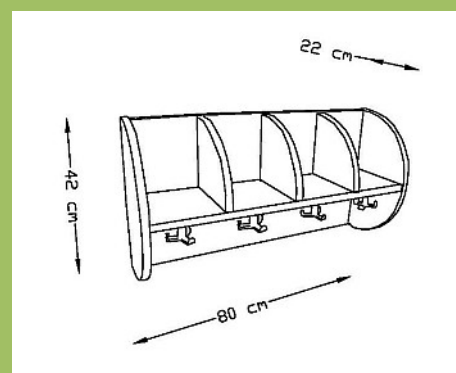
Colour of the dividers

Cherry red (E10), apple green (E13), lavender blue (E14), yellow (E17), beech (E18), orange (E19), dark blue (E20), dark Green (E21), pink (E22), White (E23).

Color perchas



Distributed by:

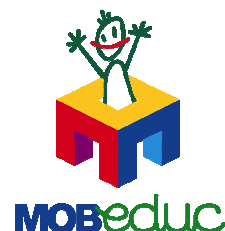


Measures

Width 80 cm. – Heigth 42 cm. – Depth 22 cm.

Furniture for other puposes

Coat rack - 6 compartments (crescent-shaped sides)



www.mobeduc.com



Ref.: 600620A

Furniture with 6 compartments with crescent-shaped sides, manufactured from 19 mm beech melamine and 2 mm PVC edges, finished for both sides. There are 3 swivel hooks made of polypropylene with rounded corners to hand the clothes of the child. Removable furniture with rounded edges to prevent cuts or wounds. Our furniture has no sharp edges making it extra safe for children. Assembly through sleeves with zoon system, ensuring solid and rigid union.

MOBeduc complies with TECNALIA Certification (Safety & Quality standards) in the manufacture of nursery and primary furniture.

TECNALIA offers a global service to the furniture sector by testing and certifying the behaviour of finished furniture and of each of its components with the following methodology:

- Initial inspection of our system of production and control.
- Initial test about the type of product.
- Surveillance, monitoring and evaluation of the quality system.
- Test of raw materials using random samples.
- Test of finished product using random samples.



Colour of structure

Haya (E18) y blanco (E23).

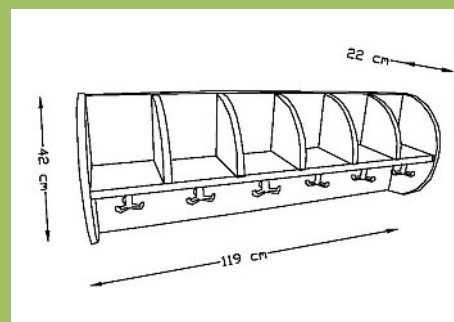
Colour of the dividers

Cherry red (E10), apple green (E13), lavender blue (E14), yellow (E17), beech (E18), orange (E19), dark blue (E20), dark Green (E21), pink (E22), White (E23).

Colour hooks



Distributed by:

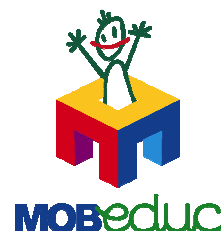


Measures

Width 119 cm. – Heigth 42 cm. – Depth 22 cm.

Furniture for other puposes

Bench shoemaker coat rack 5 squares



www.mobeduc.com



Ref.: 600647

Manufactured from 19 mm beech melamine and 2 mm PVC edges, finished for both sides.

Hooks made of polypropylene with rounded corners.

Adjustable feet in height of 4 cm.

Removable furniture with rounded edges to prevent cuts or wounds.

Assembly through sleeves with zoom system, ensuring solid and rigid union.

TECNALIA offers a global service to the furniture sector by testing and certifying the behaviour of finished furniture and of each of its components with the following methodology:

- Initial inspection of our system of production and control.
- Initial test about the type of product.
- Surveillance, monitoring and evaluation of the quality system.
- Test of raw materials using random samples
- Test of finished product using random samples.



Colour of the structure

Beech (E18).

Colour of the side and dividers

Cherry red (E10), Apple Green (E13), lavender blue (E14), yellow (E17), beech (E18), orange (E19), dark blue (E20), dark Green (E21), pink (E22) and White (E23).

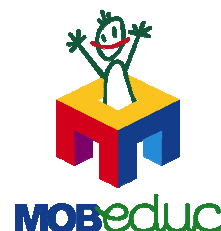
Distributed by:

Measures:

Width 100 cm. – Height 97 cm. – Depth 40 cm.

Furniture for other puposes

Bench shoemaker coat rack 6 squares



www.mobeduc.com



Ref.: 600648

Manufactured from 19 mm beech melamine and 2 mm PVC edges, finished for both sides.

Hooks made of polypropylene with rounded corners.

Adjustable feet in height of 4 cm.

Removable furniture with rounded edges to prevent cuts or wounds.

Assembly through sleeves with zoom system, ensuring solid and rigid union.

TECNALIA offers a global service to the furniture sector by testing and certifying the behaviour of finished furniture and of each of its components with the following methodology:

- Initial inspection of our system of production and control.
- Initial test about the type of product.
- Surveillance, monitoring and evaluation of the quality system.
- Test of raw materials using random samples
- Test of finished product using random samples.



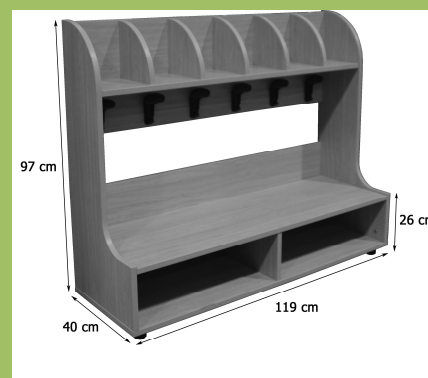
Colour of the structure

Beech (E18).

Colour of the side and dividers

Cherry red (E10), Apple Green (E13), lavender blue (E14), yellow (E17), beech (E18), orange (E19), dark blue (E20), dark Green (E21), pink (E22) and White (E23).

Distributed by:

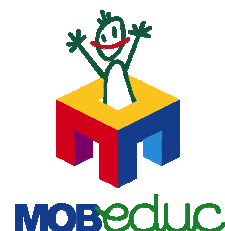


Measures:

Width 119 cm. – Height 97 cm. – Depth 40 cm.

Furniture for other puposes

Bench shoemaker coat rack 8 squares



www.mobeduc.com



Ref.: 600649

Manufactured from 19 mm beech melamine and 2 mm PVC edges, finished for both sides.

Hooks made of polypropylene with rounded corners.

Adjustable feet in height of 4 cm.

Removable furniture with rounded edges to prevent cuts or wounds.

Assembly through sleeves with zoom system, ensuring solid and rigid union.

TECNALIA offers a global service to the furniture sector by testing and certifying the behaviour of finished furniture and of each of its components with the following methodology:

- Initial inspection of our system of production and control.
- Initial test about the type of product.
- Surveillance, monitoring and evaluation of the quality system.
- Test of raw materials using random samples
- Test of finished product using random samples.



Colour of the structure

Beech (E18).

Colour of the side and dividers

Cherry red (E10), Apple Green (E13), lavender blue (E14), yellow (E17), beech (E18), orange (E19), dark blue (E20), dark Green (E21), pink (E22) and White (E23).

Distributed by:

Measures:

Width 158 cm. – Height 97 cm. – Depth 40 cm.

FURNITURES FOR OTHERS PURPOSES

Coat rack - 8 hooks



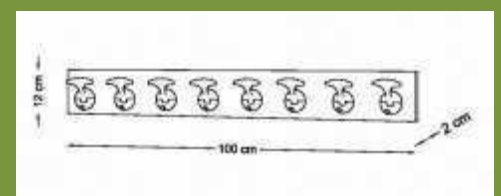
www.mobeduc.com



Colour of the structure

Pink (E22), Dark blue (E20), Dark green (E21), White (E23), Beech (E18), Cherry red (E10), Lavender blue (E14), Yellow (E17), Apple green (E13), Orange (E19)

Distributed by:



Measures

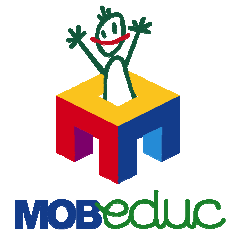
Length 100 cm. Height 12 cm. Depth 2 cm.

Ref.: 600607

Coat rack pieces manufactured from 19 mm beech melamine and 2mm PVC edges. Coat rack pieces manufactured from beech melamine and 2mm PVC edges. It has 8 hooks made in polypropylene with rounded edges and double system, to be able to hang the clothes of the boy. MOBeduc complies with TECNALIA Certification (Safety & Quality standards) in the manufacture of nursery and primary furniture. TECNALIA offers a global service to the furniture sector by testing and certifying the behaviour of finished furniture and of each of its components with the following methodology: - Initial inspection of our system of production and control. - Initial test about the type of product. - Surveillance, monitoring and evaluation of the quality system. - Test of raw materials using random samples - Test of finished product using random samples.

Furniture for other puposes

Coat rack, colors hooks



www.mobeduc.com



Ref.: 600646

Coat rack pieces manufactured from 19 mm beech melamine and 2mm PVC edges. Coat rack pieces manufactured from beech melamine and 2mm PVC edges. It has 8 hooks colors (red, blue, yellow, green) made in polypropylene with rounded edges and double system, to be able to hang the clothes of the boy.

MOBeduc complies with TECNALIA Certification (Safety & Quality standards) in the manufacture of nursery and primary furniture.

TECNALIA offers a global service to the furniture sector by testing and certifying the behaviour of finished furniture and of each of its components with the following methodology:

- Initial inspection of our system of production and control.
- Initial test about the type of product.
- Surveillance, monitoring and evaluation of the quality system.
- Test of raw materials using random samples
- Test of finished product using random samples.



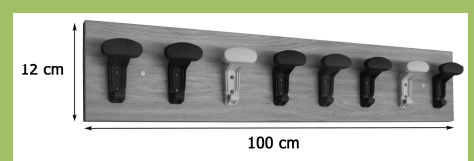
Colour of structure

Cherry red (E10), apple green (E13), lavander blue (E14), yellow (E17), beech (E18), orange (E19), dark blue (E20), dark Green (E21), pink (E22), White (E23).

Colous hooks



Distributed by:

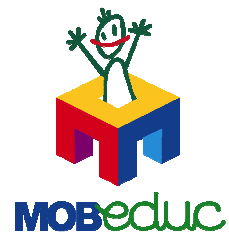


Measures

Width 100 cm. – Heigth 12 cm.

Furniture for other puposes

Coat rack, colors 4 hooks



www.mobeduc.com



Ref.: 600646/4

Coat rack pieces manufactured from 19 mm beech melamine and 2mm PVC edges. Coat rack pieces manufactured from beech melamine and 2mm PVC edges. It has 4 hooks colors (red, blue, yellow, green) made in polypropylene with rounded edges and double system, to be able to hang the clothes of the boy.

MOBeduc complies with TECNALIA Certification (Safety & Quality standards) in the manufacture of nursery and primary furniture.

TECNALIA offers a global service to the furniture sector by testing and certifying the behaviour of finished furniture and of each of its components with the following methodology:

- Initial inspection of our system of production and control.
- Initial test about the type of product.
- Surveillance, monitoring and evaluation of the quality system.
- Test of raw materials using random samples
- Test of finished product using random samples.



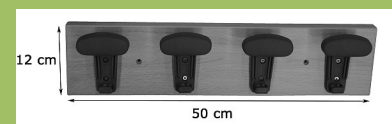
Colour of structure

Cherry red (E10), apple green (E13), lavender blue (E14), yellow (E17), beech (E18), orange (E19), dark blue (E20), dark Green (E21), pink (E22), White (E23).

Colous hooks



Distributed by:



Measures

Width 50 cm. – Heigth 12 cm.

FURNITURES FOR OTHERS PURPOSES

Book shelf



www.mobeduc.com



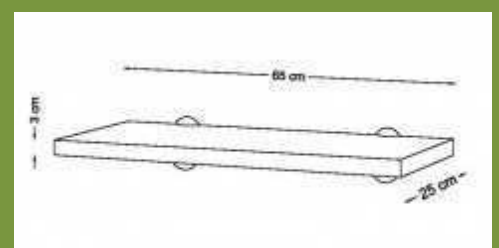
Ref.: 600608

Hard shelf, manufactured from 30 mm beech melamine and 2 mm PVC edges. Rounded corners to ensure greater safety. The wall mounting is through double clamping system. MOBeduc complies with TECNALIA Certification (Safety & Quality standards) in the manufacture of nursery and primary furniture. TECNALIA offers a global service to the furniture sector by testing and certifying the behaviour of finished furniture and of each of its components with the following methodology: - Initial inspection of our system of production and control. - Initial test about the type of product. - Surveillance, monitoring and evaluation of the quality system. - Test of raw materials using random samples. - Test of finished product using random samples.



Colours

Pink (E22), Dark blue (E20), Dark green (E21), White (E23), Beech (E18), Cherry red (E10), Lavander blue (E14), Yellow (E17), Apple green (E13), Orange (E19)



Measures

Length 65 cm. Height 3 cm. Depth 25 cm.

Distributed by:

FURNITURES FOR OTHERS PURPOSES

Book shelf 605



www.mobeduc.com



Ref.: 600621

Shelf manufactured from 19 mm beech melamine and 2mm PVC edges. Rounded edges. Robust system of fixation to the wall, by drilling and screwing. Assembly through sleeves with zoom system, ensuring solid and rigid union. Adjustable shelves attached to the the sides by special fixings capable of sustaining stress. MOBeduc complies with TECNALIA Certification (Safety & Quality standards) in the manufacture of nursery and primary furniture. TECNALIA offers a global service to the furniture sector by testing and certifying the behaviour of finished furniture and of each of its components with the following methodology: - Initial inspection of our system of production and control. - Initial test about the type of product. - Surveillance, monitoring and evaluation of the quality system. - Test of raw materials using random samples - Test of finished product using random samples.



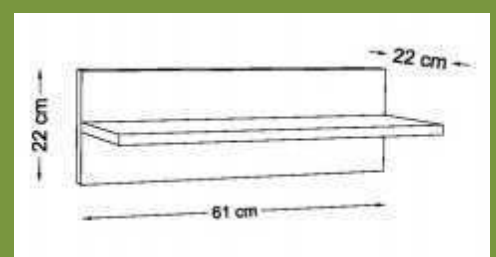
Colour of the structure

Beech (E18)

Colours

Pink (E22), Dark blue (E20), Dark green (E21), White (E23), Beech (E18), Cherry red (E10), Lavander blue (E14), Yellow (E17), Apple green (E13), Orange (E19)

Distributed by:



Measures

Length 61 cm. Height 22 cm. Depth 22 cm.

FURNITURES FOR OTHERS PURPOSES

Book shelf 800



www.mobeduc.com



Ref.: 600622

Shelf manufactured from 19 mm beech melamine and 2mm PVC edges. Rounded edges. Robust system of fixation to the wall, by drilling and screwing. Assembly through sleeves with zoom system, ensuring solid and rigid union. Adjustable shelves attached to the the sides by special fixings capable of sustaining stress. MOBeduc complies with TECNALIA Certification (Safety & Quality standards) in the manufacture of nursery and primary furniture. TECNALIA offers a global service to the furniture sector by testing and certifying the behaviour of finished furniture and of each of its components with the following methodology: - Initial inspection of our system of production and control. - Initial test about the type of product. - Surveillance, monitoring and evaluation of the quality system. - Test of raw materials using random samples - Test of finished product using random samples.



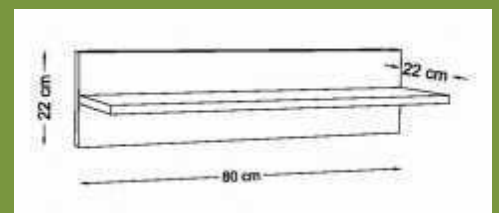
Colour of the structure

Beech (E18)

Colours

Pink (E22), Dark blue (E20), Dark green (E21), White (E23), Beech (E18), Cherry red (E10), Lavender blue (E14), Yellow (E17), Apple green (E13), Orange (E19)

Distributed by:



Measures

Length 80 cm. Height 22 cm. Depth 22 cm.

FURNITURES FOR OTHERS PURPOSES

Book shelf 1190



www.mobeduc.com



Colour of the structure

Beech (E18)

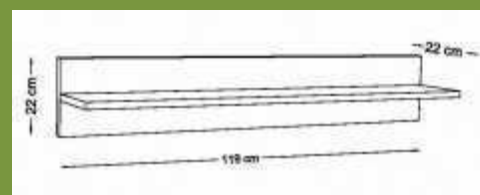
Colours

Pink (E22), Dark blue (E20), Dark green (E21), White (E23), Beech (E18), Cherry red (E10), Lavender blue (E14), Yellow (E17), Apple green (E13), Orange (E19)

Ref.: 600623

Shelf manufactured from 19 mm beech melamine and 2mm PVC edges. Rounded edges. Robust system of fixation to the wall, by drilling and screwing. Assembly through sleeves with zoom system, ensuring solid and rigid union. Adjustable shelves attached to the the sides by special fixings capable of sustaining stress. MOBeduc complies with TECNALIA Certification (Safety & Quality standards) in the manufacture of nursery and primary furniture. TECNALIA offers a global service to the furniture sector by testing and certifying the behaviour of finished furniture and of each of its components with the following methodology: - Initial inspection of our system of production and control. - Initial test about the type of product. - Surveillance, monitoring and evaluation of the quality system. - Test of raw materials using random samples - Test of finished product using random samples.

Distributed by:



Measures

Length 119 cm. Height 22 cm. Depth 22 cm.

FURNITURES FOR OTHERS PURPOSES

Closed book shelf 605



www.mobeduc.com



Ref.: 600624

Shelf with rounded rear and side support, manufactured from 19 mm beech melamine and 2 mm PVC edges, finished for both sides. Rounded corners. Robust attachment to the wall by drilling and screwing. Assembly through sleeves with zoon system, ensuring solid and rigid union. MOBeduc complies with TECNALIA Certification (Safety & Quality standards) in the manufacture of nursery and primary furniture. TECNALIA offers a global service to the furniture sector by testing and certifying the behaviour of finished furniture and of each of its components with the following methodology: - Initial inspection of our system of production and control. - Initial test about the type of product. - Surveillance, monitoring and evaluation of the quality system. - Test of raw materials using random samples. - Test of finished product using random samples.



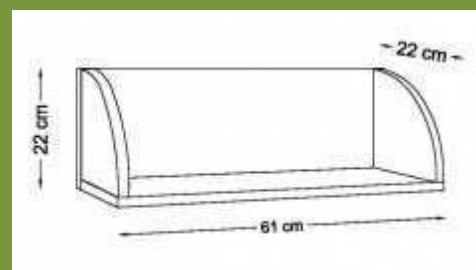
Colour of the structure

Beech (E18)

Colours of the end panels

Pink (E22), Dark blue (E20), Dark green (E21), White (E23), Beech (E18), Cherry red (E10), Lavander blue (E14), Yellow (E17), Apple green (E13), Orange (E19)

Distributed by:



Measures

Length 61 cm. Height 22 cm. Depth 22 cm.

FURNITURES FOR OTHERS PURPOSES

Closed book shelf 800



www.mobeduc.com



Ref.: 600625

Shelf with rounded rear and side support, manufactured from 19 mm beech melamine and 2 mm PVC edges, finished for both sides. Rounded corners. Robust attachment to the wall by drilling and screwing. Assembly through sleeves with zoon system, ensuring solid and rigid union. MOBeduc complies with TECNALIA Certification (Safety & Quality standards) in the manufacture of nursery and primary furniture. TECNALIA offers a global service to the furniture sector by testing and certifying the behaviour of finished furniture and of each of its components with the following methodology: - Initial inspection of our system of production and control. - Initial test about the type of product. - Surveillance, monitoring and evaluation of the quality system. - Test of raw materials using random samples. - Test of finished product using random samples.

E22

E20

E21

E23

E18

E10

E14

E17

E13

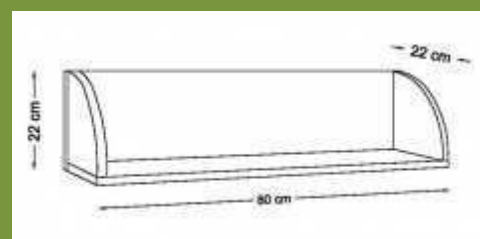
E19

Colour of the structure

Beech (E18)

Colours of the end panels

Pink (E22), Dark blue (E20), Dark green (E21), White (E23), Beech (E18), Cherry red (E10), Lavender blue (E14), Yellow (E17), Apple green (E13), Orange (E19)



Measures

Length 80 cm. Height 22 cm. Depth 22 cm.

Distributed by:

FURNITURES FOR OTHERS PURPOSES

Closed book shelf 1190



www.mobeduc.com



Ref.: 600626

Shelf with rounded rear and side support, manufactured from 19 mm beech melamine and 2 mm PVC edges, finished for both sides. Rounded corners. Robust attachment to the wall by drilling and screwing. Assembly through sleeves with zoon system, ensuring solid and rigid union. MOBeduc complies with TECNALIA Certification (Safety & Quality standards) in the manufacture of nursery and primary furniture. TECNALIA offers a global service to the furniture sector by testing and certifying the behaviour of finished furniture and of each of its components with the following methodology: - Initial inspection of our system of production and control. - Initial test about the type of product. - Surveillance, monitoring and evaluation of the quality system. - Test of raw materials using random samples. - Test of finished product using random samples.



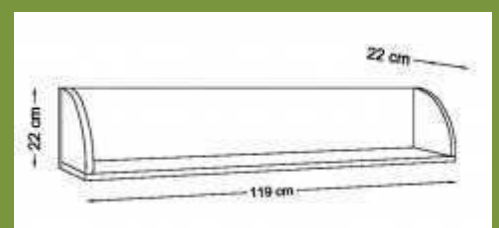
Colour of the structure

Beech (E18)

Colours of the end panels

Pink (E22), Dark blue (E20), Dark green (E21), White (E23), Beech (E18), Cherry red (E10), Lavander blue (E14), Yellow (E17), Apple green (E13), Orange (E19)

Distributed by:



Measures

Length 119 cm. Height 22 cm. Depth 22 cm.

FURNITURES FOR OTHERS PURPOSES

Furniture for mats and cushions



www.mobeduc.com



Ref.: 600627

Furniture to store 7 mats of 10 cm each one and cupboard with 3 shelves, manufactured from 19 mm beech melamine, except rear (10 mm), doors (16 mm) and 2 mm PVC edges, finished for both sides. We offer feet in two different heights: 4 cm and 8 cm high. Height adjustable feet are available for uneven floors and surfaces and also feet can be removed from the furniture. Internal doors to prevent finger trapping for maximum safety and door handles are made in a flexible soft polymer to prevent children to be hurt when falling. Removable furniture with rounded edges to prevent cuts or wounds. Our furniture has no sharp edges making it extra safe for children. Assembly through sleeves with zoon system, ensuring solid and rigid union. Adjustable shelves attached to the sides by special fixing capable of sustaining stress. MOBeduc complies with TECNALIA Certification (Safety & Quality standards) in the manufacture of nursery and primary furniture. TECNALIA offers a global service to the furniture sector by testing and certifying the behaviour of finished furniture and of each of its components with the following methodology: - Initial inspection of our system of production and control. - Initial test about the type of product. - Surveillance, monitoring and evaluation of the quality system. - Test of raw materials using random samples. - Test of finished product using random samples.



Colour of the structure

Beech (E18)

Colours of the doors

Pink (E22), Dark blue (E20), Dark green (E21), White (E23), Beech (E18), Cherry red (E10), Lavender blue (E14), Yellow (E17), Apple green (E13), Orange (E19)

Distributed by:



Measures

Length 120 cm. Height 129 cm. Depth 64 cm.

FURNITURES FOR OTHERS PURPOSES

Furniture for shoes



www.mobeduc.com



Ref.: 600603

Furniture for shoes with 30 boxes manufactured from 19 mm beech melamine, except rear (10mm); separator 16 mm. With 2mm PVC edges, finished for both sides. We offer feet in two different heights: 4 cm and 8 cm high. Height adjustable feet are available for uneven floors and surfaces and also feet can be removed from the furniture. For complete safe, this furniture must be screwed to the wall. Assembly through sleeves with zoom system, ensuring solid and rigid union. Adjustable shelves attached to the the sides by special fixings capable of sustaining stress. MOBeduc complies with TECNALIA Certification (Safety & Quality standards) in the manufacture of nursery and primary furniture. TECNALIA offers a global service to the furniture sector by testing and certifying the behaviour of finished furniture and of each of its components with the following methodology: - Initial inspection of our system of production and control. - Initial test about the type of product. - Surveillance, monitoring and evaluation of the quality system. - Test of raw materials using random samples - Test of finished product using random samples.



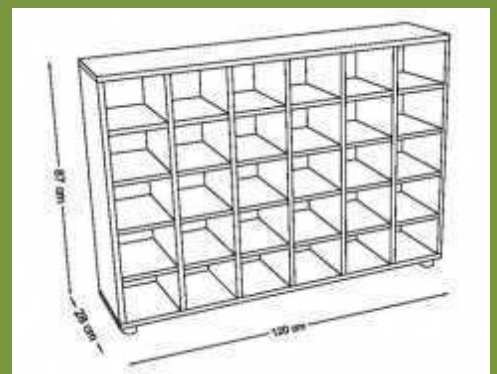
Colour of the structure

Beech (E18)

Colours of the shelves

Pink (E22), Dark blue (E20), Dark green (E21), White (E23), Beech (E18), Cherry red (E10), Lavander blue (E14), Yellow (E17), Apple green (E13), Orange (E19)

Distributed by:



Measures

Length 120 cm. Height 87 cm. Depth 28 cm.

FURNITURES FOR OTHERS PURPOSES

Cover radiator 75 cm

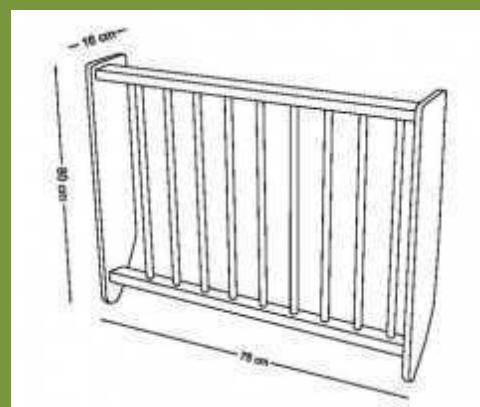


www.mobeduc.com



Ref.: 600609

Radiator cover with round bars made of solid pine, natural varnish. The lower side is cut at 45 degrees to save sockets. With rounded corners for safety. The separation between bars meet safety regulations.



Measures

Length 75 cm. Height 80 cm. Depth 16 cm.

Distributed by:

FURNITURES FOR OTHERS PURPOSES

Cover radiator 100 cm



www.mobeduc.com



Ref.: 600610

Radiator cover with round bars made of solid pine, natural varnish. The lower side is cut at 45 degrees to save sockets. With rounded corners for safety. The separation between bars meet safety regulations.

Distributed by:



Measures

Length 100 cm. Height 80 cm. Depth 16 cm.

FURNITURES FOR OTHERS PURPOSES

Cover radiator 125 cm

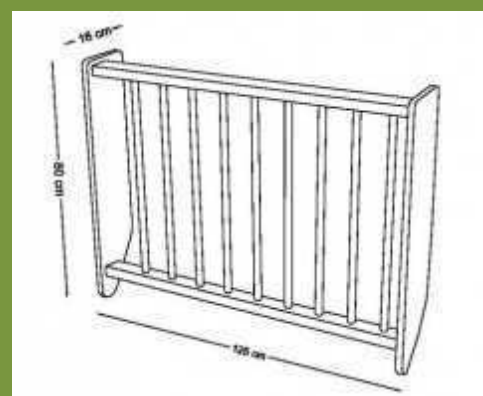


www.mobeduc.com



Ref.: 600611

Radiator cover with round bars made of solid pine, natural varnish. The lower side is cut at 45 degrees to save sockets. With rounded corners for safety. The separation between bars meet safety regulations.



Measures

Length 125 cm. Height 80 cm. Depth 16 cm.

Distributed by:

FURNITURES FOR OTHERS PURPOSES

Cover radiator 140 cm

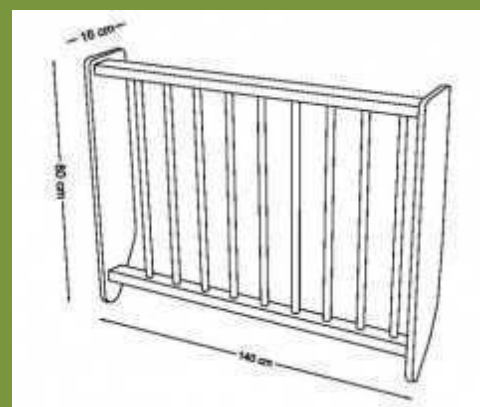


www.mobeduc.com



Ref.: 600612

Radiator cover with round bars made of solid pine, natural varnish. The lower side is cut at 45 degrees to save sockets. With rounded corners for safety. The separation between bars meet safety regulations.



Measures

Length 140 cm. Height 80 cm. Depth 16 cm.

Distributed by:

FURNITURES FOR OTHERS PURPOSES

Cupboard (42 cm)



www.mobeduc.com



Ref.: 600637

Cupboard composed of drawer on the top and door with adjustable shelf on the bottom, manufactured from 19 mm beech melamine, except rear (10 mm), doors (16 mm) and 2 mm PVC edges, finished for both sides. We offer feet in two different heights: 4 cm and 8 cm high. Height adjustable feet are available for uneven floors and surfaces and also feet can be removed from the furniture. Internal doors to prevent finger trapping for maximum safety and door handles are made in a flexible soft polymer to prevent children from being hurt when falling. It is possible to combine several modules with a counter (maximum 3 modules). Removable furniture with rounded edges to prevent cuts or wounds. Our furniture has no sharp edges making it extra safe for children. Assembly through sleeves with zoon system, ensuring solid and rigid union. Adjustable shelves attached to the sides by special fixing capable of sustaining stress. MOBeduc complies with TECNALIA Certification (Safety & Quality standards) in the manufacture of nursery and primary furniture. TECNALIA offers a global service to the furniture sector by testing and certifying the behaviour of finished furniture and of each of its components with the following methodology: - Initial inspection of our system of production and control. - Initial test about the type of product. - Surveillance, monitoring and evaluation of the quality system. - Test of raw materials using random samples - Test of finished product using random samples.



Colour of the structure

Beech (E18)

Colours of the doors and drawer fronts

Pink (E22), Dark blue (E20), Dark green (E21), White (E23), Beech (E18), Cherry red (E10), Lavender blue (E14), Yellow (E17), Apple green (E13), Orange (E19)

Distributed by:



Measures

Length 60 cm. Height 90 cm. Depth 42 cm.

FURNITURES FOR OTHERS PURPOSES

Cupboard (60 cm)



www.mobeduc.com



Ref.: 600638

Cupboard composed of drawer on the top and door with adjustable shelf on the bottom, manufactured from 19 mm beech melamine, except rear (10 mm), doors (16 mm) and 2 mm PVC edges, finished for both sides. We offer feet in two different heights: 4 cm and 8 cm high. Height adjustable feet are available for uneven floors and surfaces and also feet can be removed from the furniture. Internal doors to prevent finger trapping for maximum safety and door handles are made in a flexible soft polymer to prevent children from being hurt when falling. It is possible to combine several modules with a counter (maximum 3 modules). Removable furniture with rounded edges to prevent cuts or wounds. Our furniture has no sharp edges making it extra safe for children. Assembly through sleeves with zoon system, ensuring solid and rigid union. Adjustable shelves attached to the sides by special fixing capable of sustaining stress. MOBeduc complies with TECNALIA Certification (Safety & Quality standards) in the manufacture of nursery and primary furniture. TECNALIA offers a global service to the furniture sector by testing and certifying the behaviour of finished furniture and of each of its components with the following methodology: - Initial inspection of our system of production and control. - Initial test about the type of product. - Surveillance, monitoring and evaluation of the quality system. - Test of raw materials using random samples - Test of finished product using random samples.



Colour of the structure

Beech (E18)

Colours of the doors and drawer fronts

Pink (E22), Dark blue (E20), Dark green (E21), White (E23), Beech (E18), Cherry red (E10), Lavender blue (E14), Yellow (E17), Apple green (E13), Orange (E19)

Distributed by:



Measures

Length 60 cm. Height 90 cm. Depth 60 cm.

FURNITURES FOR OTHERS PURPOSES

Car to evacuate children in case of fire



www.mobeduc.com



Ref.: 600639

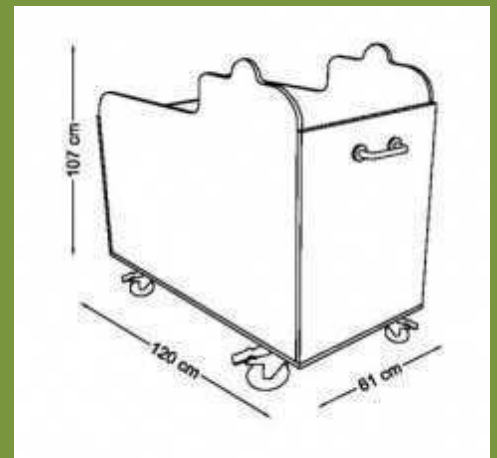
Manufactured DM melamine thick with rounded edges and painted with nontoxic paints and beech melamine and 2 mm PVC edges. This car has wheels, with duty brake and metal loop on the front. Easy to move. Decorated in its four sides with a fun fire truck. Assembly through sleeves with zoon system, ensuring solid and rigid union. In case of emergency, it is essential for evacuating children. MOBeduc complies with TECNALIA Certification (Safety & Quality standards) in the manufacture of nursery and primary furniture. TECNALIA offers a global service to the furniture sector by testing and certifying the behaviour of finished furniture and of each of its components with the following methodology: - Initial inspection of our system of production and control. - Initial test about the type of product. - Surveillance, monitoring and evaluation of the quality system. - Test of raw materials using random samples - Test of finished product using random samples.



Colours

Beech (E18), Cherry red (E10), Lavander blue (E14), Yellow (E17), Apple green (E13), Orange (E19)

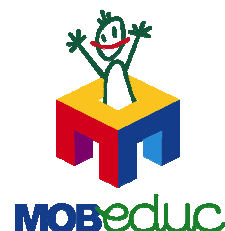
Distributed by:



Measures

Length 61 cm. Height 107 cm. Depth 120 cm.

Fence



www.mobeduc.com



Ref.: 600643

Fence to create enclosed spaces with total visibility, playgrounds, separation of space, etc.

Manufactured DM melamine thick with rounded edges and painted with nontoxic varnish.

Side anchors in solid beech wood, providing more strength at the junction between fences. These anchors allow different angle positions giving us multiple combinations of contour.

Finished on both sides.

Possibility to choose front decoration, open (as shown in the photo) or blind (with logo MOBeduc).

MOBeduc complies with TECNALIA Certification (Safety & Quality standards) in the manufacture of nursery and primary furniture.

TECNALIA offers a global service to the furniture sector by testing and certifying the behaviour of finished furniture and of each of its components with the following methodology:

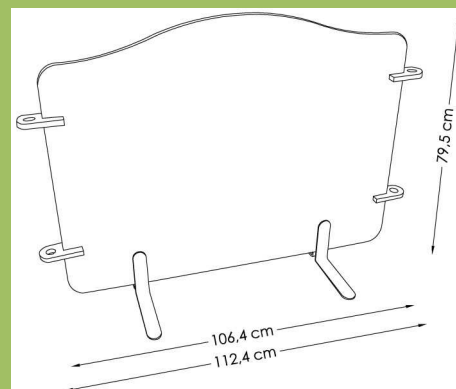
- Initial inspection of our system of production and control.
- Initial test about the type of product.
- Surveillance, monitoring and evaluation of the quality system.
- Test of raw materials using random samples
- Test of finished product using random samples.



Colours

Cherry red (E10), apple green (E13), lavender blue (E14), yellow (E17), beech (E18), orange (E19).

Distributed by:

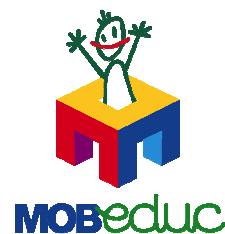


Measures

Width 112,4 cm. – Heigth 79,5 cm.

Furniture for other puposes

Fence door



www.mobeduc.com



E10

E13

E14

E17

E18

E19

Colours

Cherry red (E10), apple green (E13), lavender blue (E14), yellow (E17), beech (E18), orange (E19).

Distributed by:

Ref.: 600644

Door to create enclosed with fences, playgrounds, separation of spaces, etc. Manufactured DM melamine thick with rounded edges and painted with nontoxic varnish.

Side anchors in solid beech wood, providing more strength at the junction between fences. These anchors allow different angle positions giving us multiple combinations of contour.

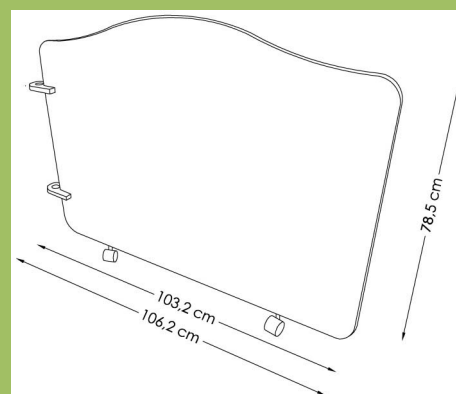
Finish on both sides.

6 cm castors with brakes to prevent moisture and to move it easily.

This door has a metal closing hook to ensure locking.

MOBeduc complies with TECNALIA Certification (Safety & Quality standards) in the manufacture of nursery and primary furniture. TECNALIA offers a global service to the furniture sector by testing and certifying the behaviour of finished furniture and of each of its components with the following methodology:

- Initial inspection of our system of production and control.
- Initial test about the type of product.
- Surveillance, monitoring and evaluation of the quality system.
- Test of raw materials using random samples
- Test of finished product using random samples.

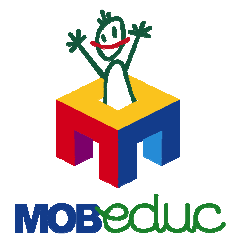


Measures

Width 106,2 cm. – Heigth 78,5 cm.

Furniture for other puposes

Support fence



www.mobeduc.com



Ref.: 600645

Support for anchoring and fixing the fence to the wall.

Manufactured form 19 mm beech melamine and 2 mm PVC edges.

Side anchors in solid beech wood, providing more strength at the junction between fences. These anchors allow different angle positions giving us multiple combinations of contour.

MOBeduc complies with TECNALIA Certification (Safety & Quality standards) in the manufacture of nursery and primary furniture.

TECNALIA offers a global service to the furniture sector by testing and certifying the behaviour of finished furniture and of each of its components with the following methodology:

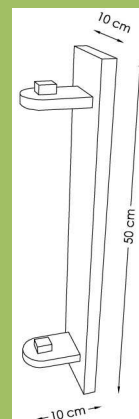
- Initial inspection of our system of production and control.
- Initial test about the type of product.
- Surveillance, monitoring and evaluation of the quality system.
- Test of raw materials using random samples
- Test of finished product using random samples.

E18

Colour of structure

Beech (E18).

Distributed by:

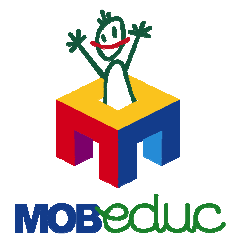


Measures

Width 10 cm. – Heigth 10 cm.

Furniture for painting

Folding bed



www.mobeduc.com



Ref.: 600651

Folding bed, manufactured from 19 mm beech melamine, rear 10 mm and 2 mm PVC edges, finished for both sides. Door in MDF 16 mm with rounded edges and painted with non toxic varnish. Lockable. Includes foam mattress.

Assembly through sleeves with zoon system, ensuring solid and rigid union.

TECNALIA offers a global service to the furniture sector by testing and certifying the behaviour of finished furniture and of each of its components with the following methodology:

- Initial inspection of our system of production and control.
- Initial test about the type of product.
- Surveillance, monitoring and evaluation of the quality system.
- Test of raw materials using random samples
- Test of finished product using random samples.



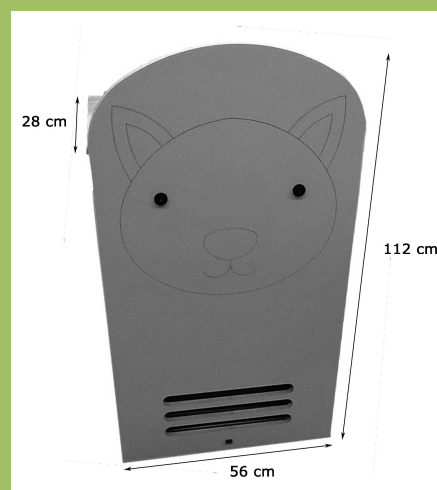
Colour of structure

Beech (E18) and white (E23).

Colours of the door

Cherry red (E10), apple green (E13), lavender blue (E14), yellow (E17), beech (E18), orange (E19).

Distributed by:



Measures

Width 56 cm. – Heigth 112 cm. – Depth 28 cm.

Identity area furniture

6

Un gran diseño para los más pequeños



MOBeduc

IDENTITY AREA FURNITURE

Theatre



www.mobeduc.com



Ref.: 602001

Composed by 2 towers with 5 shelves each one, with top canopy, manufactured from beech melamine and 2mm PVC edges, finished for both sides. Ended with aesthetic design made of DM melamine with rounded edges and painted with nontoxic paints. Height adjustable feet (4 cm) are available for uneven floors and surfaces and also feet can be removed from the furniture. The furniture has bar to hang the curtains. For complete safe, this piece of furniture must be screwed to the wall through bars of safety (2 safety bars on the top back are included). Assembly through sleeves with zoom system, ensuring solid and rigid union. For complete safe, this furniture must be screwed to the wall by means of his corresponding bars of safety. MOBeduc complies with TECNALIA Certification (Safety & Quality standards) in the manufacture of nursery and primary furniture. TECNALIA offers a global service to the furniture sector by testing and certifying the behaviour of finished furniture and of each of its components with the following methodology: - Initial inspection of our system of production and control. - Initial test about the type of product. - Surveillance, monitoring and evaluation of the quality system. - Test of raw materials using random samples - Test of finished product using random samples.

Objective: To provide the child an environment that will serve to express their creativity and language, helping you to discover other parts of their identity.



Colour of the structure

Beech (E18)

Colour of the shelves

Beech (E18), Cherry red (E10), Lavander blue (E14), Yellow (E17), Apple green (E13), Orange (E19)

Objective

To provide the child an environment that will serve to express their creativity and language, helping you to discover other parts of their identity.

Measures of the bars

120 cm.

Distributed by:



Measures

Length 200 cm. Height 198 cm. Depth 40 cm.

IDENTITY AREA FURNITURE

Theatre & marionette



www.mobeduc.com



Ref.: 602015

Furniture for theatre and marionettes with two shelves. Decorated with funny scene and clowns. Manufactured from 19mm beech melamine and 2 mm PVC edges and DM of melamine thick with rounded edges and painted with nontoxic paints. Curtains included. Assembly through sleeves with zoon system, ensuring solid and rigid union. Adjustable shelves attached to the sides by special fixing capable of sustaining stress. MOBeduc complies with TECNALIA Certification (Safety & Quality standards) in the manufacture of nursery and primary furniture. TECNALIA offers a global service to the furniture sector by testing and certifying the behaviour of finished furniture and of each of its components with the following methodology: - Initial inspection of our system of production and control. - Initial test about the type of product. - Surveillance, monitoring and evaluation of the quality system. - Test of raw materials using random samples - Test of finished product using random samples.



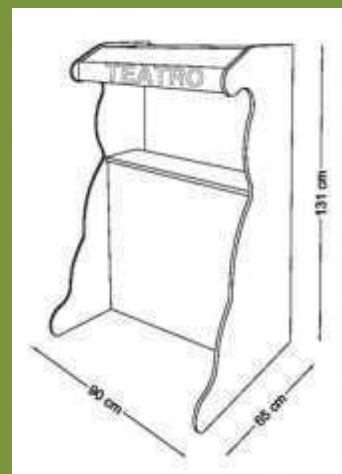
Colour of the sides and worktop

Beech (E18)

Colours of the top and fronts

Beech (E18), Cherry red (E10), Lavander blue (E14), Yellow (E17), Apple green (E13), Orange (E19)

Distributed by:

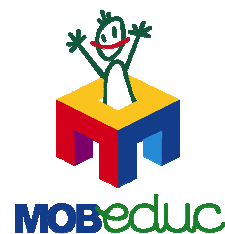


Measures

Length 90 cm. Height 131 cm. Depth 65 cm.

Identity area furniture

ECO Theatre



www.mobeduc.com



Ref.: 602016

Manufactured from 19 mm beech melamine, and 2 mm PVC edges, and melamine MDF 16 mm, finished for both sides.

Assembly through sleeves with zoon system, ensuring solid and rigid union. Adjustable shelves attached to the sides by special fixing capable of sustaining stress.

MOBeduc complies with TECNALIA Certification (Safety & Quality standards) in the manufacture of nursery and primary furniture.

TECNALIA offers a global service to the furniture sector by testing and certifying the behaviour of finished furniture and of each of its components with the following methodology:

- Initial inspection of our system of production and control.
- Initial test about the type of product.
- Surveillance, monitoring and evaluation of the quality system.
- Test of raw materials using random samples
- Test of finished product using random samples.



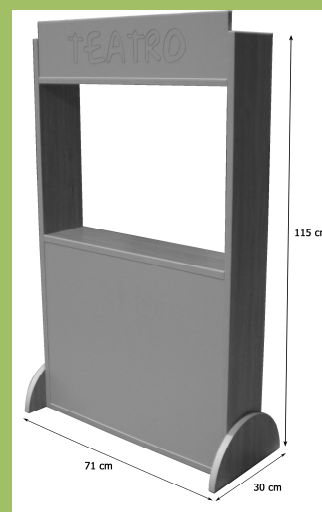
Colour of structure

Beech (E18)

Colours of the front

Cherry red (E10), apple green (E13), lavender blue (E14), yellow (E17), beech (E18), orange (E19).

Distributed by:



Measures

Width 71 cm. – Height 115 cm. – Depth 30 cm.

IDENTITY AREA FURNITURE

Furniture for costumes



www.mobeduc.com



Ref.: 602002

Piece of Furniture for costumes, manufactured from 19 mm beech melamine and 2 mm PVC edges, finished for both sides. 6 cm Castors with brakes to prevent moisture and to move it easily. Available with feet. This furniture has a safety mirror of 3 mm with rear adhesive firm, in this way there is no detachment in case of breakage in one of its sides and central hanger bar for costumes. Assembly through sleeves with zoon system, ensuring solid and rigid union. MOBeduc complies with TECNALIA Certification (Safety & Quality standards) in the manufacture of nursery and primary furniture. TECNALIA offers a global service to the furniture sector by testing and certifying the behaviour of finished furniture and of each of its components with the following methodology: - Initial inspection of our system of production and control. - Initial test about the type of product. - Surveillance, monitoring and evaluation of the quality system. - Test of raw materials using random samples. - Test of finished product using random samples. Objective: To promote the transformation of the child in another character playing different roles and even he can know the different parts of his/her body.



Colour of the structure

Beech (E18)

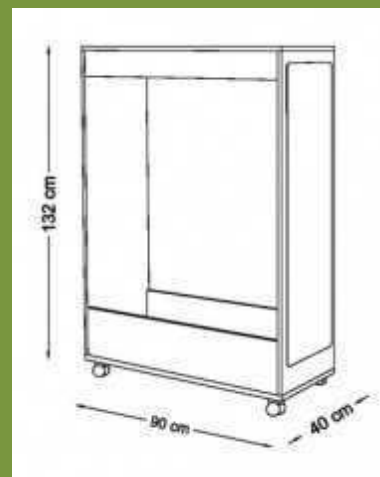
Colours of the front

Pink (E22), Dark blue (E20), Dark green (E21), White (E23), Beech (E18), Cherry red (E10), Lavander blue (E14), Yellow (E17), Apple green (E13), Orange (E19)

Objective

To promote the transformation of the child in another character playing different roles and even he can know the different parts of his/her body.

Distributed by:



Measures

Length 90 cm. Height 132 cm. Depth 40 cm.

IDENTITY AREA FURNITURE

Furniture for costumes to the wall



www.mobeduc.com



Ref.: 602003

Piece of furniture for costumes to the wall, Manufactured from 19 mm beech melamine and 2 mm PVC edges, finished for both sides. We offer feet in two different heights: 4 cm and 8 cm high. Height adjustable feet are available for uneven floors and surfaces and also feet can be removed from the furniture. Available with castors. This furniture has a safety mirror of 3 mm with rear adhesive film, in this way there is no detachment in case of breakage in one of its sides and central hanger bar for costumes. Assembly through sleeves with zoon system, ensuring solid and rigid union. MOBeduc complies with TECNALIA Certification (Safety & Quality standards) in the manufacture of nursery and primary furniture. TECNALIA offers a global service to the furniture sector by testing and certifying the behaviour of finished furniture and of each of its components with the following methodology: - Initial inspection of our system of production and control. - Initial test about the type of product. - Surveillance, monitoring and evaluation of the quality system. - Test of raw materials using random samples. - Test of finished product using random samples. Objective: To promote the transformation of the child in another character playing different roles and even he can know the different parts of his/ her body.

E18

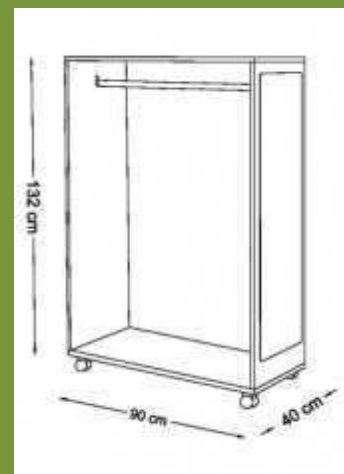
Colour of the structure

Beech (E18)

Objective

To promote the transformation of the child in another character playing different roles and even he can know the different parts of his/ her body.

Distributed by:



Measures

Length 90 cm. Height 132 cm. Depth 40 cm.

IDENTITY AREA FURNITURE

Furniture for costumes "Horse"



www.mobeduc.com



Ref.: 602014

Piece of furniture for costumes with two shoes storage racks. Manufactured from 19 mm beech melamine and 2 mm PVC edges. DM sides of melamine thick with rounded edges and painted with nontoxic paints. 6 cm Castors with brakes to prevent moisture and to move it easily. Available with feet. This furntirue has a safety mirror in one of its sides and central hanger bar for costumes. Sides with the shape of a happy horse. Assembly through sleeves with zoon system, ensuring solid and rigid union. MOBeduc complies with TECNALIA Certification (Safety & Quality standards) in the manufacture of nursery and primary furniture. TECNALIA offers a global service to the furniture sector by testing and certifying the behaviour of finished furniture and of each of its components with the following methodology: - Initial inspection of our system of production and control. - Initial test about the type of product. - Surveillance, monitoring and evaluation of the quality system. - Test of raw materials using random samples - Test of finished product using random samples.



E18

E10

E14

E17

E13

E19

Colour of the structure

Beech (E18)

Colour of the front and sides

Beech (E18), Cherry red (E10), Lavander blue (E14), Yellow (E17), Apple green (E13), Orange (E19)



Measures

Length 90 cm. Height 109 cm. Depth 40 cm.

Distributed by:

IDENTITY AREA FURNITURE

Big wooden box for toys



www.mobeduc.com



Ref.: 602004

Big wooden box for toys. This box has a damper pieces to slow the lid closing so that little fingers do not get trapped. Manufactured from 19 mm beech melamine and 2 mm PVC edges, finished for both sides. 6 cm castors with brakes to prevent moisture and to move it easily. Available with feet. Removable furniture with rounded edges to prevent cuts or wounds. Our furniture has no sharp edges making it extra safe for children. Assembly through sleeves with zoon system, ensuring solid and rigid union. MOBeduc complies with TECNALIA Certification (Safety & Quality standards) in the manufacture of nursery and primary furniture. TECNALIA offers a global service to the furniture sector by testing and certifying the behaviour of finished furniture and of each of its components with the following methodology: - Initial inspection of our system of production and control. - Initial test about the type of product. - Surveillance, monitoring and evaluation of the quality system. - Test of raw materials using random samples - Test of finished product using random samples. Objective: Furniture to organize children's games.



Colour of the structure

Beech (E18)

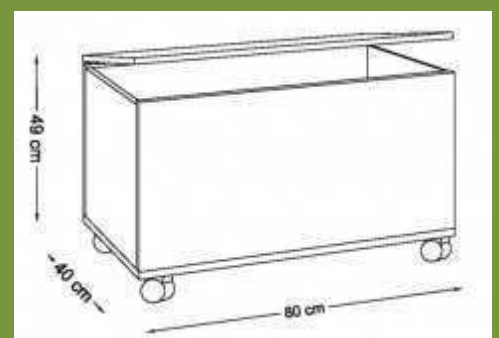
Colours of the top and end panels

Pink (E22), Dark blue (E20), Dark green (E21), White (E23), Beech (E18), Cherry red (E10), Lavender blue (E14), Yellow (E17), Apple green (E13), Orange (E19)

Objective

Furniture to organize children's games.

Distributed by:



Measures

Length 80 cm. Height 49 cm. Depth 40 cm.

IDENTITY AREA FURNITURE

Mirror 120x90 cm



www.mobeduc.com



Ref.: 602005

Safety mirror with rear adhesive film, in this way there is no detachment in case of breakage. Solid beech wood framework varnished with nontoxic paint. Robust attachment to the wall by drilling and screwing. Objective: To help the child to know his image and others images.

E18

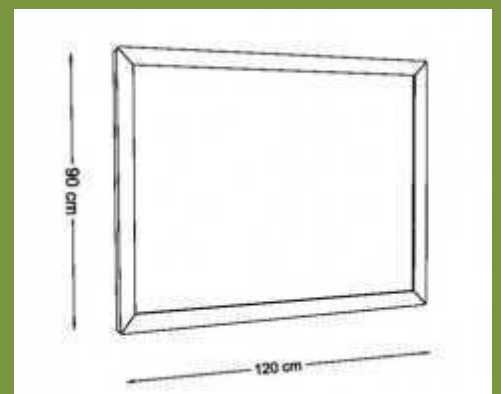
Colours of the frame

Beech (E18)

Objective

To help the child to know his image and others images.

Distributed by:



Measures

Length 120 cm. Height 90 cm. Depth 2,5 cm.

IDENTITY AREA FURNITURE

Wooden rail for mirror



www.mobeduc.com



Ref.: 602006

Solid pine bars of 35 mm diameter, apinted with nontoxic paint. Robust attachment to the wall by drilling and screwing. Objective: To increase the mobility of the child, while playing with her reflection in the mirror.

E18

E14

Colours

Beech (E18), Lavander blue (E14)

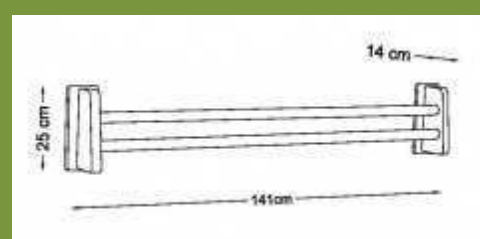
Objective

To increase the mobility of the child, while playing with her reflection in the mirror.

Bars

Solid pine

Distributed by:

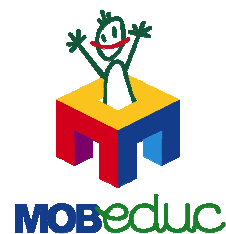


Measures

Length 141 cm. Height 25 cm. Depth 14 cm.

Identity area furniture

BEAR mirror



www.mobeduc.com



Ref.: 602017

Tender bear manufactured from melamine MDF 16 mm with rounded edges and painted with non toxic varnish. It has secures 2 mirror with back, without detechment in case of break.

TECNALIA offers a global service to the furniture sector by testing and certifying the behaviour of finished furniture and of each of its components with the following methodology:

- Initial inspection of our system of production and control.
- Initial test about the type of product.
- Surveillance, monitoring and evaluation of the quality system.
- Test of raw materials using random samples
- Test of finished product using random samples.



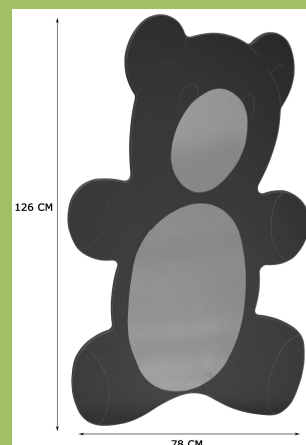
Colour of structure

Beech (E18)

Colours of the front

Cherry red (E10), apple green (E13), lavender blue (E14), yellow (E17), beech (E18), orange (E19).

Distributed by:

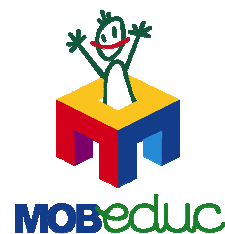


Measures

Width 78 cm. – Heigth 126 cm. – Depth 2 cm.

Identity area furniture

Mirror



www.mobeduc.com



Ref.: 602018

Manufactured from melamine MDF 16 mm with rounded edges and painted with non toxic varnish.

It has secures mirror with back, without detechment in case of break.

TECNALIA offers a global service to the furniture sector by testing and certifying the behaviour of finished furniture and of each of its components with the following methodology:

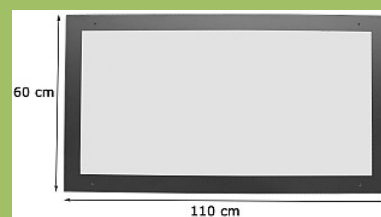
- Initial inspection of our system of production and control.
- Initial test about the type of product.
- Surveillance, monitoring and evaluation of the quality system.
- Test of raw materials using random samples
- Test of finished product using random samples.



Colours of structure

Cherry red (E10), apple green (E13), lavender blue (E14), yellow (E17), beech (E18), orange (E19), dark blue (E20), dark Green (E21), pink (E22), White (E23).

Distributed by:



Measures

Width 110 cm. – Heigth 60 cm. – Depth 2 cm.

Symbolic game furniture 7

Un gran diseño para los más pequeños



SYMBOLIC GAME FURNITURE

Kitchen set - Stove



www.mobeduc.com



Ref.: 602007

Stove to play. Manufactured from 19 mm beech melamine and 2mm PVC edges, finished for both sides and DM melamine thick with rounded edges and painted with nontoxic paints. Rear 10 mm. Finished for both sides. Rear 10 mm. Anti finger trap doors (16 mm). With methacrylate window of great resistance. Cooker with cooker ring and control knobs. Control knobs made of solid beech wood. Assembly through sleeves with zoom system, ensuring solid and rigid union. Adjustable shelves attached to the the sides by special fixings capable of sustaining stress. MOBeduc complies with TECNALIA Certification (Safety & Quality standards) in the manufacture of nursery and primary furniture. TECNALIA offers a global service to the furniture sector by testing and certifying the behaviour of finished furniture and of each of its components with the following methodology: - Initial inspection of our system of production and control. - Initial test about the type of product. - Surveillance, monitoring and evaluation of the quality system. - Test of raw materials using random samples - Test of finished product using random samples.



Colour of the structure

Beech (E18)

Colours of the door and worktop

Beech (E18), Cherry red (E10), Lavander blue (E14), Yellow (E17), Apple green (E13), Orange (E19)

Distributed by:



Measures

Length 40 cm. Height 56 cm. Depth 40 cm.

SYMBOLIC GAME FURNITURE

Kitchen set - Sink



www.mobeduc.com



Ref.: 602008

Sink to play. Manufactured from 19 mm beech melamine and 2mm PVC edges, finished for both sides and DM melamine thick with rounded edges and painted with nontoxic paints. Rear 10 mm. Finished for both sides. Rear 10 mm. Anti finger trap doors (16 mm). Kitchen Tap made of solid beech wood and plastic sink. Assembly through sleeves with zoom system, ensuring solid and rigid union. Adjustable shelves attached to the the sides by special fixings capable of sustaining stress. MOBeduc complies with TECNALIA Certification (Safety & Quality standards) in the manufacture of nursery and primary furniture. TECNALIA offers a global service to the furniture sector by testing and certifying the behaviour of finished furniture and of each of its components with the following methodology: - Initial inspection of our system of production and control. - Initial test about the type of product. - Surveillance, monitoring and evaluation of the quality system. - Test of raw materials using random samples - Test of finished product using random samples.



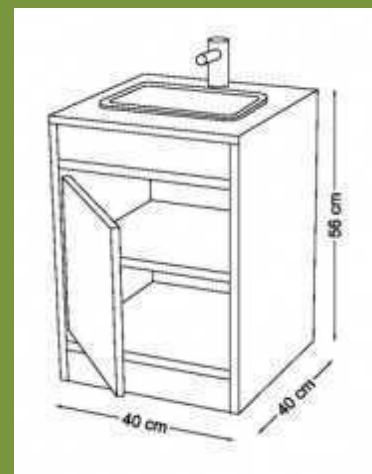
Colour of the structure

Beech (E18)

Colours of the door and worktop

Beech (E18), Cherry red (E10), Lavander blue (E14), Yellow (E17), Apple green (E13), Orange (E19)

Distributed by:



Measures

Length 40 cm. Height 56 cm. Depth 40 cm.

SYMBOLIC GAME FURNITURE

Kitchen set - Washing machine



www.mobeduc.com



Ref.: 602009

Washing machine to play. Manufactured from 19 mm beech melamine and 2mm PVC edges, finished for both sides and DM melamine thick with rounded edges and painted with nontoxic paints. Rear 10 mm. Finished for both sides. Rear 10 mm. Anti finger trap doors (16 mm). With methacrylate window of great resistance. Program selector made of solid beech wood. Assembly through sleeves with zoom system, ensuring solid and rigid union. Adjustable shelves attached to the the sides by special fixings capable of sustaining stress. MOBeduc complies with TECNALIA Certification (Safety & Quality standards) in the manufacture of nursery and primary furniture. TECNALIA offers a global service to the furniture sector by testing and certifying the behaviour of finished furniture and of each of its components with the following methodology: - Initial inspection of our system of production and control. - Initial test about the type of product. - Surveillance, monitoring and evaluation of the quality system. - Test of raw materials using random samples - Test of finished product using random samples.



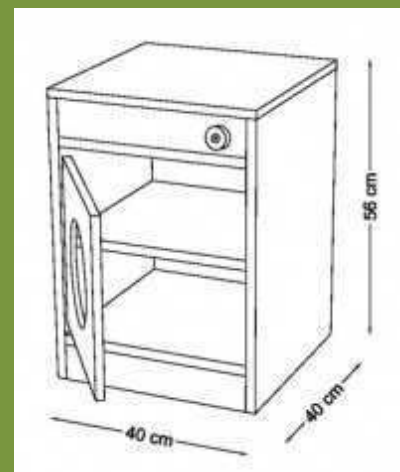
Colour of the structure

Beech (E18)

Colours of the door and worktop

Beech (E18), Cherry red (E10), Lavander blue (E14), Yellow (E17), Apple green (E13), Orange (E19)

Distributed by:



Measures

Length 40 cm. Height 56 cm. Depth 40 cm.

SYMBOLIC GAME FURNITURE

Kitchen set - Fridge



www.mobeduc.com



Ref.: 602010

Fridge to play. Manufactured from 19 mm beech melamine and 2mm PVC edges, finished for both sides and DM melamine thick with rounded edges and painted with nontoxic paints. Rear 10 mm. Finished for both sides. Rear 10 mm. Anti finger trap doors (16 mm). Bottle Clip available inside the door. Assembly through sleeves with zoom system, ensuring solid and rigid union. Adjustable shelves attached to the the sides by special fixings capable of sustaining stress. MOBeduc complies with TECNALIA Certification (Safety & Quality standards) in the manufacture of nursery and primary furniture. TECNALIA offers a global service to the furniture sector by testing and certifying the behaviour of finished furniture and of each of its components with the following methodology: - Initial inspection of our system of production and control. - Initial test about the type of product. - Surveillance, monitoring and evaluation of the quality system. - Test of raw materials using random samples - Test of finished product using random samples.



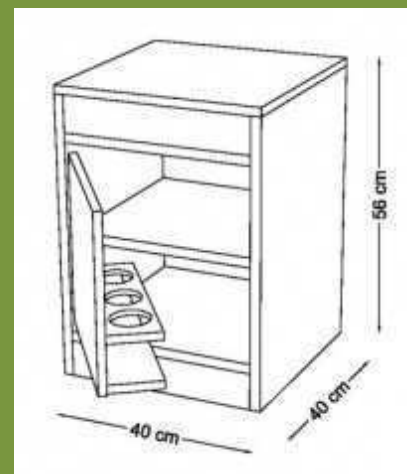
Colour of the structure

Beech (E18)

Colours of the door and worktop

Beech (E18), Cherry red (E10), Lavander blue (E14), Yellow (E17), Apple green (E13), Orange (E19)

Distributed by:



Measures

Length 40 cm. Height 56 cm. Depth 40 cm.

SYMBOLIC GAME FURNITURE

Kitchen set - Dishwasher



www.mobeduc.com



Ref.: 602011

Dishwasher to play. Manufactured from 19 mm beech melamine and 2mm PVC edges, finished for both sides and DM melamine thick with rounded edges and painted with nontoxic paints. Rear 10 mm. Finished for both sides. Rear 10 mm. Anti finger trap doors (16 mm). Control knobs made of solid beech wood. Assembly through sleeves with zoom system, ensuring solid and rigid union. Adjustable shelves attached to the the sides by special fixings capable of sustaining stress. MOBeduc complies with TECNALIA Certification (Safety & Quality standards) in the manufacture of nursery and primary furniture. TECNALIA offers a global service to the furniture sector by testing and certifying the behaviour of finished furniture and of each of its components with the following methodology: - Initial inspection of our system of production and control. - Initial test about the type of product. - Surveillance, monitoring and evaluation of the quality system. - Test of raw materials using random samples - Test of finished product using random samples.



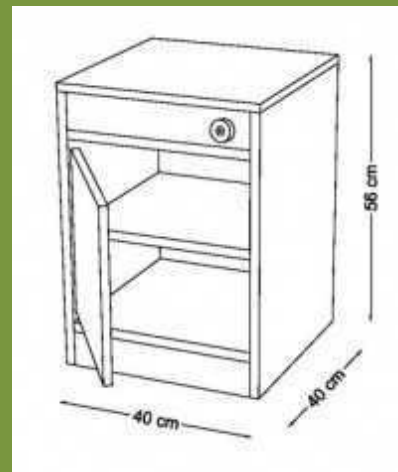
Colour of the structure

Beech (E18)

Colours of the door and worktop

Beech (E18), Cherry red (E10), Lavander blue (E14), Yellow (E17), Apple green (E13), Orange (E19)

Distributed by:



Measures

Length 40 cm. Height 56 cm. Depth 40 cm.

SYMBOLIC GAME FURNITURE

Kitchen set - Fridge & Microwave



www.mobeduc.com



Ref.: 602012

Fridge & microwave to play. Manufactured from 19 mm beech melamine and 2mm PVC edges, finished for both sides and DM melamine thick with rounded edges and painted with nontoxic paints. Rear 10 mm. Finished for both sides. Rear 10 mm. Anti finger trap doors (16 mm). Microwave with methacrylate window of great resistance and control knobs made of solid beech wood. Bottle clip available inside the refrigerator door. Assembly through sleeves with zoom system, ensuring solid and rigid union. Adjustable shelves attached to the sides by special fixings capable of sustaining stress. MOBeduc complies with TECNALIA Certification (Safety & Quality standards) in the manufacture of nursery and primary furniture. TECNALIA offers a global service to the furniture sector by testing and certifying the behaviour of finished furniture and of each of its components with the following methodology: - Initial inspection of our system of production and control. - Initial test about the type of product. - Surveillance, monitoring and evaluation of the quality system. - Test of raw materials using random samples - Test of finished product using random samples.



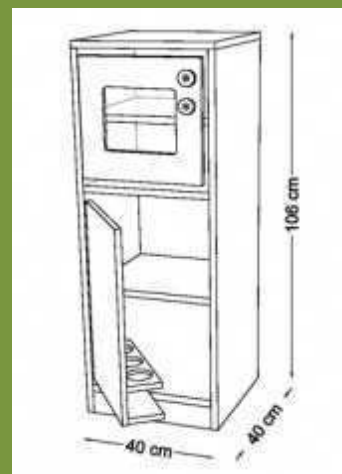
Colour of the structure

Beech (E18)

Colours of the doors

Beech (E18), Cherry red (E10), Lavander blue (E14), Yellow (E17), Apple green (E13), Orange (E19)

Distributed by:



Measures

Length 40 cm. Height 106 cm. Depth 40 cm.

SYMBOLIC GAME FURNITURE

Supermarket



www.mobeduc.com



Ref.: 602013

Supermarket with sloping shelves to show dairy foods and with rail to prevent foods from falling, with counter and awning. Manufactured from 19 mm beech melamine and 2mm PVC edges, finished for both sides and DM melamine thick with rounded edges and painted with nontoxic paints. Finished for both sides. Sides decorated with various fruits. Assembly through sleeves with zoom system, ensuring solid and rigid union. Adjustable shelves attached to the sides by special fixings capable of sustaining stress. MOBeduc complies with TECNALIA Certification (Safety & Quality standards) in the manufacture of nursery and primary furniture. TECNALIA offers a global service to the furniture sector by testing and certifying the behaviour of finished furniture and of each of its components with the following methodology: - Initial inspection of our system of production and control. - Initial test about the type of product. - Surveillance, monitoring and evaluation of the quality system. - Test of raw materials using random samples - Test of finished product using random samples.



E18

E10

E14

E17

E13

E19

Colour of the sides and worktop

Beech (E18)

Colours of the top and shelves

Beech (E18), Cherry red (E10), Lavander blue (E14), Yellow (E17), Apple green (E13), Orange (E19)

Distributed by:

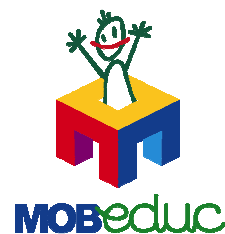


Measures

Length 90 cm. Height 131 cm. Depth 65 cm.

Symbolic game furniture

Kitche Table



www.mobeduc.com



Ref.: 602019

Round table and chair wit 4 legs intertwined, manufactured in melamine MDF 16 mm with rounded edges and painted with non toxic barniz.

Assembly through sleeves with zoom system, ensuring solid and rigid union.

TECNALIA offers a global service to the furniture sector by testing and certifying the behaviour of finished furniture and of each of its components with the following methodology:

- Initial inspection of our system of production and control.
- Initial test about the type of product.
- Surveillance, monitoring and evaluation of the quality system.
- Test of raw materials using random samples
- Test of finished product using random samples.



Colours of worktop

Cherry red (E10), apple green (E13), lavender blue (E14), yellow (E17), beech (E18), orange (E19).

Colours of legs

Cherry red (E10), apple green (E13), lavender blue (E14), yellow (E17), beech (E18), orange (E19).

Distributed by:

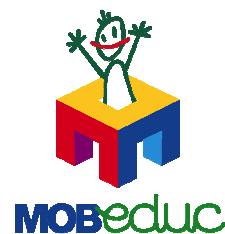


Measures

Diameter 60 cm. – Heigth 55 cm.

Symbolic game furniture

Kitchen chair



www.mobeduc.com



Ref.: 602020

Chair with 4 legs intertwined, manufactured in melamine MDF 16 mm with rounded edges and painted with non-toxic varnish.

Assembly through sleeves with zoom system, ensuring solid and rigid union.

TECNALIA offers a global service to the furniture sector by testing and certifying the behaviour of finished furniture and of each of its components with the following methodology:

- Initial inspection of our system of production and control.
- Initial test about the type of product.
- Surveillance, monitoring and evaluation of the quality system.
- Test of raw materials using random samples
- Test of finished product using random samples.



Colours of seat

Cherry red (E10), apple green (E13), lavender blue (E14), yellow (E17), beech (E18), orange (E19).

Colours of legs

Cherry red (E10), apple green (E13), lavender blue (E14), yellow (E17), beech (E18), orange (E19).

Distributed by:

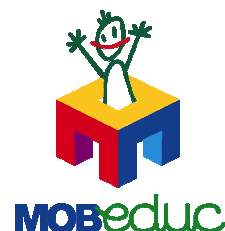


Measures

Diameter 28 cm. – Height 32 cm.

Symbolic game furniture

Dolls bed



www.mobeduc.com



Ref.: 602021

Dolls bed, manufactured in melamine MDF 16 mm with rounded edges and painted with non toxic barniz.

Assembly through sleeves with zoom system, ensuring solid and rigid union.

TECNALIA offers a global service to the furniture sector by testing and certifying the behaviour of finished furniture and of each of its components with the following methodology:

- Initial inspection of our system of production and control.
- Initial test about the type of product.
- Surveillance, monitoring and evaluation of the quality system.
- Test of raw materials using random samples
- Test of finished product using random samples.



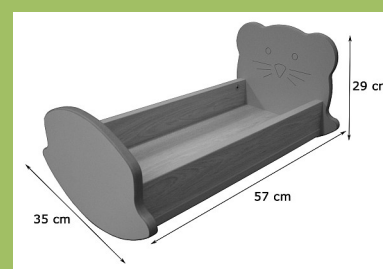
Colours of structure

Beech (E18) and white (E23).

Colours of headboard and footboard

Cherry red (E10), apple green (E13), lavender blue (E14), yellow (E17), beech (E18), orange (E19).

Distributed by:



Measures

Width 35 cm. – Height 29 cm. – Depth 57 cm.

Furniture for audio equipment

8

Un gran diseño para los más pequeños



MOBeduc

FURNITURE FOR AUDIO EQUIPMENT

Piece of furniture for TV and Video (height:134)



www.mobeduc.com



Ref.: 600901

Furniture for TV and Video, Manufactured from 19 mm beech melamine, except rear (10mm), doors (16mm) and 2mm PVC edges, finished for both sides. 8cm Castors with brakes to prevent moisture and to move it easily. Internal doors to prevent finger trapping for maximum safety and door handles are made in a flexible soft polymer to prevent children to be hurt when falling. Rounded edges to prevent cuts or wounds. Our furniture has no sharp edges making it extra safe for children. Assembly through sleeves with zoom system, ensuring solid and rigid union. Adjustable shelves attached to the sides by special fixings capable of sustaining stress. MOBeduc complies with TECNALIA Certification (Safety & Quality standards) in the manufacture of nursery and primary furniture. TECNALIA offers a global service to the furniture sector by testing and certifying the behaviour of finished furniture and of each of its components with the following methodology: - Initial inspection of our system of production and control. - Initial test about the type of product. - Surveillance, monitoring and evaluation of the quality system. - Test of raw materials using random samples. - Test of finished product using random samples.



Colour of the structure

Beech (E18)

Colours of the doors

Pink (E22), Dark blue (E20), Dark green (E21), White (E23), Beech (E18), Cherry red (E10), Lavander blue (E14), Yellow (E17), Apple green (E13), Orange (E19)

Distributed by:



Measures

Length 90 cm. Height 134 cm. Depth 60 cm.

FURNITURE FOR AUDIO EQUIPMENT

Television and video furniture low with blind- height 152 cm



www.mobeduc.com



E18

Colour of the structure

Beech (E18)

Colours of the doors

Beech (E18)

Distributed by:

Ref.: 600910

Television and video furniture low, manufactured from 19 mm beech melamine, except rear (10mm), doors (16mm) and 2mm PVC edges, sliding plastic blind of metallized gray color with lock. Finished for both sides. This furniture has four wheels of 8 cm with brake, made of polypropylene and band of rubber with metallic support. Capacity of load 60 Kg for unit. To avoid the dampness and to move it easily. Internal doors to prevent finger trapping for maximum safety and metal door handles. Rounded edges to prevent cuts or wounds. Our furniture has no sharp edges making it extra safe for children. Assembly through sleeves with zoom system, ensuring solid and rigid union. Adjustable shelves attached to the sides by special fixings capable of sustaining stress. MOBeduc complies with TECNALIA Certification (Safety & Quality standards) in the manufacture of nursery and primary furniture. TECNALIA offers a global service to the furniture sector by testing and certifying the behaviour of finished furniture and of each of its components with the following methodology: - Initial inspection of our system of production and control. - Initial test about the type of product. - Surveillance, monitoring and evaluation of the quality system. - Test of raw materials using random samples - Test of finished product using random samples.



Measures

Length 110 cm. Height 152 cm. Depth 65 cm.

FURNITURE FOR AUDIO EQUIPMENT

Television and video furniture high with blind – height 185 cm



www.mobeduc.com



Ref.: 600911

Television and video furniture high, manufactured from 19 mm beech melamine, except rear (10mm), doors (16mm) and 2mm PVC edges, sliding plastic blind of metallized gray color with lock. Finished for both sides. This furniture has four wheels of 8 cm with brake, made of polypropylene and band of rubber with metallic support. Capacity of load 60 Kg for unit. To avoid the dampness and to move it easily. Internal doors to prevent finger trapping for maximum safety and metal door handles. Rounded edges to prevent cuts or wounds. Our furniture has no sharp edges making it extra safe for children. Assembly through sleeves with zoom system, ensuring solid and rigid union. Adjustable shelves attached to the sides by special fixings capable of sustaining stress. MOBeduc complies with TECNALIA Certification (Safety & Quality standards) in the manufacture of nursery and primary furniture. TECNALIA offers a global service to the furniture sector by testing and certifying the behaviour of finished furniture and of each of its components with the following methodology: - Initial inspection of our system of production and control. - Initial test about the type of product. - Surveillance, monitoring and evaluation of the quality system. - Test of raw materials using random samples - Test of finished product using random samples.



E18

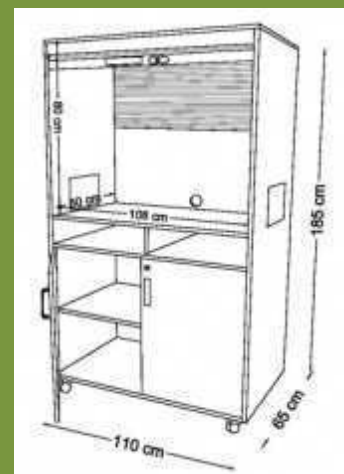
Colour of the structure

Beech (E18)

Colours of the doors

Beech (E18)

Distributed by:



Measures

Length 110 cm. Height 185 cm. Depth 65 cm.

FURNITURE FOR AUDIO EQUIPMENT

Computer table



www.mobeduc.com



Ref.: 600912

Table to play with the computer, manufactured from 19 mm beech melamine and 2mm PVC edges. DM sides of melamine 16 mm thick with rounded edges and painted with nontoxic paints, decorated in its two sides with a nice elephant. Top shelf for the screen at an appropriate distance. Board height adjustment (4 positions) according to European standards: Size 1, height 46 cm (3-4 years). Size 2, height 53 cm (4-6 years). Size 3, height 59 cm (6-8 years). Size 4, height 64 cm (8-10 years). It incorporates two wheels of 6 cm with brake to move it easily. Assembly through sleeves with zoom system, ensuring solid and rigid union. Adjustable shelves attached to the sides by special fixings capable of sustaining stress. MOBeduc complies with TECNALIA Certification (Safety & Quality standards) in the manufacture of nursery and primary furniture. TECNALIA offers a global service to the furniture sector by testing and certifying the behaviour of finished furniture and of each of its components with the following methodology: - Initial inspection of our system of production and control. - Initial test about the type of product. - Surveillance, monitoring and evaluation of the quality system. - Test of raw materials using random samples - Test of finished product using random samples.

E18

E10

E14

E17

E13

E19

Colour of the structure

Beech (E18)

Colours of the end panels

Beech (E18), Cherry red (E10), Lavander blue (E14), Yellow (E17), Apple green (E13), Orange (E19)

Colours of the worktop and shelves

Beech (E18)



Measures

Length 80 cm. Height 80 cm. Depth 75 cm.

Distributed by:

Lockers

9

Un gran diseño para los más pequeños



LOCKERS

Locker for 4 children (Height: 101 cm)



www.mobeduc.com



Ref.: 600601

Set of 2 lockers, each locker with 1 shelf and 2 hooks, manufactured from 19 mm beech melamine, except rear (10 mm), doors (16 mm) and 2 mm PVC edges, finished for both sides. We offer feet in two different heights: 4 cm and 8 cm high. Height adjustable feet are available for uneven floors and surfaces and also feet can be removed from the furniture. Anti finger trap doors and methacrylate box for the picture of each child. Removable furniture with rounded edges to prevent cuts or wounds. Our furniture has no sharp edges making it extra safe for children. Assembly through sleeves with zoon system, ensuring solid and rigid union. Adjustable shelves attached to the sides by special fixing capable of sustaining stress. MOBeduc complies with TECNALIA Certification (Safety & Quality standards) in the manufacture of nursery and primary furniture. TECNALIA offers a global service to the furniture sector by testing and certifying the behaviour of finished furniture and of each of its components with the following methodology: - Initial inspection of our system of production and control. - Initial test about the type of product. - Surveillance, monitoring and evaluation of the quality system. - Test of raw materials using random samples. - Test of finished product using random samples.



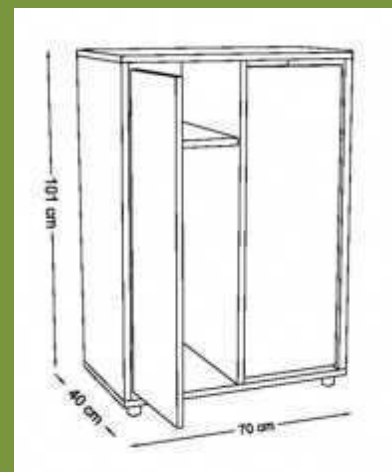
Colour of the structure

Beech (E18)

Colours of the shelves and doors

Pink (E22), Dark blue (E20), Dark green (E21), White (E23), Beech (E18), Cherry red (E10), Lavender blue (E14), Yellow (E17), Apple green (E13), Orange (E19)

Distributed by:



Measures

Length 70 cm. Height 101 cm. Depth 40 cm.

LOCKERS

Locker for 6 children (Height: 101 cm)



www.mobeduc.com



Ref.: 600602

Set of 3 lockers, each locker with 1 shelf and 2 hooks, manufactured from 19 mm beech melamine, except rear (10 mm), doors (16 mm) and 2 mm PVC edges, finished for both sides. We offer feet in two different heights: 4 cm and 8 cm high. Height adjustable feet are available for uneven floors and surfaces and also feet can be removed from the furniture. Anti finger trap doors and methacrylate box for the picture of each child. Removable furniture with rounded edges to prevent cuts or wounds. Our furniture has no sharp edges making it extra safe for children. Assembly through sleeves with zoon system, ensuring solid and rigid union. Adjustable shelves attached to the sides by special fixing capable of sustaining stress. MOBeduc complies with TECNALIA Certification (Safety & Quality standards) in the manufacture of nursery and primary furniture. TECNALIA offers a global service to the furniture sector by testing and certifying the behaviour of finished furniture and of each of its components with the following methodology: - Initial inspection of our system of production and control. - Initial test about the type of product. - Surveillance, monitoring and evaluation of the quality system. - Test of raw materials using random samples. - Test of finished product using random samples.



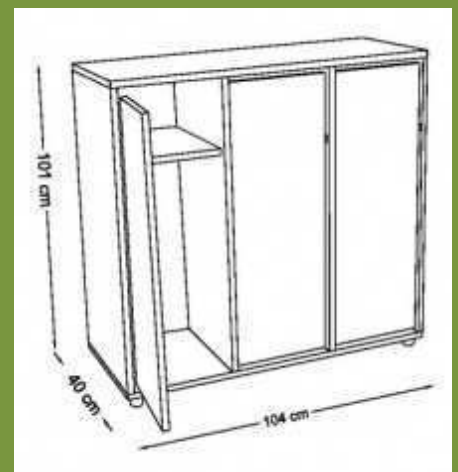
Colour of the structure

Beech (E18)

Colours of the shelves and doors

Pink (E22), Dark blue (E20), Dark green (E21), White (E23), Beech (E18), Cherry red (E10), Lavander blue (E14), Yellow (E17), Apple green (E13), Orange (E19)

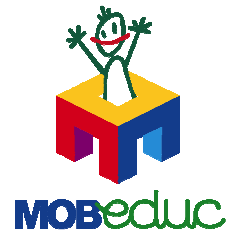
Distributed by:



Measures

Length 104 cm. Height 101 cm. Depth 40 cm.

Locker open 8 children



www.mobeduc.com



Ref.: 600650

Locker open 8 children. Manufactured from 19 mm beech melamine and 2 mm PVC edges, finished for both sides.

Hooks made of polypropylene with rounded corners.

Adjustable feet in height of 4 cm.

Removable furniture with rounded edges to prevent cuts or wounds.

Assembly through sleeves with zoom system, ensuring solid and rigid union.

TECNALIA offers a global service to the furniture sector by testing and certifying the behaviour of finished furniture and of each of its components with the following methodology:

- Initial inspection of our system of production and control.
- Initial test about the type of product.
- Surveillance, monitoring and evaluation of the quality system.
- Test of raw materials using random samples
- Test of finished product using random samples.



E18

E23

Colour of the structure

Beech (E18) and White (E23).

Colour hook



Distributed by:



Measures:

Width 120 cm. – Height 109 cm. – Depth 30 cm.

LOCKERS

Locker (with key) for 2 children - Height 125 cm



www.mobeduc.com



Ref.: 600613

Set of 2 lockers, each locker with 1 shelf and 2 hooks, manufactured from 19 mm beech melamine, except rear (10 mm), doors (16 mm) and 2 mm PVC edges, finished for both sides. We offer feet in two different heights: 4 cm and 8 cm high. Height adjustable feet are available for uneven floors and surfaces. Hooks made of polypropylene with rounded. Internal doors to prevent finger trapping for maximum safety and door handles are made in a flexible soft polymer to prevent children to be hurt when falling. Each door has lock with 2 keys (included). These locks can be opened with master key. Removable furniture with rounded edges to prevent cuts or wounds. Our furniture has no sharp edges making it extra safe for children. Assembly through sleeves with zoon system, ensuring solid and rigid union. Adjustable shelves attached to the sides by special fixing capable of sustaining stress. MOBeduc complies with TECNALIA Certification (Safety & Quality standards) in the manufacture of nursery and primary furniture. TECNALIA offers a global service to the furniture sector by testing and certifying the behaviour of finished furniture and of each of its components with the following methodology: - Initial inspection of our system of production and control. - Initial test about the type of product. - Surveillance, monitoring and evaluation of the quality system. - Test of raw materials using random samples. - Test of finished product using random samples.



Colour of the structure

Beech (E18)

Colours of the shelves and doors

Pink (E22), Dark blue (E20), Dark green (E21), White (E23), Beech (E18), Cherry red (E10), Lavender blue (E14), Yellow (E17), Apple green (E13), Orange (E19)

Distributed by:



Measures

Length 61 cm. Height 125 cm. Depth 40 cm.

LOCKERS

Locker (with key) for 3 children - Height 125 cm



www.mobeduc.com



Ref.: 600614

Set of 3 lockers, each locker with 1 shelf and 2 hooks, manufactured from 19 mm beech melamine, except rear (10 mm), doors (16 mm) and 2 mm PVC edges, finished for both sides. We offer feet in two different heights: 4 cm and 8 cm high. Height adjustable feet are available for uneven floors and surfaces. Hooks made of polypropylene with rounded. Internal doors to prevent finger trapping for maximum safety and door handles are made in a flexible soft polymer to prevent children to be hurt when falling. Each door has lock with 2 keys (included). These locks can be opened with master key. Removable furniture with rounded edges to prevent cuts or wounds. Our furniture has no sharp edges making it extra safe for children. Assembly through sleeves with zoon system, ensuring solid and rigid union. Adjustable shelves attached to the sides by special fixing capable of sustaining stress. MOBeduc complies with TECNALIA Certification (Safety & Quality standards) in the manufacture of nursery and primary furniture. TECNALIA offers a global service to the furniture sector by testing and certifying the behaviour of finished furniture and of each of its components with the following methodology: - Initial inspection of our system of production and control. - Initial test about the type of product. - Surveillance, monitoring and evaluation of the quality system. - Test of raw materials using random samples. - Test of finished product using random samples.



Colour of the structure

Beech (E18)

Colours of the shelves and doors

Pink (E22), Dark blue (E20), Dark green (E21), White (E23), Beech (E18), Cherry red (E10), Lavander blue (E14), Yellow (E17), Apple green (E13), Orange (E19)

Distributed by:



Measures

Length 90 cm. Height 125 cm. Depth 40 cm.

LOCKERS

Locker (with key) for 2 children - Height 147 cm



www.mobeduc.com



Colour of the structure

Beech (E18)

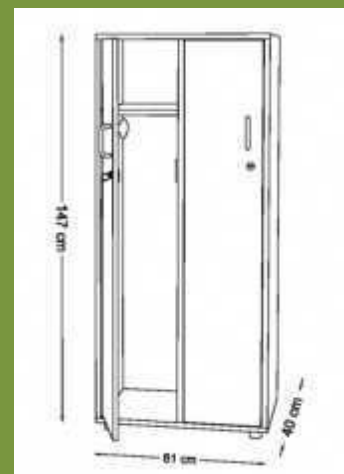
Colours of the shelves and doors

Pink (E22), Dark blue (E20), Dark green (E21), White (E23), Beech (E18), Cherry red (E10), Lavander blue (E14), Yellow (E17), Apple green (E13), Orange (E19)

Distributed by:

Ref.: 600615

Set of 2 lockers, each locker with 1 shelf and 2 hooks, manufactured from 19 mm beech melamine, except rear (10 mm), doors (16 mm) and 2 mm PVC edges, finished for both sides. We offer feet in two different heights: 4 cm and 8 cm high. Height adjustable feet are available for uneven floors and surfaces. Hooks made of polypropylene with rounded. Internal doors to prevent finger trapping for maximum safety and door handles are made in a flexible soft polymer to prevent children to be hurt when falling. Each door has lock with 2 keys (included). These locks can be opened with master key. Removable furniture with rounded edges to prevent cuts or wounds. Our furniture has no sharp edges making it extra safe for children. Assembly through sleeves with zoon system, ensuring solid and rigid union. Adjustable shelves attached to the sides by special fixing capable of sustaining stress. MOBeduc complies with TECNALIA Certification (Safety & Quality standards) in the manufacture of nursery and primary furniture. TECNALIA offers a global service to the furniture sector by testing and certifying the behaviour of finished furniture and of each of its components with the following methodology: - Initial inspection of our system of production and control. - Initial test about the type of product. - Surveillance, monitoring and evaluation of the quality system. - Test of raw materials using random samples. - Test of finished product using random samples.



Measures

Length 61 cm. Height 147 cm. Depth 40 cm.

LOCKERS

Locker (with key) for 3 children - Height 147 cm



www.mobeduc.com



Colour of the structure

Beech (E18)

Colours of the shelves and doors

Pink (E22), Dark blue (E20), Dark green (E21), White (E23), Beech (E18), Cherry red (E10), Lavander blue (E14), Yellow (E17), Apple green (E13), Orange (E19)

Distributed by:

Ref.: 600616

Set of 3 lockers, each locker with 1 shelf and 2 hooks, manufactured from 19 mm beech melamine, except rear (10 mm), doors (16 mm) and 2 mm PVC edges, finished for both sides. We offer feet in two different heights: 4 cm and 8 cm high. Height adjustable feet are available for uneven floors and surfaces. Hooks made of polypropylene with rounded. Internal doors to prevent finger trapping for maximum safety and door handles are made in a flexible soft polymer to prevent children to be hurt when falling. Each door has lock with 2 keys (included). These locks can be opened with master key. Removable furniture with rounded edges to prevent cuts or wounds. Our furniture has no sharp edges making it extra safe for children. Assembly through sleeves with zoon system, ensuring solid and rigid union. Adjustable shelves attached to the sides by special fixing capable of sustaining stress. MOBeduc complies with TECNALIA Certification (Safety & Quality standards) in the manufacture of nursery and primary furniture. TECNALIA offers a global service to the furniture sector by testing and certifying the behaviour of finished furniture and of each of its components with the following methodology: - Initial inspection of our system of production and control. - Initial test about the type of product. - Surveillance, monitoring and evaluation of the quality system. - Test of raw materials using random samples. - Test of finished product using random samples.



Measures

Length 90 cm. Height 147cm. Depth 40 cm.

LOCKERS

Locker (with key) for 1 child - 1 door (Width: 30 cm)



www.mobeduc.com



Colour of the structure

Beech (E18)

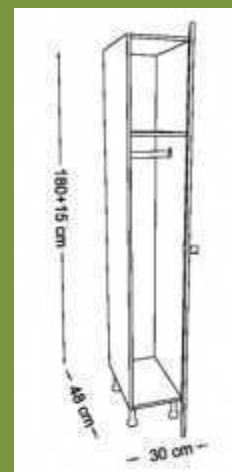
Colours of the doors

Pink (E22), Dark blue (E20), Dark green (E21), White (E23), Beech (E18), Cherry red (E10), Lavander blue (E14), Yellow (E17), Apple green (E13), Orange (E19)

Distributed by:

Ref.: 600628

Locker with 1 door with 2 keys with plastic coating. Interior with shelf and hanger bar for clothes. Manufactured from 16mm beech melamine, except rear (10 mm); doors (16 mm) and 2 mm PVC edges, finished for both sides. Height adjustable 15 cm PVC feet for uneven floors and surfaces. Possibility of combining several modules. Removable furniture with rounded edges to prevent cuts or wounds. For complete safe, this furniture must be screwed to the wall. Assembly through sleeves with zoon system, ensuring solid and rigid union. MOBeduc complies with TECNALIA Certification (Safety & Quality standards) in the manufacture of nursery and primary furniture. TECNALIA offers a global service to the furniture sector by testing and certifying the behaviour of finished furniture and of each of its components with the following methodology: - Initial inspection of our system of production and control. - Initial test about the type of product. - Surveillance, monitoring and evaluation of the quality system. - Test of raw materials using random samples. - Test of finished product using random samples.



Measures

Length 30 cm. Height 180+15 cm. Depth 50 cm.

LOCKERS

Locker (with key) for 2 child - 2 door (Width: 30 cm)



www.mobeduc.com



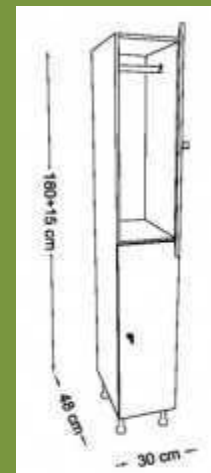
Colour of the structure

Beech (E18)

Colours of the doors

Pink (E22), Dark blue (E20), Dark green (E21), White (E23), Beech (E18), Cherry red (E10), Lavander blue (E14), Yellow (E17), Apple green (E13), Orange (E19)

Distributed by:



Measures

Length 30 cm. Height 180+15 cm. Depth 50 cm.

Ref.: 600629

Locker with 2 door with 2 keys with plastic coating. Interior with hanger bar for clothes. Manufactured from 16mm beech melamine, except rear (10 mm); doors (16 mm) and 2 mm PVC edges, finished for both sides. Height adjustable 15 cm PVC feet for uneven floors and surfaces. Possibility of combining several modules. Removable furniture with rounded edges to prevent cuts or wounds. For complete safe, this furniture must be screwed to the wall. Assembly through sleeves with zoon system, ensuring solid and rigid union. MOBeduc complies with TECNALIA Certification (Safety & Quality standards) in the manufacture of nursery and primary furniture. TECNALIA offers a global service to the furniture sector by testing and certifying the behaviour of finished furniture and of each of its components with the following methodology: - Initial inspection of our system of production and control. - Initial test about the type of product. - Surveillance, monitoring and evaluation of the quality system. - Test of raw materials using random samples. - Test of finished product using random samples.

LOCKERS

Locker (with key) for 3 child - 3 door (Width: 30 cm)



www.mobeduc.com



Colour of the structure

Beech (E18)

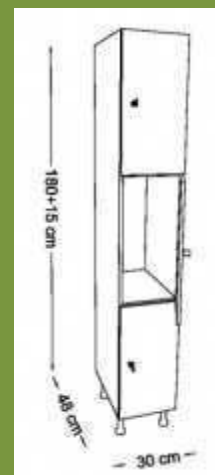
Colours of the doors

Pink (E22), Dark blue (E20), Dark green (E21), White (E23), Beech (E18), Cherry red (E10), Lavander blue (E14), Yellow (E17), Apple green (E13), Orange (E19)

Distributed by:

Ref.: 600630

Locker with 3 door with 2 keys with plastic coating. Manufactured from 16mm beech melamine, except rear (10 mm); doors (16 mm) and 2 mm PVC edges, finished for both sides. Height adjustable 15 cm PVC feet for uneven floors and surfaces. Possibility of combining several modules. Removable furniture with rounded edges to prevent cuts or wounds. For complete safe, this furniture must be screwed to the wall. Assembly through sleeves with zoon system, ensuring solid and rigid union. MOBeduc complies with TECNALIA Certification (Safety & Quality standards) in the manufacture of nursery and primary furniture. TECNALIA offers a global service to the furniture sector by testing and certifying the behaviour of finished furniture and of each of its components with the following methodology: - Initial inspection of our system of production and control. - Initial test about the type of product. - Surveillance, monitoring and evaluation of the quality system. - Test of raw materials using random samples. - Test of finished product using random samples.



Measures

Length 30 cm. Height 180+15 cm. Depth 50 cm.

LOCKERS

Locker (with key) for 4 child - 4 door (Width: 30 cm)



www.mobeduc.com



Colour of the structure

Beech (E18)

Colours of the doors

Pink (E22), Dark blue (E20), Dark green (E21), White (E23), Beech (E18), Cherry red (E10), Lavander blue (E14), Yellow (E17), Apple green (E13), Orange (E19)

Distributed by:

Ref.: 600631

Locker with 4 door with 2 keys with plastic coating. Manufactured from 16mm beech melamine, except rear (10 mm); doors (16 mm) and 2 mm PVC edges, finished for both sides. Height adjustable 15 cm PVC feet for uneven floors and surfaces. Possibility of combining several modules. Removable furniture with rounded edges to prevent cuts or wounds. For complete safe, this furniture must be screwed to the wall. Assembly through sleeves with zoon system, ensuring solid and rigid union. MOBeduc complies with TECNALIA Certification (Safety & Quality standards) in the manufacture of nursery and primary furniture. TECNALIA offers a global service to the furniture sector by testing and certifying the behaviour of finished furniture and of each of its components with the following methodology: - Initial inspection of our system of production and control. - Initial test about the type of product. - Surveillance, monitoring and evaluation of the quality system. - Test of raw materials using random samples. - Test of finished product using random samples.



Measures

Length 30 cm. Height 180+15 cm. Depth 50 cm.

LOCKERS

Locker (with key) for 1 child - 1 door (Width: 40 cm)



www.mobeduc.com



Colour of the structure

Beech (E18)

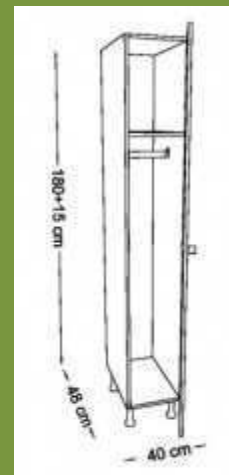
Colours of the doors

Pink (E22), Dark blue (E20), Dark green (E21), White (E23), Beech (E18), Cherry red (E10), Lavander blue (E14), Yellow (E17), Apple green (E13), Orange (E19)

Distributed by:

Ref.: 600632

Locker with 1 door with 2 keys with plastic coating. Interior with shelf and hanger bar for clothes. Manufactured from 16mm beech melamine, except rear (10 mm); doors (16 mm) and 2 mm PVC edges, finished for both sides. Height adjustable 15 cm PVC feet for uneven floors and surfaces. Possibility of combining several modules. Removable furniture with rounded edges to prevent cuts or wounds. For complete safe, this furniture must be screwed to the wall. Assembly through sleeves with zoon system, ensuring solid and rigid union. MOBeduc complies with TECNALIA Certification (Safety & Quality standards) in the manufacture of nursery and primary furniture. TECNALIA offers a global service to the furniture sector by testing and certifying the behaviour of finished furniture and of each of its components with the following methodology: - Initial inspection of our system of production and control. - Initial test about the type of product. - Surveillance, monitoring and evaluation of the quality system. - Test of raw materials using random samples. - Test of finished product using random samples.



Measures

Length 40 cm. Height 180+15 cm. Depth 50 cm.

LOCKERS

Locker (with key) for 2 child - 2 door (Width: 40 cm)



www.mobeduc.com



Colour of the structure

Beech (E18)

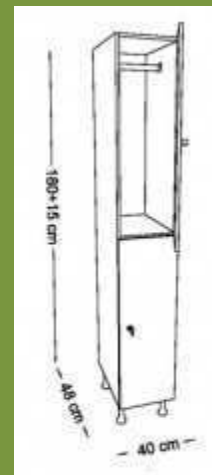
Colours of the doors

Pink (E22), Dark blue (E20), Dark green (E21), White (E23), Beech (E18), Cherry red (E10), Lavander blue (E14), Yellow (E17), Apple green (E13), Orange (E19)

Distributed by:

Ref.: 600633

Locker with 2 door with 2 keys with plastic coating. Interior with hanger bar for clothes. Manufactured from 16mm beech melamine, except rear (10 mm); doors (16 mm) and 2 mm PVC edges, finished for both sides. Height adjustable 15 cm PVC feet for uneven floors and surfaces. Possibility of combining several modules. Removable furniture with rounded edges to prevent cuts or wounds. For complete safe, this furniture must be screwed to the wall. Assembly through sleeves with zoon system, ensuring solid and rigid union. MOBeduc complies with TECNALIA Certification (Safety & Quality standards) in the manufacture of nursery and primary furniture. TECNALIA offers a global service to the furniture sector by testing and certifying the behaviour of finished furniture and of each of its components with the following methodology: - Initial inspection of our system of production and control. - Initial test about the type of product. - Surveillance, monitoring and evaluation of the quality system. - Test of raw materials using random samples. - Test of finished product using random samples.



Measures

Length 40 cm. Height 180+15 cm. Depth 50 cm.

LOCKERS

Locker (with key) for 3 child - 3 door (Width: 40 cm)



www.mobeduc.com



Colour of the structure

Beech (E18)

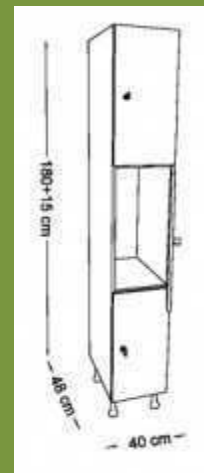
Colours of the doors

Pink (E22), Dark blue (E20), Dark green (E21), White (E23), Beech (E18), Cherry red (E10), Lavander blue (E14), Yellow (E17), Apple green (E13), Orange (E19)

Distributed by:

Ref.: 600634

Locker with 3 door with 2 keys with plastic coating. Manufactured from 16mm beech melamine, except rear (10 mm); doors (16 mm) and 2 mm PVC edges, finished for both sides. Height adjustable 15 cm PVC feet for uneven floors and surfaces. Possibility of combining several modules. Removable furniture with rounded edges to prevent cuts or wounds. For complete safe, this furniture must be screwed to the wall. Assembly through sleeves with zoon system, ensuring solid and rigid union. MOBeduc complies with TECNALIA Certification (Safety & Quality standards) in the manufacture of nursery and primary furniture. TECNALIA offers a global service to the furniture sector by testing and certifying the behaviour of finished furniture and of each of its components with the following methodology: - Initial inspection of our system of production and control. - Initial test about the type of product. - Surveillance, monitoring and evaluation of the quality system. - Test of raw materials using random samples. - Test of finished product using random samples.



Measures

Length 40 cm. Height 180+15 cm. Depth 50 cm.

LOCKERS

Locker (with key) for 4 child - 4 door (Width: 40 cm)



www.mobeduc.com



Colour of the structure

Beech (E18)

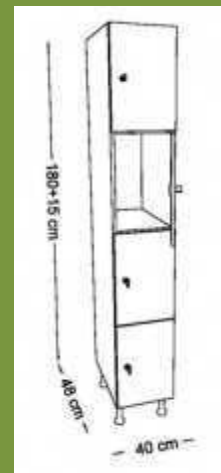
Colours of the doors

Pink (E22), Dark blue (E20), Dark green (E21), White (E23), Beech (E18), Cherry red (E10), Lavander blue (E14), Yellow (E17), Apple green (E13), Orange (E19)

Distributed by:

Ref.: 600635

Locker with 4 door with 2 keys with plastic coating. Manufactured from 16mm beech melamine, except rear (10 mm); doors (16 mm) and 2 mm PVC edges, finished for both sides. Height adjustable 15 cm PVC feet for uneven floors and surfaces. Possibility of combining several modules. Removable furniture with rounded edges to prevent cuts or wounds. For complete safe, this furniture must be screwed to the wall. Assembly through sleeves with zoon system, ensuring solid and rigid union. MOBeduc complies with TECNALIA Certification (Safety & Quality standards) in the manufacture of nursery and primary furniture. TECNALIA offers a global service to the furniture sector by testing and certifying the behaviour of finished furniture and of each of its components with the following methodology: - Initial inspection of our system of production and control. - Initial test about the type of product. - Surveillance, monitoring and evaluation of the quality system. - Test of raw materials using random samples. - Test of finished product using random samples.



Measures

Length 40 cm. Height 180+15 cm. Depth 50 cm.

LOCKERS

Clothes Tidy Rail - Wardrobe with 3 lockers (up)



www.mobeduc.com



Ref.: 600636

Clothes tidy rail - wardrobe with three top lockers for storing personal belongings and two shoes storage racks. These shoes racks could be used as seats. Manufactured from 19 mm beech melamine, except rear (10 mm), doors (16 mm) and 2 mm PVC edges, finished for both sides. We offer feet in two different heights: 4 cm and 8 cm high. Height adjustable feet are available for uneven floors and surfaces. Internal doors to prevent finger trapping for maximum safety and door handles are made in a flexible soft polymer to prevent children to be hurt when falling. Removable furniture with rounded edges to prevent cuts or wounds. Our furniture has no sharp edges making it extra safe for children. Assembly through sleeves with zoon system, ensuring solid and rigid union. Adjustable shelves attached to the sides by special fixing capable of sustaining stress. For complete safe, this furniture must be screwed to the wall.

MOBeduc complies with TECNALIA Certification (Safety & Quality standards) in the manufacture of nursery and primary furniture. TECNALIA offers a global service to the furniture sector by testing and certifying the behaviour of finished furniture and of each of its components with the following methodology: - Initial inspection of our system of production and control. - Initial test about the type of product. - Surveillance, monitoring and evaluation of the quality system. - Test of raw materials using random samples - Test of finished product using random samples.



Colour of the structure

Beech (E18)

Colours of the doors

Pink (E22), Dark blue (E20), Dark green (E21), White (E23), Beech (E18), Cherry red (E10), Lavander blue (E14), Yellow (E17), Apple green (E13), Orange (E19)

Distributed by:



Measures

Length 105 cm. Height 180 cm. Depth 40 cm.

Furniture for library 10

Un gran diseño para los más pequeños



FURNITURE FOR LIBRARY

Book trolley "Tower"



www.mobeduc.com



Ref.: 602101

Tower with four sides. Every side has shelves for storing books and a display area to show book. Manufactured from 19 mm beech melamine and 2 mm PVC edges and DM sides of melamine 16 mm thick with rounded edges and painted with nontoxic paints. It has swivel castors (6 cm) with brakes to move it easily. Removable furniture with rounded edges to prevent cuts or wounds. Our furniture has no sharp edges making it extra safe for children. Assembly through sleeves with zoom system, ensuring solid and rigid union. Adjustable shelves attached to the sides by special fixings capable of sustaining stress. MOBeduc complies with TECNALIA Certification (Safety & Quality standards) in the manufacture of nursery and primary furniture. TECNALIA offers a global service to the furniture sector by testing and certifying the behaviour of finished furniture and of each of its components with the following methodology: - Initial inspection of our system of production and control. - Initial test about the type of product. - Surveillance, monitoring and evaluation of the quality system. - Test of raw materials using random samples - Test of finished product using random samples.



Colour of the structure

Beech (E18)

Color of the front (books and shelves)

Beech (E18), Cherry red (E10), Lavander blue (E14), Yellow (E17), Apple green (E13), Orange (E19)

Distributed by:



Measures

Length 57 cm. Height 119 cm. Depth 57 cm.

FURNITURE FOR LIBRARY

Book trolley “Oval Sides”



www.mobeduc.com



Ref.: 602102

Doble sided book trolley. One side to show books. There is a tube bar to prevent books from falling out of the trolley. On the other side, there are shelves and trays where you can store books and games. Manufactured from 19 mm beech melamine and 2mm PVC edges and DM sides of melamine 16 mm thick with rounded edges and painted with nontoxic paints. It has swivel castors (6 cm) with brakes to move it easily. Removable furniture with rounded edges to prevent cuts or wounds. Assembly through sleeves with zoom system, ensuring solid and rigid union. Adjustable shelves attached to the sides by special fixings capable of sustaining stress. MOBeduc complies with TECNALIA Certification (Safety & Quality standards) in the manufacture of nursery and primary furniture. TECNALIA offers a global service to the furniture sector by testing and certifying the behaviour of finished furniture and of each of its components with the following methodology: - Initial inspection of our system of production and control. - Initial test about the type of product. - Surveillance, monitoring and evaluation of the quality system. - Test of raw materials using random samples - Test of finished product using random samples.



E18

E10

E14

E17

E13

E19

Colour of the structure

Beech (E18)

Colours of the end panels and dividers

Beech (E18), Cherry red (E10), Lavander blue (E14), Yellow (E17), Apple green (E13), Orange (E19)

Distributed by:



Measures

Length 103 cm. Height 120 cm. Depth 60 cm.

FURNITURE FOR LIBRARY

Book Trolley “Cube”



www.mobeduc.com



Ref.: 602103

A Cube to store and to organize all kinds of books. Manufactured from 19 mm beech melamine and 2mm PVC edges. It has swivel castors (6 cm) with brakes to move it easily. Removable furniture with rounded edges to prevent cuts or wounds. Assembly through sleeves with zoom system, ensuring solid and rigid union. Adjustable shelves attached to the the sides by special fixings capable of sustaining stress. MOBeduc complies with TECNALIA Certification (Safety & Quality standards) in the manufacture of nursery and primary furniture. TECNALIA offers a global service to the furniture sector by testing and certifying the behaviour of finished furniture and of each of its components with the following methodology: - Initial inspection of our system of production and control. - Initial test about the type of product. - Surveillance, monitoring and evaluation of the quality system. - Test of raw materials using random samples - Test of finished product using random samples.

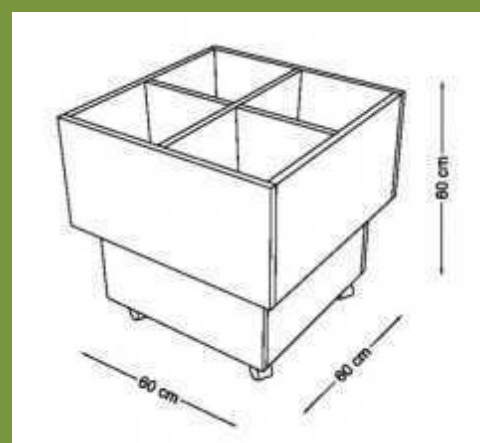


Colour of the structure

Beech (E18)

Colours of the top

Pink (E22), Dark blue (E20), Dark green (E21), White (E23), Beech (E18), Cherry red (E10), Lavander blue (E14), Yellow (E17), Apple green (E13), Orange (E19)



Measures

Length 60 cm. Height 60 cm. Depth 60 cm.

Distributed by:

FURNITURE FOR LIBRARY

Book trolley (double side) for displaying books



www.mobeduc.com



Ref.: 600902

Book trolley manufactured from 19 mm beech melamine, rear and doors (16mm), and with 2mm PVC edges. DM sides of melamine 16 mm thick with rounded edges and painted with nontoxic paints. It has swivel castors (6 cm) with brakes to move it easily. It has two sides, one of them to show books exhibitor and the other one has a cupboard and a shelf. Internal doors to prevent finger trapping for maximum safety and door handles are made in a flexible soft polymer to prevent children to be hurt when falling. Removable furniture with rounded edges to prevent cuts or wounds. Assembly through sleeves with zoom system, ensuring solid and rigid union. Adjustable shelves attached to the sides by special fixings capable of sustaining stress. MOBeduc complies with TECNALIA Certification (Safety & Quality standards) in the manufacture of nursery and primary furniture. TECNALIA offers a global service to the furniture sector by testing and certifying the behaviour of finished furniture and of each of its components with the following methodology: - Initial inspection of our system of production and control. - Initial test about the type of product. - Surveillance, monitoring and evaluation of the quality system. - Test of raw materials using random samples - Test of finished product using random samples.



Colour of the structure

Beech (E18)

Colours of the end panel and doors

Beech (E18), Cherry red (E10), Lavander blue (E14), Yellow (E17), Apple green (E13), Orange (E19)

Distributed by:



Measures

Length 90 cm. Height 96 cm. Depth 53 cm.

FURNITURE FOR LIBRARY

Double sided book trolley for storing books



www.mobeduc.com



Ref.: 600903

Double sided book trolley with three different levels of storage in each side. Manufactured from 19 mm beech melamine and 2mm PVC edges, finished for both sides. It has swivel castors (6 cm) with brakes to move it easily. Removable furniture with rounded edges to prevent cuts or wounds. Assembly through sleeves with zoom system, ensuring solid and rigid union. Adjustable shelves attached to the sides by special fixings capable of sustaining stress. MOBeduc complies with TECNALIA Certification (Safety & Quality standards) in the manufacture of nursery and primary furniture. TECNALIA offers a global service to the furniture sector by testing and certifying the behaviour of finished furniture and of each of its components with the following methodology: - Initial inspection of our system of production and control. - Initial test about the type of product. - Surveillance, monitoring and evaluation of the quality system. - Test of raw materials using random samples - Test of finished product using random samples.



Colour of the structure

Beech (E18)

Colours of dividers

Pink (E22), Dark blue (E20), Dark green (E21), White (E23), Beech (E18), Cherry red (E10), Lavender blue (E14), Yellow (E17), Apple green (E13), Orange (E19)

Distributed by:



Measures
Length 90 cm. Height 79 cm. Depth 50 cm.

FURNITURE FOR LIBRARY

High bookcase trolley



www.mobeduc.com



Ref.: 600904

Piece of Furniture with 6 compartments for storing items, and a free space at the bottom. Manufactured from 19 mm beech melamine, with dividers of 16 mm and 2mm PVC edges, finished for both sides. It has swivel castors (6 cm) with brakes to move it easily. Removable furniture with rounded edges to prevent cuts or wounds. Assembly through sleeves with zoom system, ensuring solid and rigid union. Adjustable shelves attached to the the sides by special fixings capable of sustaining stress. MOBeduc complies with TECNALIA Certification (Safety & Quality standards) in the manufacture of nursery and primary furniture. TECNALIA offers a global service to the furniture sector by testing and certifying the behaviour of finished furniture and of each of its components with the following methodology: - Initial inspection of our system of production and control. - Initial test about the type of product. - Surveillance, monitoring and evaluation of the quality system. - Test of raw materials using random samples - Test of finished product using random samples.



Colour of the structure

Beech (E18)

Colours of the front

Pink (E22), Dark blue (E20), Dark green (E21), White (E23), Beech (E18), Cherry red (E10), Lavander blue (E14), Yellow (E17), Apple green (E13), Orange (E19)

Distributed by:



Measures

Length 80 cm. Height 58 cm. Depth 40 cm.

FURNITURE FOR LIBRARY

Low bookcase trolley



www.mobeduc.com



Ref.: 600905

Piece of Furniture with 6 compartments for storing items. Manufactured from 19 mm beech melamine, with dividers of 16 mm and 2mm PVC edges, finished for both sides. It has swivel castors (6 cm) with brakes to move it easily. Removable furniture with rounded edges to prevent cuts or wounds. Assembly through sleeves with zoom system, ensuring solid and rigid union. Adjustable shelves attached to the the sides by special fixings capable of sustaining stress. MOBeduc complies with TECNALIA Certification (Safety & Quality standards) in the manufacture of nursery and primary furniture. TECNALIA offers a global service to the furniture sector by testing and certifying the behaviour of finished furniture and of each of its components with the following methodology: - Initial inspection of our system of production and control. - Initial test about the type of product. - Surveillance, monitoring and evaluation of the quality system. - Test of raw materials using random samples - Test of finished product using random samples.



Colour of the structure

Beech (E18)

Colours of the front

Pink (E22), Dark blue (E20), Dark green (E21), White (E23), Beech (E18), Cherry red (E10), Lavander blue (E14), Yellow (E17), Apple green (E13), Orange (E19)



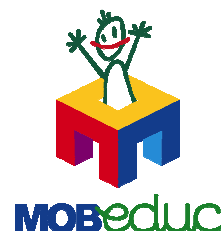
Measures

Length 80 cm. Height 27 cm. Depth 40 cm.

Distributed by:

Furniture for library

High boockase trolley, double side



www.mobeduc.com



Ref.: 602111

High boockase trolley, double side. Manufactured from 19 mm beech melamine and 2 mm PVC edges, finished for both sides. It has swivel castors (6 cm) with brakes to move it easily.

Removable furniture with rounded edges to prevent cuts or wounds.

Assembly through sleeves with zoom system, ensuring solid and rigid union. Adjustable shelves attached to the sides by special fixings capable of sustaining stress.

MOBeduc complies with TECNALIA Certification (Safety & Quality standards) in the manufacture of nursery and primary furniture.

TECNALIA offers a global service to the furniture sector by testing and certifying the behaviour of finished furniture and of each of its components with the following methodology:

- Initial inspection of our system of production and control.
- Initial test about the type of product.
- Surveillance, monitoring and evaluation of the quality system.
- Test of raw materials using random samples
- Test of finished product using random samples.



Colour of structure

Beech (E18) and white (E23).

Colour of the fronts

Cherry red (E10), apple green (E13), lavender blue (E14), yellow (E17), beech (E18), orange (E19), dark blue (E20), dark green (E21), pink (E22) and white (E23).

Distributed by:



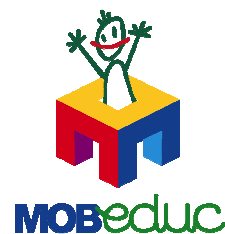
Measures

Width 80 cm. – Heigth 64 cm. – Depth 60 cm.

Furniture for library

Library furniture

ELEPHANT



www.mobeduc.com



Ref.: 602114



Exhibitor of books, manufactured from 19 mm beech melamine and 2 mm PVC edges, finished for both sides. Sides in melamine MDF 16 mm with rounded edges and painted with non toxic varnish. Removable furniture with rounded edges to prevent cuts or wounds.

Assembly through sleeves with zoom system, ensuring solid and rigid union. Adjustable shelves attached to the sides by special fixings capable of sustaining stress.

MOBeduc complies with TECNALIA Certification (Safety & Quality standards) in the manufacture of nursery and primary furniture.

TECNALIA offers a global service to the furniture sector by testing and certifying the behaviour of finished furniture and of each of its components with the following methodology:

- Initial inspection of our system of production and control.
- Initial test about the type of product.
- Surveillance, monitoring and evaluation of the quality system.
- Test of raw materials using random samples
- Test of finished product using random samples.



Colour of the structure

Beech (E18), White (E23).

Colour of the side

Cherry red (E10), Apple Green (E13), lavender blue (E14), yellow (E17), beech (E18), orange (E19).

Distributed by:

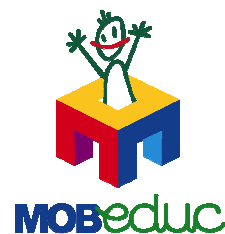


Measures:

Width 64 cm. – Height 94 cm. – Depth 55 cm.

Furniture for library

Bench for 2 children



www.mobeduc.com



Ref.: 602104

Bench for 2 children with 2 compartments, manufactured from 19 mm beech melamine, and 2mm PVC edges, finished for both sides. Decorated in its both sides of DM sides of melamine 16 mm thick with rounded edges and painted with nontoxic paints.

Height of the seat: Size 1 (26 cm)
Removable furniture with rounded edges to prevent cuts or wounds.

Assembly through sleeves with zoom system, ensuring solid and rigid union.

MOBeduc complies with TECNALIA Certification (Safety & Quality standards) in the manufacture of nursery and primary furniture.

TECNALIA offers a global service to the furniture sector by testing and certifying the behaviour of finished furniture and of each of its components with the following methodology:

- Initial inspection of our system of production and control.
- Initial test about the type of product.
- Surveillance, monitoring and evaluation of the quality system.
- Test of raw materials using random samples
- Test of finished product using random samples.



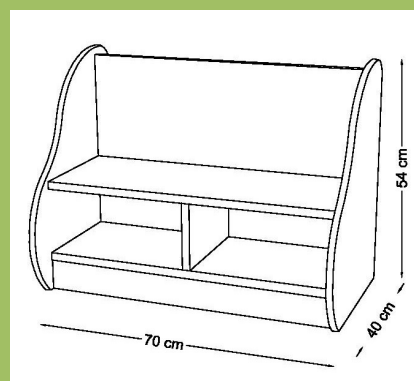
Colour of structure

Beech (E18) and white (E23).

Colour of the shelves

Cherry red (E10), apple green (E13), lavender blue (E14), yellow (E17), beech (E18), orange (E19).

Distributed by:

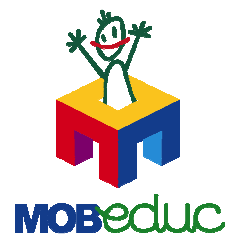


Measures

Width 70 cm. – Height 54 cm. – Depth 40 cm.

Furniture for library

Bench for 4 children



www.mobeduc.com



Ref.: 602105

Bench for 4 children with 4 compartments, manufactured from 19 mm beech melamine, and 2mm PVC edges, finished for both sides. Decorated in its both sides of DM sides of melamine 16 mm thick with rounded edges and painted with nontoxic paints.

Height of the seat: Size 1 (26 cm)
Removable furniture with rounded edges to prevent cuts or wounds.

Assembly through sleeves with zoom system, ensuring solid and rigid union.

MOBeduc complies with TECNALIA Certification (Safety & Quality standards) in the manufacture of nursery and primary furniture.

TECNALIA offers a global service to the furniture sector by testing and certifying the behaviour of finished furniture and of each of its components with the following methodology:

- Initial inspection of our system of production and control.
- Initial test about the type of product.
- Surveillance, monitoring and evaluation of the quality system.
- Test of raw materials using random samples
- Test of finished product using random samples.



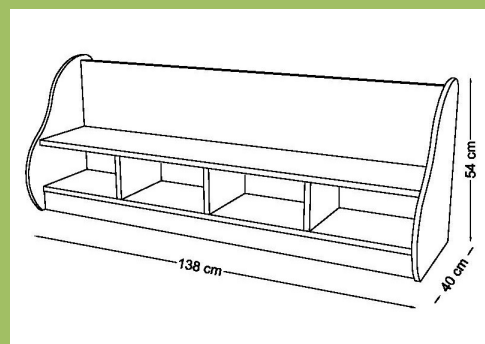
Colour of structure

Beech (E18) and white (E23).

Colour of the shelves

Cherry red (E10), apple green (E13), lavender blue (E14), yellow (E17), beech (E18), orange (E19).

Distributed by:

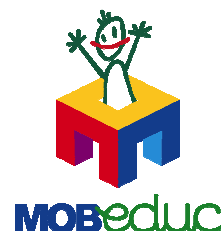


Measures

Width 138 cm. – Height 54 cm. – Depth 40 cm.

Furniture for library

Double sided bench for 4 children



www.mobeduc.com



Ref.: 602106

Double sided bench for 4 children with 4 compartments, manufactured from 19 mm beech melamine, and 2mm PVC edges, finished for both sides. Decorated in its both sides of DM sides of melamine 16 mm thick with rounded edges and painted with nontoxic paints.

Height of the seat: Size 1 (26 cm)

Removable furniture with rounded edges to prevent cuts or wounds.

Assembly through sleeves with zoom system, ensuring solid and rigid union.

MOBeduc complies with TECNALIA Certification (Safety & Quality standards) in the manufacture of nursery and primary furniture.

TECNALIA offers a global service to the furniture sector by testing and certifying the behaviour of finished furniture and of each of its components with the following methodology:

- Initial inspection of our system of production and control.
- Initial test about the type of product.
- Surveillance, monitoring and evaluation of the quality system.
- Test of raw materials using random samples
- Test of finished product using random samples.



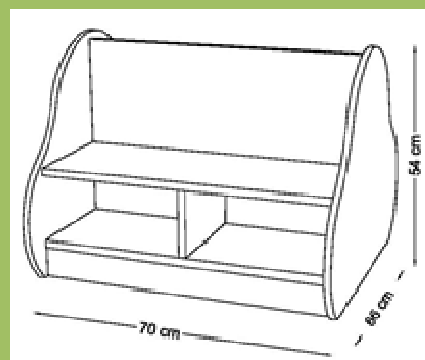
Colour of structure

Beech (E18) and white (E23).

Colour of the shelves

Cherry red (E10), apple green (E13), lavender blue (E14), yellow (E17), beech (E18), orange (E19).

Distributed by:

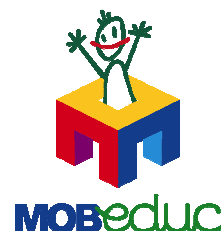


Measures

Width 70 cm. – Height 54 cm. – Depth 66 cm.

Furniture for library

Double sided bench for 4 children



www.mobeduc.com



Ref.: 602107

Double sided bench for 4 children with 4 compartments, manufactured from 19 mm beech melamine, and 2mm PVC edges, finished for both sides. Decorated in its both sides of DM sides of melamine 16 mm thick with rounded edges and painted with nontoxic paints.

Height of the seat: Size 1 (26 cm)

Removable furniture with rounded edges to prevent cuts or wounds.

Assembly through sleeves with zoom system, ensuring solid and rigid union.

MOBeduc complies with TECNALIA Certification (Safety & Quality standards) in the manufacture of nursery and primary furniture.

TECNALIA offers a global service to the furniture sector by testing and certifying the behaviour of finished furniture and of each of its components with the following methodology:

- Initial inspection of our system of production and control.
- Initial test about the type of product.
- Surveillance, monitoring and evaluation of the quality system.
- Test of raw materials using random samples
- Test of finished product using random samples.



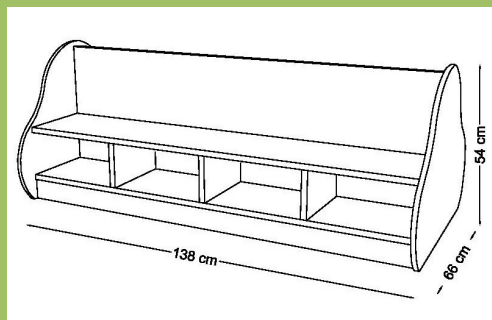
Colour of structure

Beech (E18) and white (E23).

Colour of the shelves

Cherry red (E10), apple green (E13), lavender blue (E14), yellow (E17), beech (E18), orange (E19).

Distributed by:

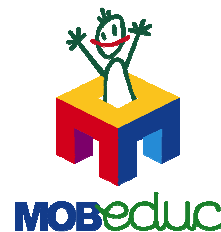


Measures

Width 138 cm. – Height 54 cm. – Depth 66 cm.

Classroom furniture

Doble sided bench for 4 children + bookcase



www.mobeduc.com



Ref.: 602108

Double Sided bench for 4 children with 8 compartments and with a central area between backups for storage of books. Manufactured from 19 mm beech melamine, and 2mm PVC edges, finished for both sides. Decorated in its both sides of DM sides of melamine 16 mm thick with rounded edges and painted with nontoxic paints.

Height of the seat: Size 1 (26 cm)

Removable furniture with rounded edges to prevent cuts or wounds.

Assembly through sleeves with zoom system, ensuring solid and rigid union.

MOBeduc complies with TECNALIA Certification (Safety & Quality standards) in the manufacture of nursery and primary furniture.

TECNALIA offers a global service to the furniture sector by testing and certifying the behaviour of finished furniture and of each of its components with the following methodology:

- Initial inspection of our system of production and control.
- Initial test about the type of product.
- Surveillance, monitoring and evaluation of the quality system.
- Test of raw materials using random samples
- Test of finished product using random samples.



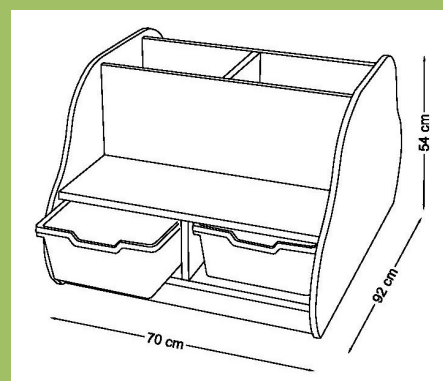
Colour of structure

Beech (E18) and white (E23).

Colour of the sides

Cherry red (E10), apple green (E13), lavender blue (E14), yellow (E17), beech (E18), orange (E19).

Distributed by:

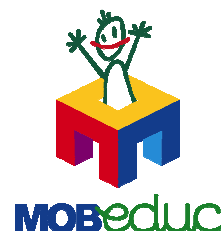


Measures

Width 70 cm. – Height 54 cm. – Depth 92 cm.

Classroom furniture

Doble sided bench for 8 children + bookcase



www.mobeduc.com



Ref.: 602109

Double Sided bench for 8 children with 8 compartments and with a central area between backups for storage of books. Manufactured from 19 mm beech melamine, and 2mm PVC edges, finished for both sides. Decorated in its both sides of DM sides of melamine 16 mm thick with rounded edges and painted with nontoxic paints.
Height of the seat: Size 1 (26 cm)

Removable furniture with rounded edges to prevent cuts or wounds.

Assembly through sleeves with zoom system, ensuring solid and rigid union.

MOBeduc complies with TECNALIA Certification (Safety & Quality standards) in the manufacture of nursery and primary furniture.

TECNALIA offers a global service to the furniture sector by testing and certifying the behaviour of finished furniture and of each of its components with the following methodology:

- Initial inspection of our system of production and control.
- Initial test about the type of product.
- Surveillance, monitoring and evaluation of the quality system.
- Test of raw materials using random samples
- Test of finished product using random samples.



E10

E13

E14

E17

E18

E19

E23

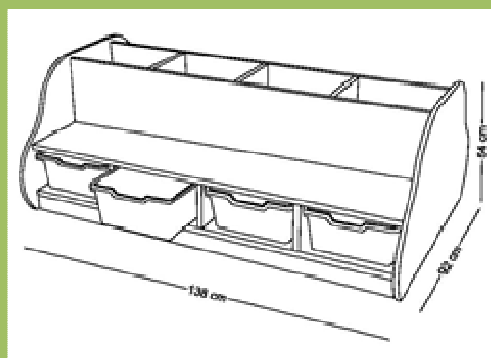
Colour of structure

Beech (E18) and white (E23).

Colour of the sides

Cherry red (E10), apple green (E13), lavender blue (E14), yellow (E17), beech (E18), orange (E19).

Distributed by:



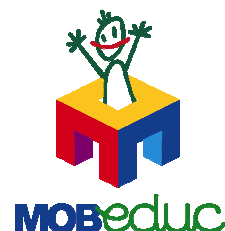
Measures

Width 138 cm. – Height 54 cm. – Depth 92 cm.

Furniture for library

Individual armchair

LION



www.mobeduc.com



Ref.: 602112

Benc, manufactured from 19 mm beech melamine and 2 mm PVC edges, finished for both sides.

Sides in melamine MDF 16 mm with rounded edges and painted with non toxic varnish.

Removable furniture with rounded edges to prevent cuts or wounds.

Assembly through sleeves with zoom system, ensuring solid and rigid union. Adjustable shelves attached to the sides by special fixings capable of sustaining stress.

MOBeduc complies with TECNALIA Certification (Safety & Quality standards) in the manufacture of nursery and primary furniture.

TECNALIA offers a global service to the furniture sector by testing and certifying the behaviour of finished furniture and of each of its components with the following methodology:

- Initial inspection of our system of production and control.
- Initial test about the type of product.
- Surveillance, monitoring and evaluation of the quality system.
- Test of raw materials using random samples
- Test of finished product using random samples.



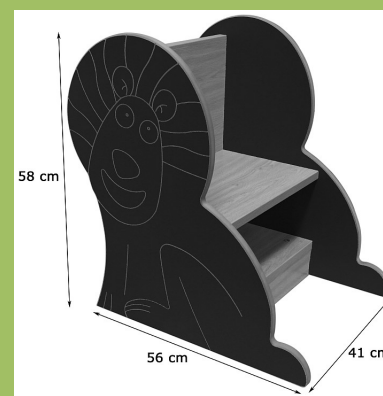
Colour of the structure

Beech (E18), White (E23).

Colour of the side

Cherry red (E10), Apple Green (E13), lavender blue (E14), yellow (E17), beech (E18), orange (E19).

Distributed by:



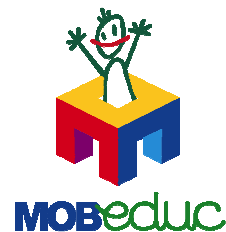
Measures:

Width 41 cm. – Height 58 cm. – Depth 56 cm.

Furniture for library

Individual armchair

LION



www.mobeduc.com



Ref.: 602113

Benc, manufactured from 19 mm beech melamine and 2 mm PVC edges, finished for both sides.

Sides in melamine MDF 16 mm with rounded edges and painted with non toxic varnish.

Removable furniture with rounded edges to prevent cuts or wounds.

Assembly through sleeves with zoom system, ensuring solid and rigid union. Adjustable shelves attached to the sides by special fixings capable of sustaining stress.

MOBeduc complies with TECNALIA Certification (Safety & Quality standards) in the manufacture of nursery and primary furniture.

TECNALIA offers a global service to the furniture sector by testing and certifying the behaviour of finished furniture and of each of its components with the following methodology:

- Initial inspection of our system of production and control.
- Initial test about the type of product.
- Surveillance, monitoring and evaluation of the quality system.
- Test of raw materials using random samples
- Test of finished product using random samples.



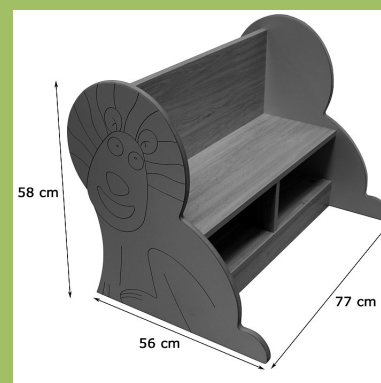
Colour of the structure

Beech (E18), White (E23).

Colour of the side

Cherry red (E10), Apple Green (E13), lavender blue (E14), yellow (E17), beech (E18), orange (E19).

Distributed by:



Measures:

Width 77 cm. – Height 58 cm. – Depth 56 cm.

Furniture for painting

11

Un gran diseño para los más pequeños



FURNITURE FOR PAINTING

Table for multiple purpose (Height 50 cm)



www.mobeduc.com



Ref.: 602201

Multiactivities table whose worktop of rounded corners has 2 central hollows and 2 covers, obtaining a smooth surface of work. 2 bays of trays and shelves for storage. Manufactured from 19 mm beech melamine, except rear (10mm) and 2mm PVC edges, finished for both sides. DM melamine 16 mm thick with rounded edges and painted with nontoxic paints. It has swivel castors (6 cm) with brakes to move it easily. Trays are included. Different Combinations can be made: two small trays can be replaced by a big one. Removable furniture with rounded edges to prevent cuts or wounds. Our furniture has no sharp edges making it extra safe for children. Assembly through sleeves with zoom system, ensuring solid and rigid union. MOBeduc complies with TECNALIA Certification (Safety & Quality standards) in the manufacture of nursery and primary furniture. TECNALIA offers a global service to the furniture sector by testing and certifying the behaviour of finished furniture and of each of its components with the following methodology: - Initial inspection of our system of production and control. - Initial test about the type of product. - Surveillance, monitoring and evaluation of the quality system. - Test of raw materials using random samples - Test of finished product using random samples.



E18

E10

E14

E17

E13

E19

Colour of the structure

Beech (E18)

Colours of the worktop

Beech (E18), Cherry red (E10), Lavander blue (E14), Yellow (E17), Apple green (E13), Orange (E19)

Trays colours

Red, Blue, Yellow, Green and Translucent.



Measures

Length 120 cm. Height 50 cm. Depth 60 cm.

Distributed by:

FURNITURE FOR PAINTING

Table for multiple purpose (Height 65 cm)



www.mobeduc.com



Ref.: 602202

Multiactivities table whose worktop of rounded corners has 2 central hollows and 2 covers, obtaining a smooth surface of work. 2 bays of trays and shelves for storage. Manufactured from 19 mm beech melamine, except rear (10mm) and 2mm PVC edges, finished for both sides. DM melamine 16 mm thick with rounded edges and painted with nontoxic paints. It has swivel castors (6 cm) with brakes to move it easily. Trays are included. Different Combinations can be made: two small trays can be replaced by a big one. Removable furniture with rounded edges to prevent cuts or wounds. Our furniture has no sharp edges making it extra safe for children. Assembly through sleeves with zoom system, ensuring solid and rigid union. MOBeduc complies with TECNALIA Certification (Safety & Quality standards) in the manufacture of nursery and primary furniture. TECNALIA offers a global service to the furniture sector by testing and certifying the behaviour of finished furniture and of each of its components with the following methodology: - Initial inspection of our system of production and control. - Initial test about the type of product. - Surveillance, monitoring and evaluation of the quality system. - Test of raw materials using random samples - Test of finished product using random samples.



E18

E10

E14

E17

E13

E19

Colour of the structure

Beech (E18)

Colours of the worktop

Beech (E18), Cherry red (E10), Lavander blue (E14), Yellow (E17), Apple green (E13), Orange (E19)

Trays colours

Red, Blue, Yellow, Green and Translucent.

Distributed by:



Measures

Length 120 cm. Height 65 cm. Depth 60 cm.

FURNITURE FOR PAINTING

Table for playing



www.mobeduc.com



Ref.: 602203

Squared table with 8 trays. Manufactured from beech melamine and 2mm PVC edges. It has swivel castors (6 cm) with brakes to move it easily. Trays included. With rounded edges to prevent cuts or wounds. Our furniture has no sharp edges making it extra safe for children. Assembly through sleeves with zoom system, ensuring solid and rigid union. Adjustable shelves attached to the the sides by special fixings capable of sustaining stress. MOBeduc complies with TECNALIA Certification (Safety & Quality standards) in the manufacture of nursery and primary furniture. TECNALIA offers a global service to the furniture sector by testing and certifying the behaviour of finished furniture and of each of its components with the following methodology: - Initial inspection of our system of production and control. - Initial test about the type of product. - Surveillance, monitoring and evaluation of the quality system. - Test of raw materials using random samples - Test of finished product using random samples.



Colour of the structure

Beech (E18)

Trays colours

Red, Blue, Yellow, Green and Translucent.

Colours of the top

Pink (E22), Dark blue (E20), Dark green (E21), White (E23), Beech (E18), Cherry red (E10), Lavander blue (E14), Yellow (E17), Apple green (E13), Orange (E19)

Distributed by:



Measures

Length 83 cm. Height 49 cm. Depth 83 cm.

FURNITURE FOR PAINTING

Double sided easel (2 children)



www.mobeduc.com



Colores bandejas

Beech (E18)

Colours of the panel

Beech (E18), Cherry red (E10), Lavander blue (E14), Yellow (E17), Apple green (E13), Orange (E19)

Ref.: 602204

Easel with two surfaces, for 2 children, with horizontal shelf on each side and with clips to hold paper. Manufactured from DM melamine (16 mm) board with rounded edges and painted with nontoxic paints. The horizontal shelf manufactured from 19 mm beech melamine and 2mm PVC edges. Assembly through sleeves with zoom system, ensuring solid and rigid union. Adjustable shelves attached to the sides by special fixings capable of sustaining stress. MOBeduc complies with TECNALIA Certification (Safety & Quality standards) in the manufacture of nursery and primary furniture. TECNALIA offers a global service to the furniture sector by testing and certifying the behaviour of finished furniture and of each of its components with the following methodology: - Initial inspection of our system of production and control. - Initial test about the type of product. - Surveillance, monitoring and evaluation of the quality system. - Test of raw materials using random samples - Test of finished product using random samples.



Measures

Length 60 cm. Height 98 cm. Depth 59 cm.

Distributed by:

FURNITURE FOR PAINTING

Double sided easel (4 children)



www.mobeduc.com



Ref.: 602205

Easel with two surfaces, for 4 children, with horizontal shelf on each side and with clips to hold paper. Manufactured from DM melamine (16 mm) board with rounded edges and painted with nontoxic paints. The horizontal shelf manufactured from 19 mm beech melamine and 2mm PVC edges. Assembly through sleeves with zoom system, ensuring solid and rigid union. Adjustable shelves attached to the sides by special fixings capable of sustaining stress. MOBeduc complies with TECNALIA Certification (Safety & Quality standards) in the manufacture of nursery and primary furniture. TECNALIA offers a global service to the furniture sector by testing and certifying the behaviour of finished furniture and of each of its components with the following methodology: - Initial inspection of our system of production and control. - Initial test about the type of product. - Surveillance, monitoring and evaluation of the quality system. - Test of raw materials using random samples - Test of finished product using random samples.



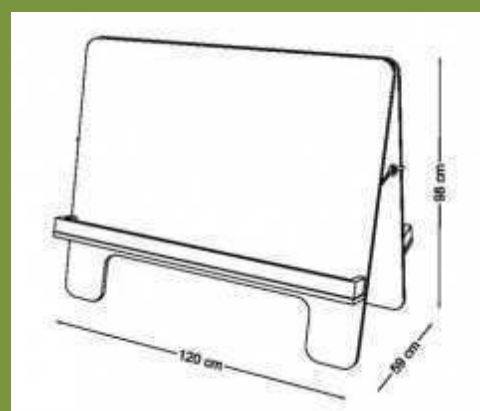
Colores bandejas

Beech (E18)

Colours of the panel

Beech (E18), Cherry red (E10), Lavander blue (E14), Yellow (E17), Apple green (E13), Orange (E19)

Distributed by:



Measures

Length 120 cm. Height 98 cm. Depth 59 cm.

FURNITURE FOR PAINTING

Trolley (Height: 58 cm)



www.mobeduc.com



Ref.: 600906

Trolley with storage space below. Manufactured from 19 mm beech melamine and 2mm PVC edges, finished for both sides. It has swivel castors (6 cm) with brakes to move it easily. Removable furniture with rounded edges to prevent cuts or wounds. Assembly through sleeves with zoom system, ensuring solid and rigid union. Adjustable shelves attached to the sides by special fixings capable of sustaining stress. MOBeduc complies with TECNALIA Certification (Safety & Quality standards) in the manufacture of nursery and primary furniture. TECNALIA offers a global service to the furniture sector by testing and certifying the behaviour of finished furniture and of each of its components with the following methodology: - Initial inspection of our system of production and control. - Initial test about the type of product. - Surveillance, monitoring and evaluation of the quality system. - Test of raw materials using random samples - Test of finished product using random samples.



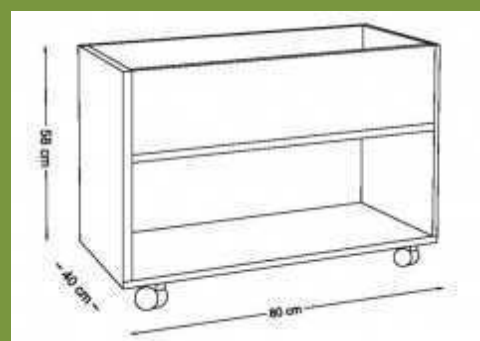
Colour of the structure

Beech (E18)

Colours of the front

Pink (E22), Dark blue (E20), Dark green (E21), White (E23), Beech (E18), Cherry red (E10), Lavander blue (E14), Yellow (E17), Apple green (E13), Orange (E19)

Distributed by:



Measures

Length 80 cm. Height 58 cm. Depth 40 cm.

FURNITURE FOR PAINTING

Trolley (Height: 27 cm)



www.mobeduc.com



Ref.: 600907

Trolley for storage. Manufactured from 19 mm beech melamine and 2mm PVC edges, finished for both sides. It has swivel castors (6 cm) with brakes to move it easily. Removable furniture with rounded edges to prevent cuts or wounds. Assembly through sleeves with zoom system, ensuring solid and rigid union. Adjustable shelves attached to the the sides by special fixings capable of sustaining stress. MOBeduc complies with TECNALIA Certification (Safety & Quality standards) in the manufacture of nursery and primary furniture. TECNALIA offers a global service to the furniture sector by testing and certifying the behaviour of finished furniture and of each of its components with the following methodology: - Initial inspection of our system of production and control. - Initial test about the type of product. - Surveillance, monitoring and evaluation of the quality system. - Test of raw materials using random samples - Test of finished product using random samples.



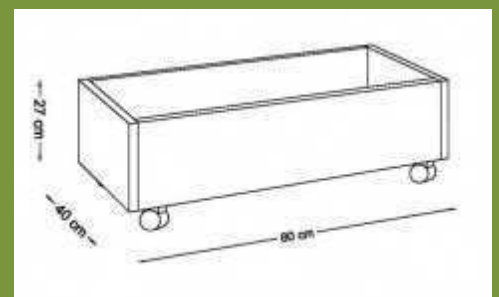
Colour of the structure

Beech (E18)

Colours of the front

Pink (E22), Dark blue (E20), Dark green (E21), White (E23), Beech (E18), Cherry red (E10), Lavender blue (E14), Yellow (E17), Apple green (E13), Orange (E19)

Distributed by:



Measures

Length 80 cm. Height 27 cm. Depth 40 cm.

FURNITURE FOR PAINTING

Paper storage trolley (Vertical)



www.mobeduc.com



Ref.: 602206

Double-sided trolley, one side with 3 compartments for paper, drawings, posters, paintings... and the other side with 3 shelves and central part to store painting materials. Manufactured from 19 mm beech melamine and 2mm PVC edges, finished for both sides. Swivel castors (6cm) with brakes to move it easily. Assembly through sleeves with zoom system, ensuring solid and rigid union. Adjustable shelves attached to the sides by special fixings capable of sustaining stress. MOBeduc complies with TECNALIA Certification (Safety & Quality standards) in the manufacture of nursery and primary furniture. TECNALIA offers a global service to the furniture sector by testing and certifying the behaviour of finished furniture and of each of its components with the following methodology: - Initial inspection of our system of production and control. - Initial test about the type of product. - Surveillance, monitoring and evaluation of the quality system. - Test of raw materials using random samples. - Test of finished product using random samples.



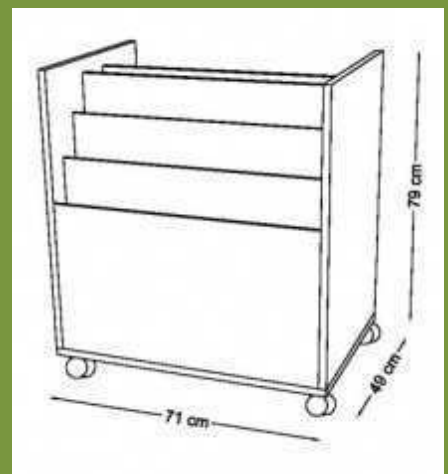
Colour of the structure

Beech (E18)

Colours of dividers

Pink (E22), Dark blue (E20), Dark green (E21), White (E23), Beech (E18), Cherry red (E10), Lavender blue (E14), Yellow (E17), Apple green (E13), Orange (E19)

Distributed by:



Measures

Length 71 cm. Height 79 cm. Depth 49 cm.

FURNITURE FOR PAINTING

Paper storage trolley (Vertical) + 1 bay of trays



www.mobeduc.com



Ref.: 602207

Double-sided trolley, one side with 3 compartments for paper, drawings, posters, paintings... and the other side with 3 shelves and central part to store painting materials AND 1 bay of trays. Manufactured from 19 mm beech melamine and 2mm PVC edges, finished for both sides. Swivel castors (6cm) with brakes to move it easily. Trays included. Different Combinations can be made: two small trays can be replaced by a big one. Assembly through sleeves with zoom system, ensuring solid and rigid union. Adjustable shelves attached to the sides by special fixings capable of sustaining stress. MOBeduc complies with TECNALIA Certification (Safety & Quality standards) in the manufacture of nursery and primary furniture. TECNALIA offers a global service to the furniture sector by testing and certifying the behaviour of finished furniture and of each of its components with the following methodology: - Initial inspection of our system of production and control. - Initial test about the type of product. - Surveillance, monitoring and evaluation of the quality system. - Test of raw materials using random samples. - Test of finished product using random samples.



Colour of the structure

Beech (E18)

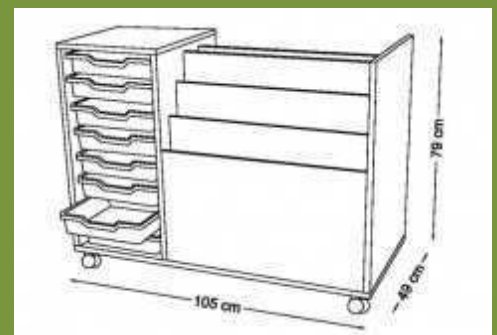
Colours of dividers

Pink (E22), Dark blue (E20), Dark green (E21), White (E23), Beech (E18), Cherry red (E10), Lavender blue (E14), Yellow (E17), Apple green (E13), Orange (E19)

Trays colours

Red, Blue, Yellow, Green and Translucent.

Distributed by:



Measures

Length 105 cm. Height 79 cm. Depth 49 cm.

FURNITURE FOR PAINTING

Paper storage furniture (Horizontal) - 10 paper units



www.mobeduc.com



Ref.: 600908

Piece of furniture with 10 compartments for paper, drawings, posters, paintings..., in horizontal position. Manufactured from 19 mm and 10 mm beech melamine and 2mm PVC edges, finished for both sides. We offer feet in two different heights: 4 cm and 8 cm high. Height adjustable feet are available for uneven floors and surfaces. Available with swivel castors. Rounded edges to prevent cuts or wounds. Assembly through sleeves with zoom system, ensuring solid and rigid union. MOBeduc complies with TECNALIA Certification (Safety & Quality standards) in the manufacture of nursery and primary furniture. TECNALIA offers a global service to the furniture sector by testing and certifying the behaviour of finished furniture and of each of its components with the following methodology: - Initial inspection of our system of production and control. - Initial test about the type of product. - Surveillance, monitoring and evaluation of the quality system. - Test of raw materials using random samples. - Test of finished product using random samples.

E18

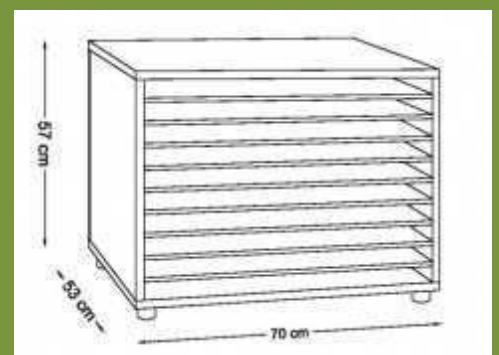
Colour of the structure

Beech (E18)

Colours of the shelves

Beech (E18)

Distributed by:



Measures

Length 70 cm. Height 57 cm. Depth 53 cm.

FURNITURE FOR PAINTING

Paper storage furniture (vertical) - 10 paper units



www.mobeduc.com



Ref.: 600909

Piece of furniture with 10 compartments for paper, drawings, posters, paintings..., in vertical position. Manufactured from 19 mm and 10 mm beech melamine and 2mm PVC edges, finished for both sides. Swivel castors (6 cm) with brakes to move it easily. Available with feet. Rounded edges to prevent cuts or wounds. Assembly through sleeves with zoom system, ensuring solid and rigid union. MOBeduc complies with TECNALIA Certification (Safety & Quality standards) in the manufacture of nursery and primary furniture. TECNALIA offers a global service to the furniture sector by testing and certifying the behaviour of finished furniture and of each of its components with the following methodology: - Initial inspection of our system of production and control. - Initial test about the type of product. - Surveillance, monitoring and evaluation of the quality system. - Test of raw materials using random samples. - Test of finished product using random samples.

E18

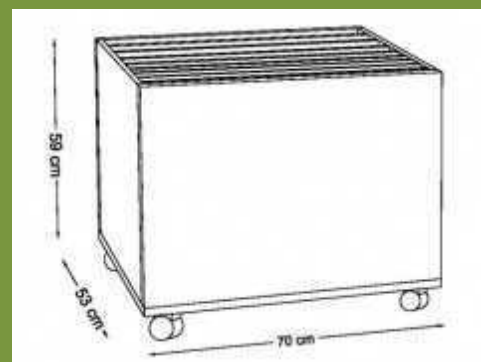
Colour of the structure

Beech (E18)

Colours of dividers

Beech (E18)

Distributed by:

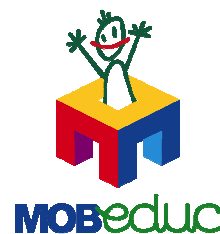


Measures

Length 70 cm. Height 59 cm. Depth 53 cm.

Furniture for painting

Shelving and 10 paper units



www.mobeduc.com



Ref.: 602213

Furniture shelving and 10 compartments for paper, drawings, posters, paintings...., in horizontal position. Manufactured from 19 mm beech melamine, except rear and shelves (10mm), and 2mm PVC edges, finished for both sides. We offer feet in two different heights: 4 cm and 8 cm high. Height adjustable feet are available for uneven floors and surfaces.

Removable furniture with rounded edges to prevent cuts or wounds. Our furniture has no sharp edges making it extra safe for children.

Assembly through sleeves with zoom system, ensuring solid and rigid union. Adjustable shelves attached to the sides by special fixings capable of sustaining stress.

MOBeduc complies with TECNALIA Certification (Safety & Quality standards) in the manufacture of nursery and primary furniture.

TECNALIA offers a global service to the furniture sector by testing and certifying the behaviour of finished furniture and of each of its components with the following methodology:

- Initial inspection of our system of production and control.
- Initial test about the type of product.
- Surveillance, monitoring and evaluation of the quality system.
- Test of raw materials using random samples
- Test of finished product using random samples.



Colour of structure

Beech (E18) and white (E23).

Colour of the shelves

Cherry red (E10), apple green (E13), lavender blue (E14), yellow (E17), beech (E18), orange (E19), dark blue (E20), dark green (E21), pink (E22) and white (E23).

Distributed by:

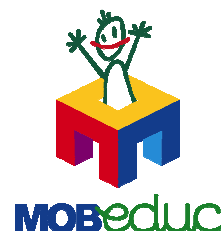


Measures

Width 105 cm. – Height 76,5 cm. – Depth 53 cm

Furniture for painting

Cupboard and 10 paper units



www.mobeduc.com



Ref.: 602214

Furniture shelving and 10 compartments for paper, drawings, posters, paintings...., in horizontal position. Manufactured from 19 mm beech melamine, door (16 mm) rear and shelves (10mm), and 2mm PVC edges, finished for both sides. We offer feet in two different heights: 4 cm and 8 cm high. Height adjustable feet are available for uneven floors and surfaces. Internal door to prevent finger trapping for maximum safety and door handle are made in a flexible soft polymer to prevent children to be hurt when falling. Removable furniture with rounded edges to prevent cuts or wounds. Our furniture has no sharp edges making it extra safe for children.

Assembly through sleeves with zoom system, ensuring solid and rigid union. Adjustable shelves attached to the sides by special fixings capable of sustaining stress.

MOBeduc complies with TECNALIA Certification (Safety & Quality standards) in the manufacture of nursery and primary furniture.

TECNALIA offers a global service to the furniture sector by testing and certifying the behaviour of finished furniture and of each of its components with the following methodology:

- Initial inspection of our system of production and control.
- Initial test about the type of product.
- Surveillance, monitoring and evaluation of the quality system.
- Test of raw materials using random samples
- Test of finished product using random samples.



Colour of structure

Beech (E18) and white (E23).

Colour of the door

Cherry red (E10), apple green (E13), lavender blue (E14), yellow (E17), beech (E18), orange (E19), dark blue (E20), dark green (E21), pink (E22) and white (E23).

Distributed by:

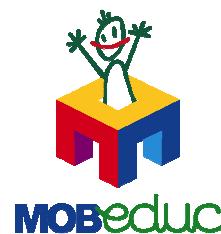


Measures

Width 105 cm. – Height 76,5 cm. – Depth 53 cm

Furniture for painting

1 bays of trays and 10 papel units



www.mobeduc.com



Ref.: 602215

Furniture shelving and 10 compartments for paper, drawings, posters, paintings...., in horizontal position. Manufactured from 19 mm beech melamine, except rear and shelves (10mm), and 2mm PVC edges, finished for both sides. We offer feet in two different heights: 4 cm and 8 cm high. Height adjustable feet are available for uneven floors and surfaces.

Trays included. Different combinations can be made: two small trays can be replaced by a big one.

Removable furniture with rounded edges to prevent cuts or wounds. Our furniture has no sharp edges making it extra safe for children.

Assembly through sleeves with zoom system, ensuring solid and rigid union.

MOBeduc complies with TECNALIA Certification (Safety & Quality standards) in the manufacture of nursery and primary furniture.

TECNALIA offers a global service to the furniture sector by testing and certifying the behaviour of finished furniture and of each of its components with the following methodology:

- Initial inspection of our system of production and control.
- Initial test about the type of product.
- Surveillance, monitoring and evaluation of the quality system.
- Test of raw materials using random samples
- Test of finished product using random samples.



E18

E23

Colour of structure

Beech (E18) and white (E23).

Trays colours

Red, blue, yellow and Green.

Different combinations can be made:

two small trays can be replaced by big one.

Distributed by:



Measures

Width 105 cm. – Height 76,5 cm. – Depth 53 cm

FURNITURE FOR PAINTING

Paper storage furniture (Horizontal) – 20 paper units



www.mobeduc.com



Ref.: 602208

Piece of furniture with 20 compartments for paper, drawings, posters, paintings...., in horizontal position, manufactured from 19 mm and 10 mm beech melamine, rear (10mm) and 2mm PVC edges, finished for both sides. We offer feet in two different heights: 4 cm and 8 cm high. Height adjustable feet are available for uneven floors and surfaces. Furniture with rounded edges to prevent cuts or wounds. MOBeduc complies with TECNALIA Certification (Safety & Quality standards) in the manufacture of nursery and primary furniture. TECNALIA offers a global service to the furniture sector by testing and certifying the behaviour of finished furniture and of each of its components with the following methodology: - Initial inspection of our system of production and control. - Initial test about the type of product. - Surveillance, monitoring and evaluation of the quality system. - Test of raw materials using random samples. - Test of finished product using random samples.



E18

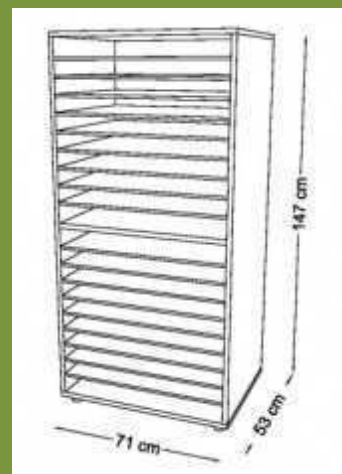
Colour of the structure

Beech (E18)

Colours of the shelves

Beech (E18)

Distributed by:



Measures

Length 71 cm. Height 147 cm. Depth 53 cm.

FURNITURE FOR PAINTING

Storage furniture with compartments



www.mobeduc.com



Ref.: 602209

Piece of furniture with 10 compartments for paper, drawings, posters, paintings...., in horizontal position and 20 compartments on the upper side. Manufactured from 19 mm beech melamine, except rear (10mm) and 2mm PVC edges, finished for both sides. We offer feet in two different heights: 4 cm and 8 cm high. Height adjustable feet are available for uneven floors and surfaces. Furniture with rounded edges to prevent cuts or wounds. Assembly through sleeves with zoom system, ensuring solid and rigid union. Adjustable shelves attached to the sides by special fixings capable of sustaining stress. MOBeduc complies with TECNALIA Certification (Safety & Quality standards) in the manufacture of nursery and primary furniture. TECNALIA offers a global service to the furniture sector by testing and certifying the behaviour of finished furniture and of each of its components with the following methodology: - Initial inspection of our system of production and control. - Initial test about the type of product. - Surveillance, monitoring and evaluation of the quality system. - Test of raw materials using random samples. - Test of finished product using random samples.

E18

Colour of the structure

Beech (E18)

Colours of the shelves

Beech (E18)



Measures

Length 71 cm. Height 147 cm. Depth 53 cm.

Distributed by:

FURNITURE FOR PAINTING

Cupboard and paper storage furniture



www.mobeduc.com



Ref.: 602210

Cupboard and piece of furniture with 10 compartments for paper, drawings, posters, paintings...., in horizontal position and 3 vertical compartments. Manufactured from 19 mm beech melamine, except rear (10mm), doors (16mm) and 2mm PVC edges, finished for both sides. We offer feet in two different heights: 4 cm and 8 cm high. Height adjustable feet are available for uneven floors and surfaces. Internal doors to prevent finger trapping for maximum safety and door handles are made in a flexible soft polymer to prevent children to be hurt when falling. Furniture with rounded edges to prevent cuts or wounds. Our furniture has no sharp edges making it extra safe for children. Assembly through sleeves with zoom system, ensuring solid and rigid union. Adjustable shelves attached to the sides by special fixings capable of sustaining stress. MOBeduc complies with TECNALIA Certification (Safety & Quality standards) in the manufacture of nursery and primary furniture. TECNALIA offers a global service to the furniture sector by testing and certifying the behaviour of finished furniture and of each of its components with the following methodology: - Initial inspection of our system of production and control. - Initial test about the type of product. - Surveillance, monitoring and evaluation of the quality system. - Test of raw materials using random samples. - Test of finished product using random samples.



Colour of the structure

Beech (E18)

Colours of the doors

Pink (E22), Dark blue (E20), Dark green (E21), White (E23), Beech (E18), Cherry red (E10), Lavander blue (E14), Yellow (E17), Apple green (E13), Orange (E19)

Distributed by:



Measures

Length 90 cm. Height 147 cm. Depth 53 cm.

FURNITURE FOR PAINTING

Cupboard and paper storage furniture (90 cm)



www.mobeduc.com



Ref.: 602211

Cupboard and piece of Furniture with 10 compartments for paper , drawings, posters, paintings...., in horizontal position and 3 vertical compartments. Manufactured from 19 mm beech melamine, except rear (10mm), doors (16mm) and 2mm PVC edges, finished for both sides. We offer feet in two different heights: 4 cm and 8 cm high. Height adjustable feet are available for uneven floors and surfaces. Internal doors to prevent finger trapping for maximum safety and door handles are made in a flexible soft polymer to prevent children to be hurt when falling. Removable furniture with rounded edges to prevent cuts or wounds. Our furniture has no sharp edges making it extra safe for children. Assembly through sleeves with zoom system, ensuring solid and rigid union. Adjustable shelves attached to the sides by special fixings capable of sustaining stress. MOBeduc complies with TECNALIA Certification (Safety & Quality standards) in the manufacture of nursery and primary furniture. TECNALIA offers a global service to the furniture sector by testing and certifying the behaviour of finished furniture and of each of its components with the following methodology: - Initial inspection of our system of production and control. - Initial test about the type of product. - Surveillance, monitoring and evaluation of the quality system. - Test of raw materials using random samples. - Test of finished product using random samples.



Colour of the structure

Beech (E18)

Colours of the doors

Pink (E22), Dark blue (E20), Dark green (E21), White (E23), Beech (E18), Cherry red (E10), Lavander blue (E14), Yellow (E17), Apple green (E13), Orange (E19)

Distributed by:



Measures

Length 90 cm. Height 147 cm. Depth 53 cm.

FURNITURE FOR PAINTING

Cupboard and paper storage furniture (105 cm)



www.mobeduc.com



Ref.: 602212

Cupboard and piece of furniture with 10 compartments for paper, drawings, posters, paintings...., in horizontal position and 3 vertical compartments. Manufactured from 19 mm beech melamine, except rear (10mm), doors (16mm) and 2mm PVC edges, finished for both sides. We offer feet in two different heights: 4 cm and 8 cm high. Height adjustable feet are available for uneven floors and surfaces. Internal doors to prevent finger trapping for maximum safety and door handles are made in a flexible soft polymer to prevent children to be hurt when falling. Removable furniture with rounded edges to prevent cuts or wounds. Our furniture has no sharp edges making it extra safe for children. Assembly through sleeves with zoom system, ensuring solid and rigid union. Adjustable shelves attached to the sides by special fixings capable of sustaining stress. MOBeduc complies with TECNALIA Certification (Safety & Quality standards) in the manufacture of nursery and primary furniture. TECNALIA offers a global service to the furniture sector by testing and certifying the behaviour of finished furniture and of each of its components with the following methodology: - Initial inspection of our system of production and control. - Initial test about the type of product. - Surveillance, monitoring and evaluation of the quality system. - Test of raw materials using random samples. - Test of finished product using random samples.



Colour of the structure

Beech (E18)

Colours of the doors

Pink (E22), Dark blue (E20), Dark green (E21), White (E23), Beech (E18), Cherry red (E10), Lavander blue (E14), Yellow (E17), Apple green (E13), Orange (E19)



Measures

Length 105 cm. Height 147 cm. Depth 53 cm.

Distributed by:

Furniture for indoor play area

12

Un gran diseño para los más pequeños



MOBeduc

FURNITURE FOR PLAYING

Bridge



www.mobeduc.com



Ref.: 601101

Structure formed by stairs, platform and ramp, with low type tunnel. Manufactured from 19 mm beech melamine and 2mm PVC edges. DM sides of melamine 16 mm thick with rounded edges and painted with nontoxic paints. Assembly through sleeves with zoom system, ensuring solid and rigid union. MOBeduc complies with TECNALIA Certification (Safety & Quality standards) in the manufacture of nursery and primary furniture. TECNALIA offers a global service to the furniture sector by testing and certifying the behaviour of finished furniture and of each of its components with the following methodology: - Initial inspection of our system of production and control. - Initial test about the type of product. - Surveillance, monitoring and evaluation of the quality system. - Test of raw materials using random samples - Test of finished product using random samples. Objective: Exercise the child's motor functions taking up and down stairs and ramp, even crawling. The result is a fun play.



Colour of the structure

Beech (E18)

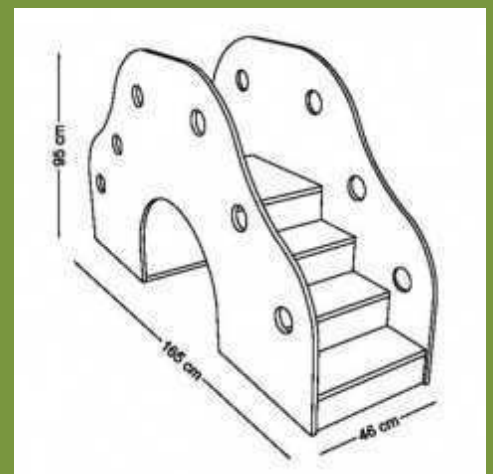
Colours of the end panels

Beech (E18), Cherry red (E10), Lavander blue (E14), Yellow (E17), Apple green (E13), Orange (E19)

Objective

Exercise the child's motor functions taking up and down stairs and ramp, even crawling. The result is a fun play.

Distributed by:



Measures

Length 46 cm. Height 95 cm. Depth 165 cm.

FURNITURE FOR PLAYING

Little house to play



www.mobeduc.com



E18

E10

E14

E17

E13

E19

Colour of the structure

Beech (E18)

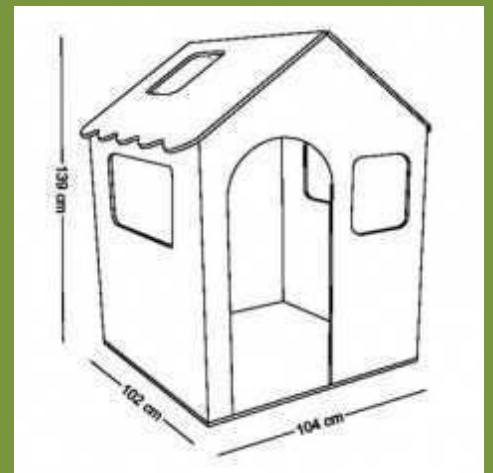
Colours of the roof

Beech (E18), Cherry red (E10), Lavander blue (E14), Yellow (E17), Apple green (E13), Orange (E19)

Distributed by:

Ref.: 601102

Little house with door and windows in all its sides, to facilitate the vision of the educators of the whole interior from out of the little house; interior with mirror, extending the possibilities of game. Walls and roof decorated with bricks and simulation of tiles, respectively. Manufactured from DM melamine 16 mm thick with rounded edges and painted with nontoxic paints and 19 mm beech melamine with 2mm PVC edges. Assembly through sleeves with zoom system, ensuring solid and rigid union. MOBeduc complies with TECNALIA Certification (Safety & Quality standards) in the manufacture of nursery and primary furniture. TECNALIA offers a global service to the furniture sector by testing and certifying the behaviour of finished furniture and of each of its components with the following methodology: - Initial inspection of our system of production and control. - Initial test about the type of product. - Surveillance, monitoring and evaluation of the quality system. - Test of raw materials using random samples - Test of finished product using random samples.

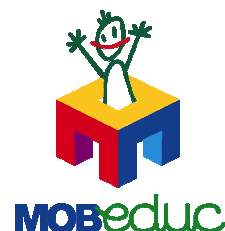


Measures

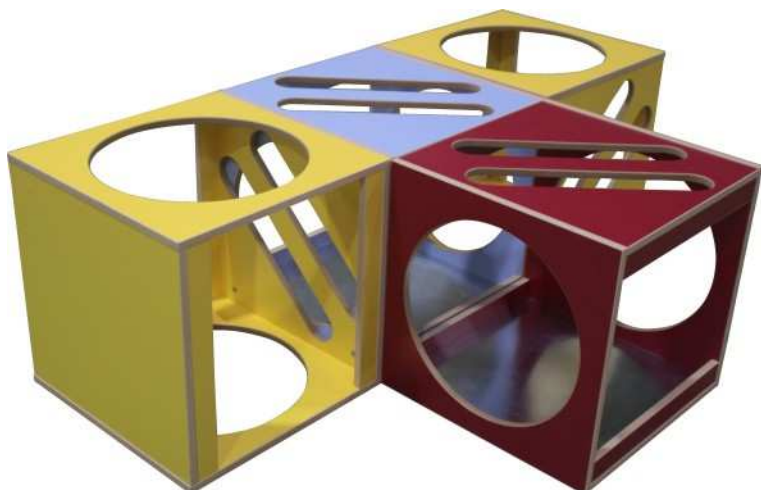
Length 104 cm. Height 139 cm. Depth 102 cm.

Furniture for playing

Individual play cube



www.mobeduc.com



Colours

Cherry red (E10), Apple Green (E13), lavender blue (E14), yellow (E17), beech (E18), orange (E19).

Distributed by:

Ref.: 601103

Manufactured from melamine MDF 16 mm with rounded edges and painted with non toxic varnish.

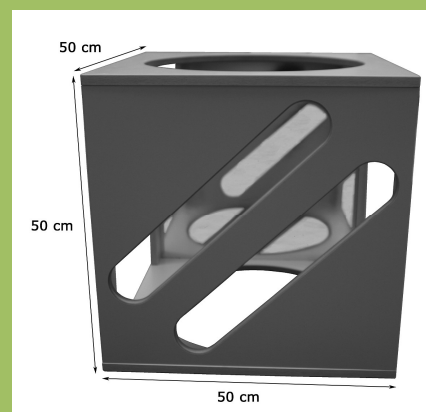
Open sides with different designs and secure mirror inside with back, without detachments in case of break.

Removable furniture with rounded edges to prevent cuts or wounds.

Assembly through sleeves with zoom system, ensuring solid and rigid union.

TECNALIA offers a global service to the furniture sector by testing and certifying the behaviour of finished furniture and of each of its components with the following methodology:

- Initial inspection of our system of production and control.
- Initial test about the type of product.
- Surveillance, monitoring and evaluation of the quality system.
- Test of raw materials using random samples
- Test of finished product using random samples.



Measures:

Width 50 cm. – Height 50 cm. – Depth 50 cm.

Commitment

Our company

Technical characteristics

Service

Our furniture

Classroom furniture

- Super low furniture (High 42 cm)
- Low furniture (High 76,5 cm)
- Intermedium size furniture (High 112 cm)
- Medium size furniture (High 147 cm)
- High furniture (High 180 cm)
- Folding tables

Furniture for teachers

Furniture for babies (0-1 years)

Furniture for hygiene

Furniture for others purposes

Identity area furniture

Symbolic game furniture

Furniture for audio equipment

Lockers

Furniture for library

Furniture for painting

Furniture for playing

Epilogue



EX
E
b
R

MOBeduc

We hope that you have found our products and solutions, interesting and effective for you.

We would like to thank you for your confidence.

Moreover, we expect that this first contact you have had with us, will be a lasting relationship over time.

Finally we would like to know your comments and suggestions so that we, together, could enrich this amazing child and school sector where we work.

THANKS



www.mobeduc.com

Creaciones Falcón, S.L.U.

Vía romana, s/n

31520 Cascante · Navarra · SPAIN

Tel.: +34 948 850 384 · +34 948 850 397

Fax: +34 948 850 397

export@mobeduc.com

www.mobeduc.com

